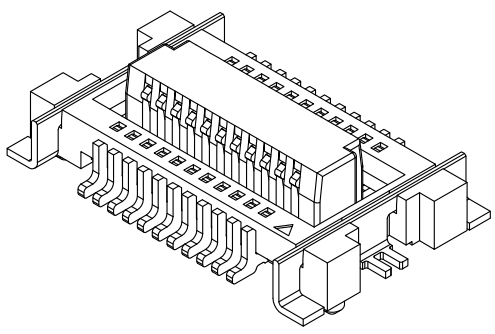
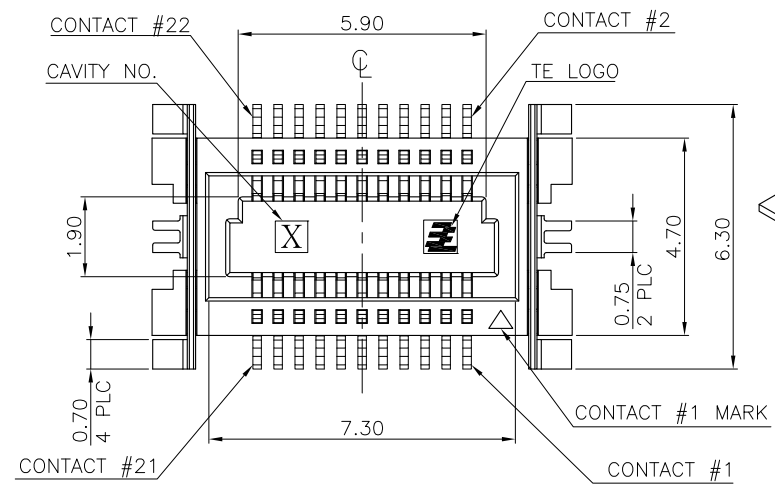


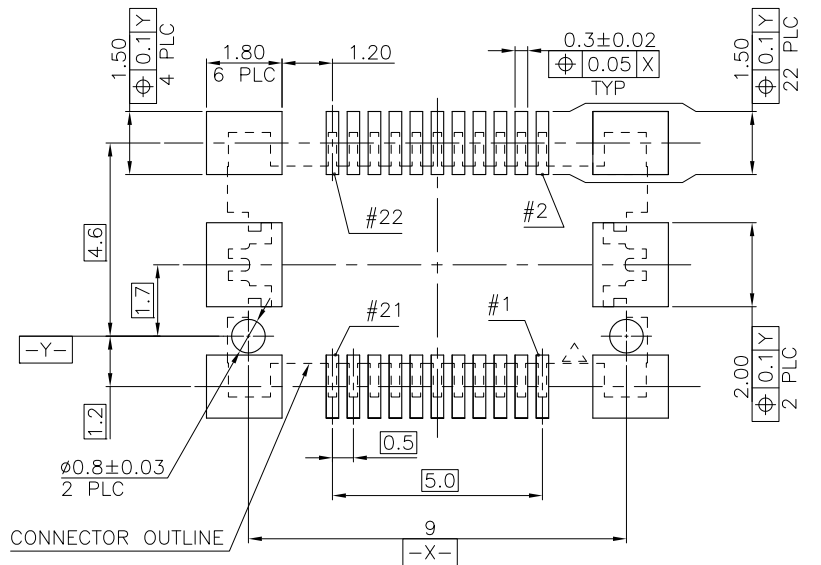
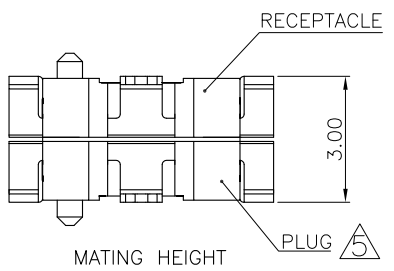
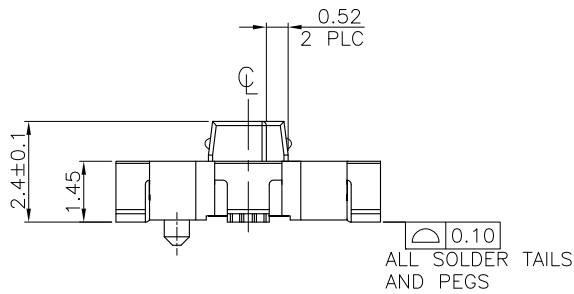
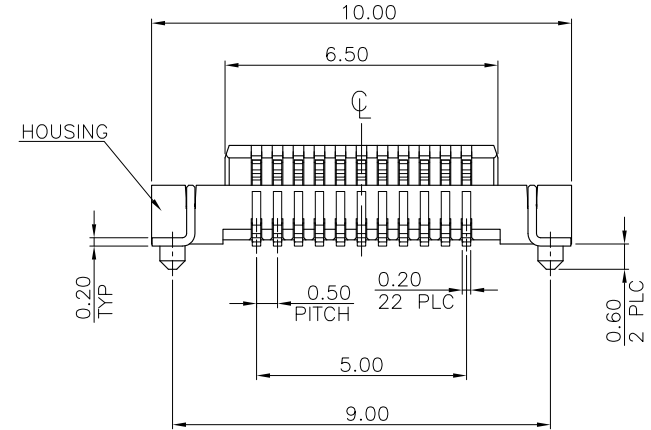
THIS DRAWING IS UNPUBLISHED. RELEASED FOR PUBLICATION
 © COPYRIGHT 2010 BY TYCO ELECTRONICS CORPORATION. ALL RIGHTS RESERVED.

LOC	DIST	REVISIONS					
		P	LTR	DESCRIPTION	DATE	DWN	APVD
DW	-	B		ECR-13-001067	18JAN13	AW	WK



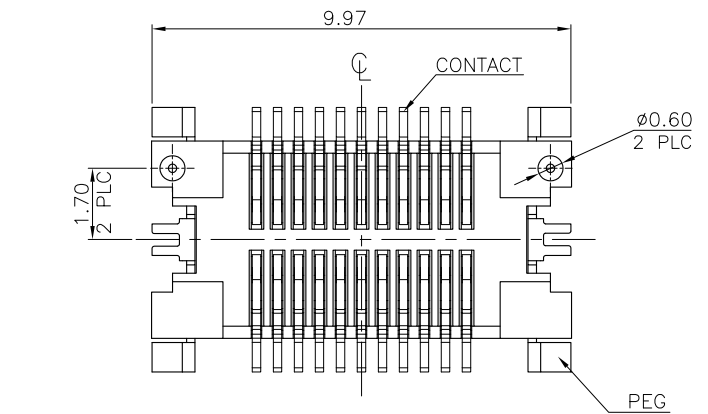
NOTES:

- MATERIAL:
HOUSING: LCP WITH 35% GF, UL94 V-0, NATURAL COLOR.
CONTACTS: PHOSPHOR BRONZE.
PEGS: BRASS.
 - FINISH:
CONTACTS: 0.0254µm [1µ"] MIN. GOLD PLATED OVER 1.27µm [50µ"] MIN. NICKEL ON ENTIRE CONTACT.
PEGS: 3.05µm [120µ"] MIN. MATTE-TIN OVER 1.27µm [50µ"] MIN. NICKEL.
 - REFLOW SOLDER CAPABLE TO 260°C PER TEC-109-201, CONDITION B.
 - SUBSTANCE RESTRICTIONS FOR LOW HALOGEN (BY WEIGHT):
BROMINE (Br) ≤ 900 PPM (0.09%)
CHLORINE (Cl) ≤ 900 PPM (0.09%)
TOTAL CONCENTRATION OF CHLORINE (Cl) + BROMINE (Br) ≤ 1500 PPM (0.15%)
- ⚠ MATING PLUG PART NUMBER: 2041301-1.



TOLERANCE: ±0.05
 RECOMMENDED PCB LAYOUT
 (TOP VIEW)

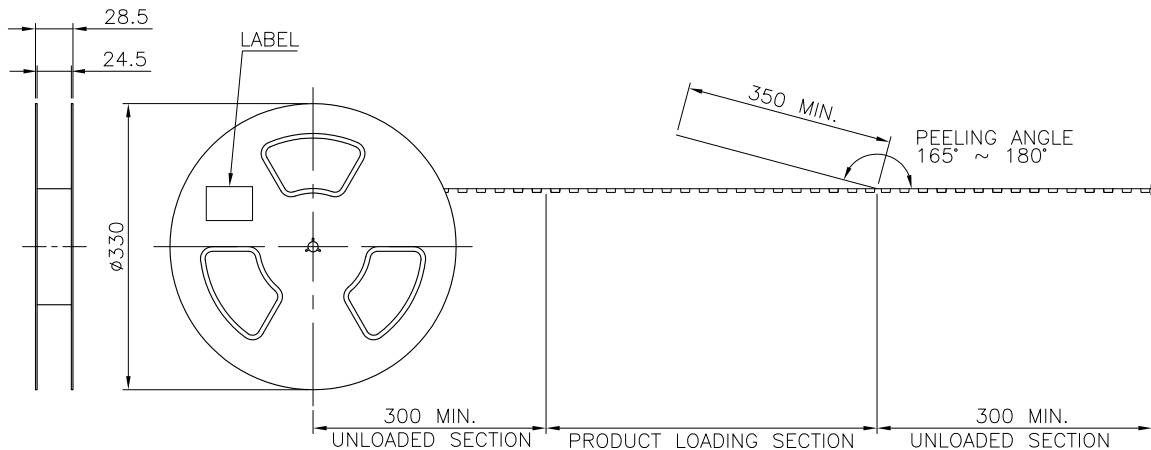
2041300-1
 PART NUMBER



THIS DRAWING IS A CONTROLLED DOCUMENT.		DWN	A. WU	02NOV2010	TE Connectivity NAME 0.5 PITCH BOARD-TO-BOARD CONNECTOR, SMT, 22 POSITION, RECEPTACLE			
DIMENSIONS: MM		CHK	S. CHIEN	02NOV2010				
TOLERANCES UNLESS OTHERWISE SPECIFIED:		APVD	W. KODAMA	02NOV2010				
0 PLC ±0.5 1 PLC ±0.3 2 PLC ±0.2 3 PLC ±0.15 4 PLC ±0.1 ANGLES ± 3°		PRODUCT SPEC	108-57849					
MATERIAL	SEE NOTE	APPLICATION SPEC	-		SIZE	CAGE CODE	DRAWING NO	RESTRICTED TO
MATERIAL		WEIGHT		0.174 GRAMS	A3	00779	C=2041300	-
FINISH		CUSTOMER DRAWING		SCALE		SHEET	1 of 2	REV B

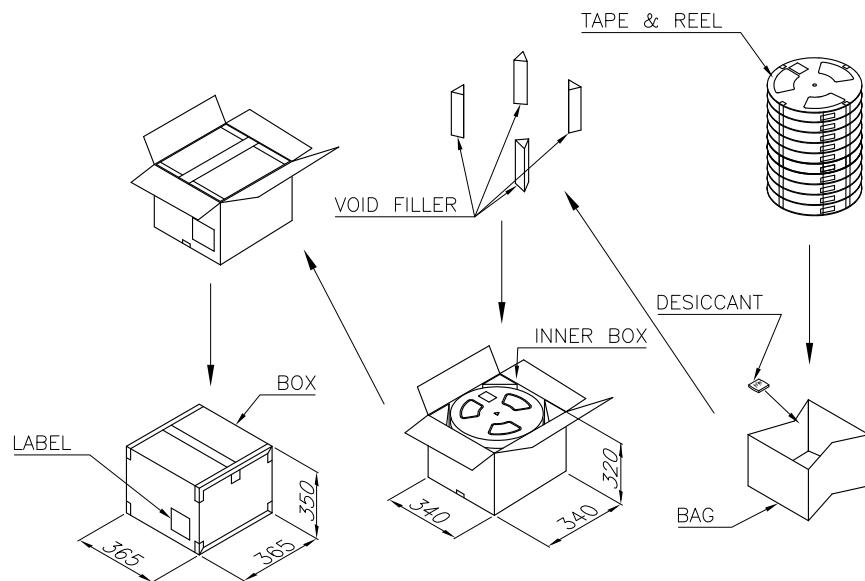
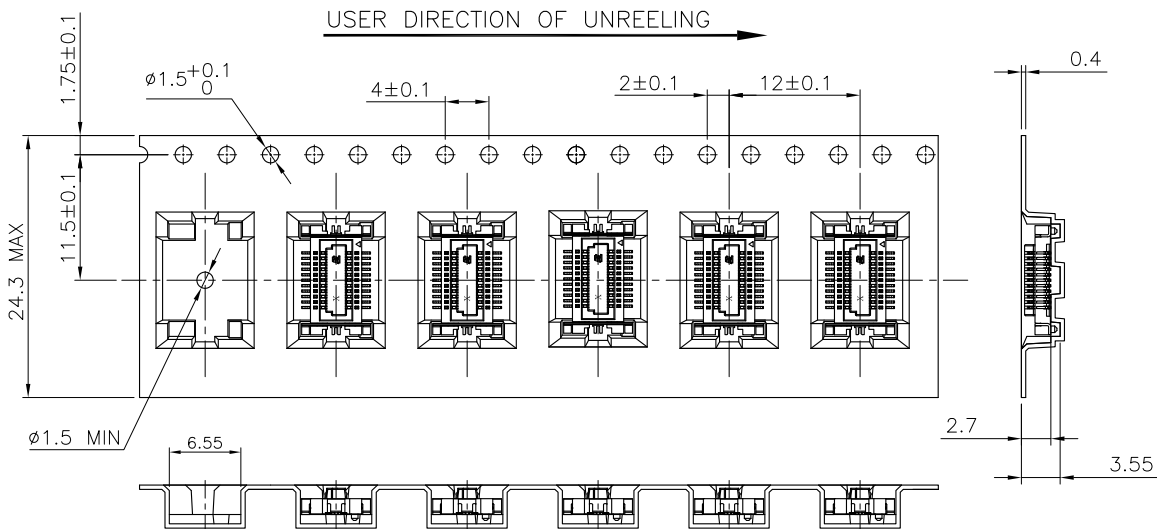
THIS DRAWING IS UNPUBLISHED. RELEASED FOR PUBLICATION
 © COPYRIGHT 2010 BY TYCO ELECTRONICS CORPORATION. ALL RIGHTS RESERVED.

LOC	DIST	REVISIONS					
DW	-	P	LTR	DESCRIPTION	DATE	DWN	APVD
				SEE SHEET 1.			



NOTES:

- MATERIAL:
 BOX: FIBREBOARD, CORRUGATED, DOUBLE WALL.
 COVER TAPE: PET, TRANSPARENT COLOR.
 CARRIER TAPE: POLYSTYRENES, TRANSPARENT COLOR.
 REEL: HIPS, BLUE COLOR.
 BAG: POLYETHYLENES, TRANSPARENT COLOR.
- EACH BAG SHALL BE INCLUDED DESICCANT.
- PEELING STRENGTH: 0.1 ~ 1.3 N (10 ~ 130 GRAMS).
- PEELING SPEED: 300 mm/min.



1500	10	15000 PCS	7.51 KG	2.61 KG
PCS/ TAPE	REELS/ BOX	QUANTITY	GROSS WEIGHT	NET WEIGHT

THIS DRAWING IS A CONTROLLED DOCUMENT.

DWN A. WU	02NOV2010	TE Connectivity 0.5 PITCH BOARD-TO-BOARD CONNECTOR, SMT, 22 POSITION, RECEPTACLE	RESTRICTED TO		
CHK S. CHIEN	02NOV2010				
APVD W. KODAMA	02NOV2010				
NAME PRODUCT SPEC					
APPLICATION SPEC		SIZE	CAGE CODE	DRAWING NO	RESTRICTED TO
WEIGHT		A3	00779	C=2041300	-
MATERIAL		CUSTOMER DRAWING		SCALE	SHEET
FINISH				-	2 of 2
					REV B