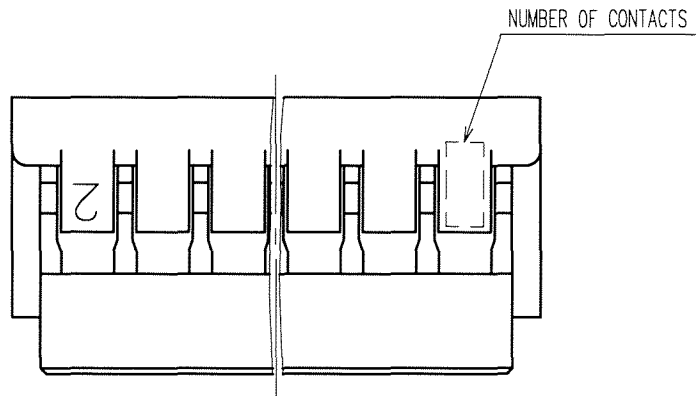
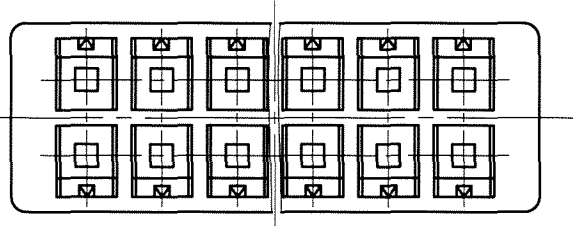
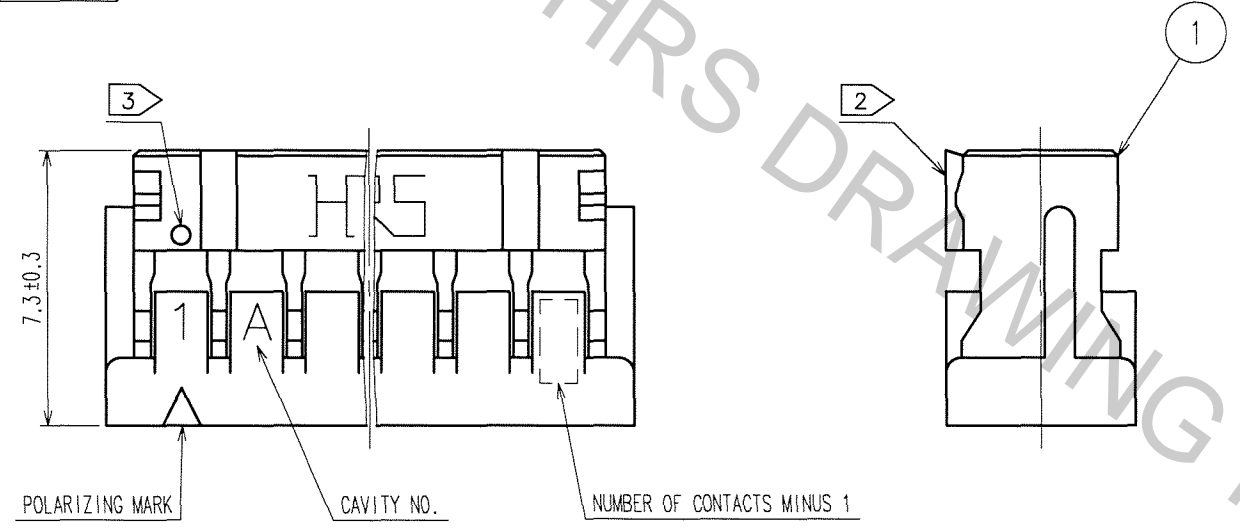
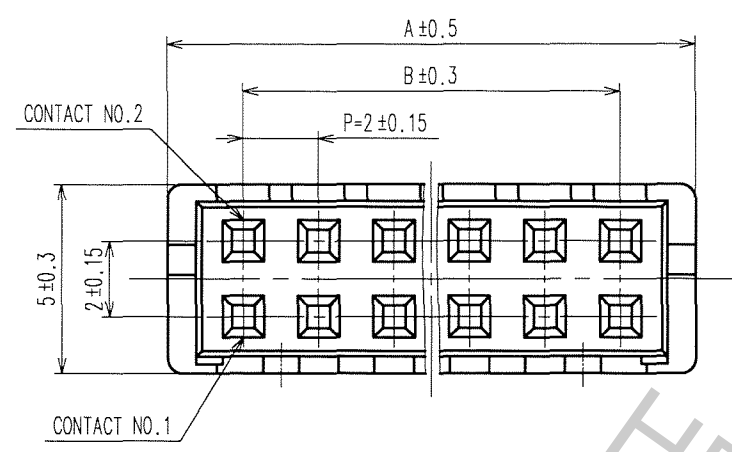


Apr.1.2017 Copyright 2017 HIROSE ELECTRIC CO., LTD. All Rights Reserved.

COUNT	DESCRIPTION OF REVISIONS	BY	CHKD	DATE	COUNT	DESCRIPTION OF REVISIONS	BY	CHKD	DATE
△				..	△				..
△				..	△				..
△				..	△				..



HRS No.	PART No.	NUMBER OF CONTACT	A	B
CL543-0568-6-20	DF11- 4DS-2C(20)	4	6.0	2.0
CL543-0502-8-20	DF11- 6DS-2C(20)	6	8.0	4.0
CL543-0503-0-20	DF11- 8DS-2C(20)	8	10.0	6.0
CL543-0504-3-20	DF11-10DS-2C(20)	10	12.0	8.0
CL543-0505-6-20	DF11-12DS-2C(20)	12	14.0	10.0
CL543-0506-9-20	DF11-14DS-2C(20)	14	16.0	12.0
CL543-0507-1-20	DF11-16DS-2C(20)	16	18.0	14.0
CL543-0508-4-20	DF11-18DS-2C(20)	18	20.0	16.0
CL543-0509-7-20	DF11-20DS-2C(20)	20	22.0	18.0
CL543-0510-6-20	DF11-22DS-2C(20)	22	24.0	20.0
CL543-0511-9-20	DF11-24DS-2C(20)	24	26.0	22.0
CL543-0512-1-20	DF11-26DS-2C(20)	26	28.0	24.0
CL543-0513-4-20	DF11-28DS-2C(20)	28	30.0	26.0
CL543-0514-7-20	DF11-30DS-2C(20)	30	32.0	28.0
CL543-0515-0-20	DF11-32DS-2C(20)	32	34.0	30.0

NOTE 1 1 PACK : 100 CONNECTORS.
 ② THIS PRODUCT IS THE STRENGTHENED LOCK TYPE.
 ③ THE MARK IN RELIEF INDICATES THE LOCK SHAPE.

TO

CODE NO.(OLD) CL	DRAWN A.Miura '06.09.26	DESIGNED N. Hirose '06.09.28	CHECKED H. Umehara '06.09.29	APPROVED J. Omi '06.09.29	RELEASED
DRAWING NO. EDC3-162389-02		PART NO. DF11-*DS-2C(20)			
SCALE 5 : 1	UNITS mm		CODE NO. CL543-		1/1