

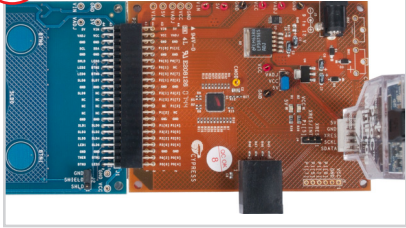
1



1. Insert the kit DVD in the CD/DVD drive.
2. Install the kit content, PSoC Designer and PSoC Programmer.

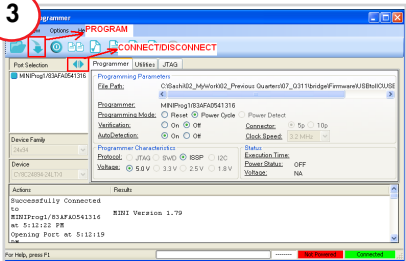
Note The hardware prerequisites for this kit are any CY3280 Universal CapSense Controller (UCC) board, such as the latest CY3280-20x66 DVK, and MiniProg1.

2



1. Connect the CY3280-SRM board to the CY3280-20x34 UCC board's P2 connector.
2. In the CY3280-20x34 board, place the jumper on header J1 to short pins 2 and 3.
3. In the CY3280-SRM board, place the jumper on header J2 to short pins 2 and 3.

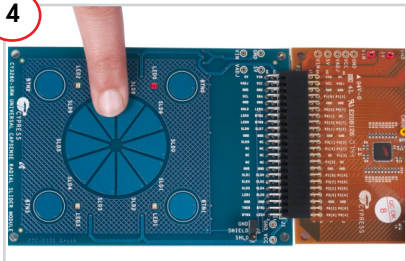
3



1. Connect MiniProg1 to the CY3280-20x34 UCC board's ISSP connector (J3). Connect it to your PC using a USB cable.
2. Open PSoC Programmer and click File > File load. Browse and load the CY3280_SRM_20x34.hex file*.
3. Click Connect; connect MiniProg1 to PC.
4. Click Program button to program the device.
5. Click Toggle button to power the board.

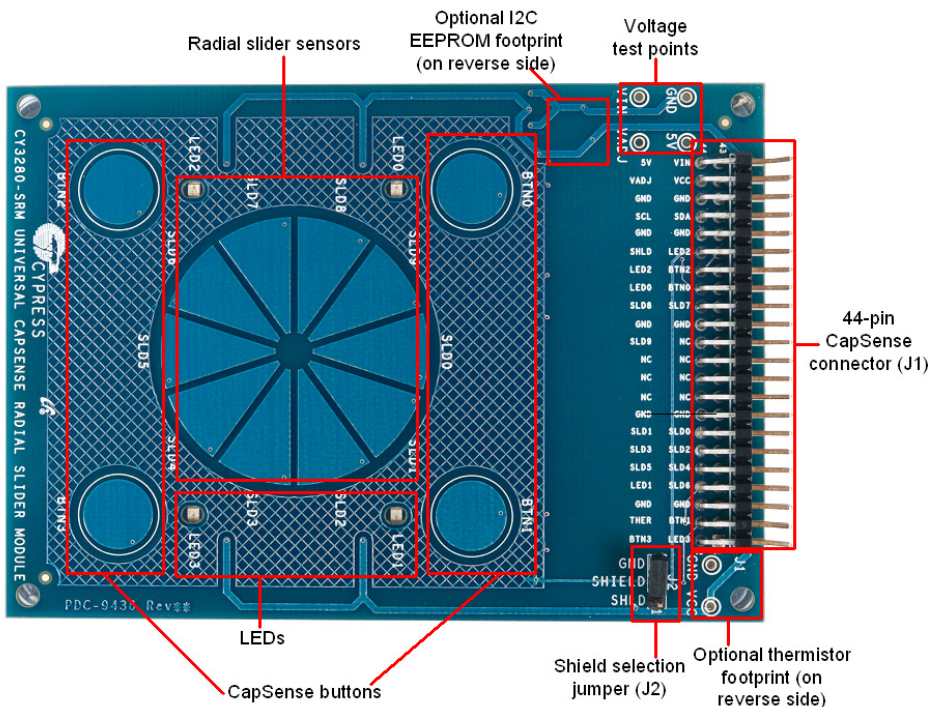
* **Note** These files are located at: <Install directory>\Cypress\CY3280-SRM\<version>\Firmware\20x34_CSA\PD project 1\CY3280_SRM_20x34\CY3280_SRM_20x34.hex

4



1. Touch and move the radial slider on the CY3280-SRM module board. The corresponding LEDs on the CY3280-SRM board light up.
2. Touch a button. The corresponding LED on the CY3280-SRM module board lights up.
3. You can touch multiple buttons at the same time. The radial slider and buttons can be used at the same time.

CY3280-SRM Kit Details



Notes

- For more details on code examples, refer to the PDF file along with the project in the Firmware folder (for example, *Readme_SRM_21x34_CSD PD1.pdf*) in the following directory:
 <Install directory>\Cypress\CY3280-SRM\<version>\Firmware\21x34_CSD\PD project 1.
- CY3280-SRM can be used with any of the following UCCs:
 1. CY3280- 20x66
 2. CY3280- 24x94
 3. CY3280- 21x34 (ordering part number is CY3280-BK1)

For the latest information about this kit visit
www.cypress.com/go/CY3280-SRM

