

DWG. NO. SD-35439-001

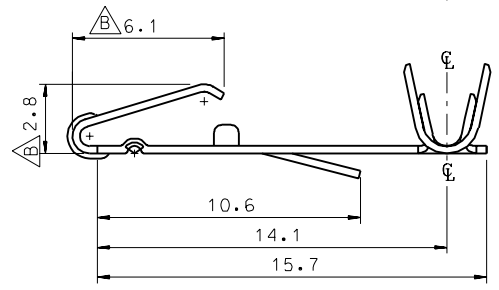
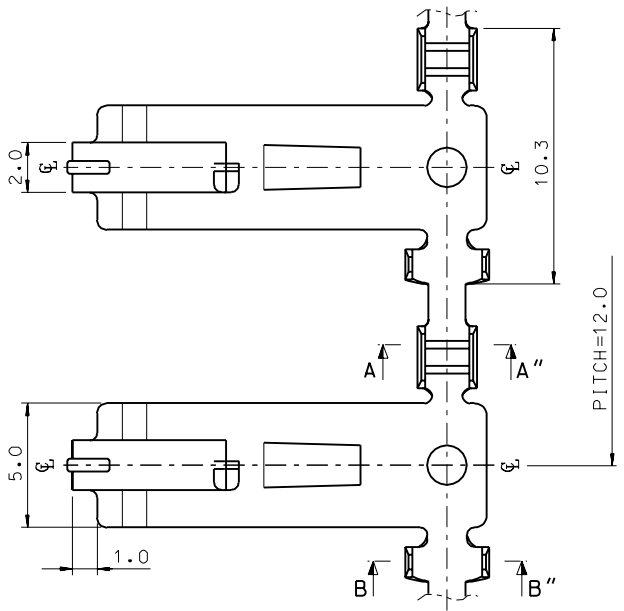
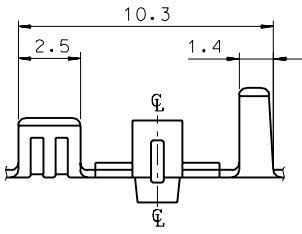
SIMILAR ITEM

PROJECT NO.

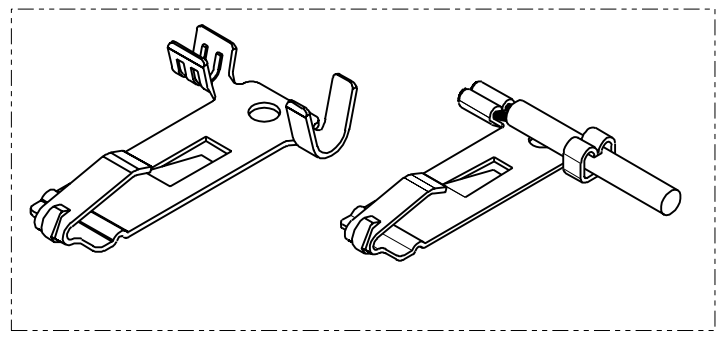
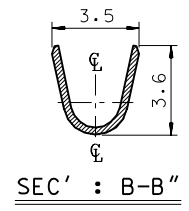
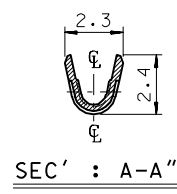
C

B

DO NOT SCALE DRAWING  
DIMENSION IN METRIC



- NOTES
1. MATERIAL : PHOSPHOR BRONZE  
THICKNESS : 0.3mm
  2. FINISH : NONE
  3. APPLICABLE WIRE : 0.5 - 0.85mm<sup>2</sup>
  4. RECOMMENDED LENGTH OF WIRE STRIP IS 3.2-3.8mm.



REVISED EC NO. KOR2003-0179 DRWN: S.M.KIM 03/02/13 CHKY: SIK.KIM 03/02/13 APPR: C.W.LEE	DESCRIPTION MAJOR -0 CRITICAL C -0	GENERAL TOLERANCES: (UNLESS SPECIFIED)		SCALE: 5:1	DESIGN UNITS <input checked="" type="checkbox"/> mm <input type="checkbox"/> INCH	DIMENSIONS: <input type="checkbox"/> mm <input type="checkbox"/> INCH <input checked="" type="checkbox"/> mm ONLY		SHT	REV	
		4 PLACES	±0.	±.	DRAWN BY & DATE J.S.KANG 97/11/28		TITLE: BULB SOCKET EARTH TERMINAL			
		3 PLACES	±0.	±.	CHECKED BY & DATE B.K.CHOI 97/11/29					
		2 PLACES	±0.15	±.	APPROVED BY & DATE C.W.LEE 97/11/28		MOLEX INCORPORATED			
1 PLACE	±0.25	±.	ANGULAR: ± 2 °		CAD FILENAME sd35439.dgn	MATERIAL NO. 35439-8000	DRAWING NO. SD-35439-001	SHEET NO. 1 OF 1	SIZE B	
B	REV	DRAFT WHERE APPLICABLE MUST REMAIN WITHIN DIMENSIONS		THIS DRAWING CONTAINS INFORMATION THAT IS PROPRIETARY TO MOLEX INCORPORATED AND SHOULD NOT BE USED WITHOUT WRITTEN PERMISSION.						