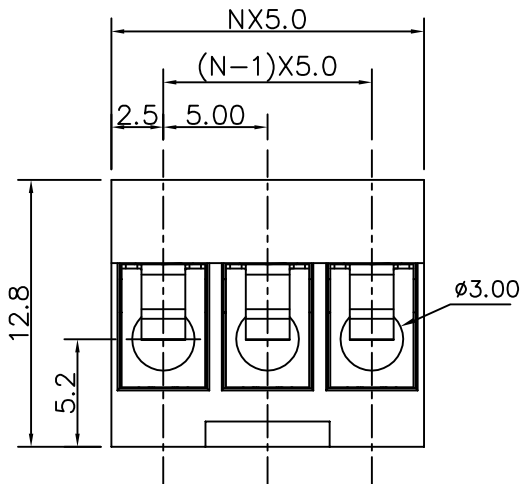
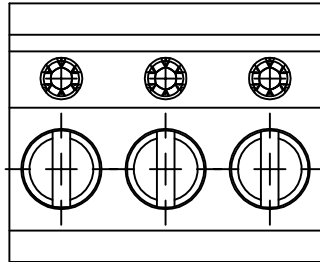
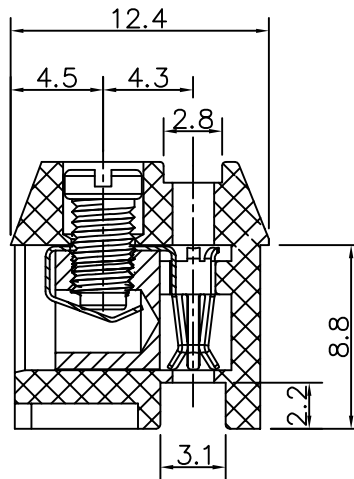


SIGN	DATE	DESCRIPTION	APPROVER
△			

THIS IS CAD DRAWING, DO NOT REVISE MANUALLY!!!



N=Number of contacts



Material

- Terminal body
- (metal housing): Brass(CuZn) – Ni plating 160u”~240u”
- Terminal screw: Steel Zinc plating “-” slot type
- Wire guard: PhBz (CuSn) – Tin plating 100u”~200u”
- Insulator (housing): Thermoplastic (UL94V-0)

Electrical

- Voltage rating: 300V
- Current rating: 10A
- Wire range:
Solid wire(AWG): 12–26
Stranded wire(AWG): 12–26
- Torque: 3.5Lb-In
- Screw: M3.0
- Wire strip length: 6–7mm
- Withstanding Voltage: 1.6KV
- Operating temperature: -40°C to+105°C
- Safety Approval:

RoHS Compliant

PART NUMBER:

OSTTXXX0100

No. of Poles
02: 2 Poles
⋮
24: 24 Poles

COLOR

- 0: Black (Standard)
- 5: Green
- 6: Blue
- 8: Grey



THESE DRAWINGS AND SPECIFICATIONS ARE THE PROPERTY OF ON-SHORE TECHNOLOGY, INC. AND SHALL NOT BE REPRODUCED, COPIED OR USED IN ANY MANNER WITHOUT THE PRIOR WRITTEN CONSENT OF ON-SHORE TECHNOLOGY, INC.

TITLE		OSTTX-5.0mm Series, round hole			
PART NO.	OSTTXXX0100	DWG NO.		OSTTXXX0100.DWG	
APPROVED	CHECKED	DESIGNED	DRAWN	CUST NO.	Tolerance
Shi Jun 2006.10.23	Shi Jun 2006.10.23	xionghaitao 2006.01.25	xionghaitao 2006.01.25		X. ±0.50 X.X ±0.30 X.XX ±0.10 X' ±1'
SHEET: 01/01				REV.: D	UNIT: mm SCALE: NONE