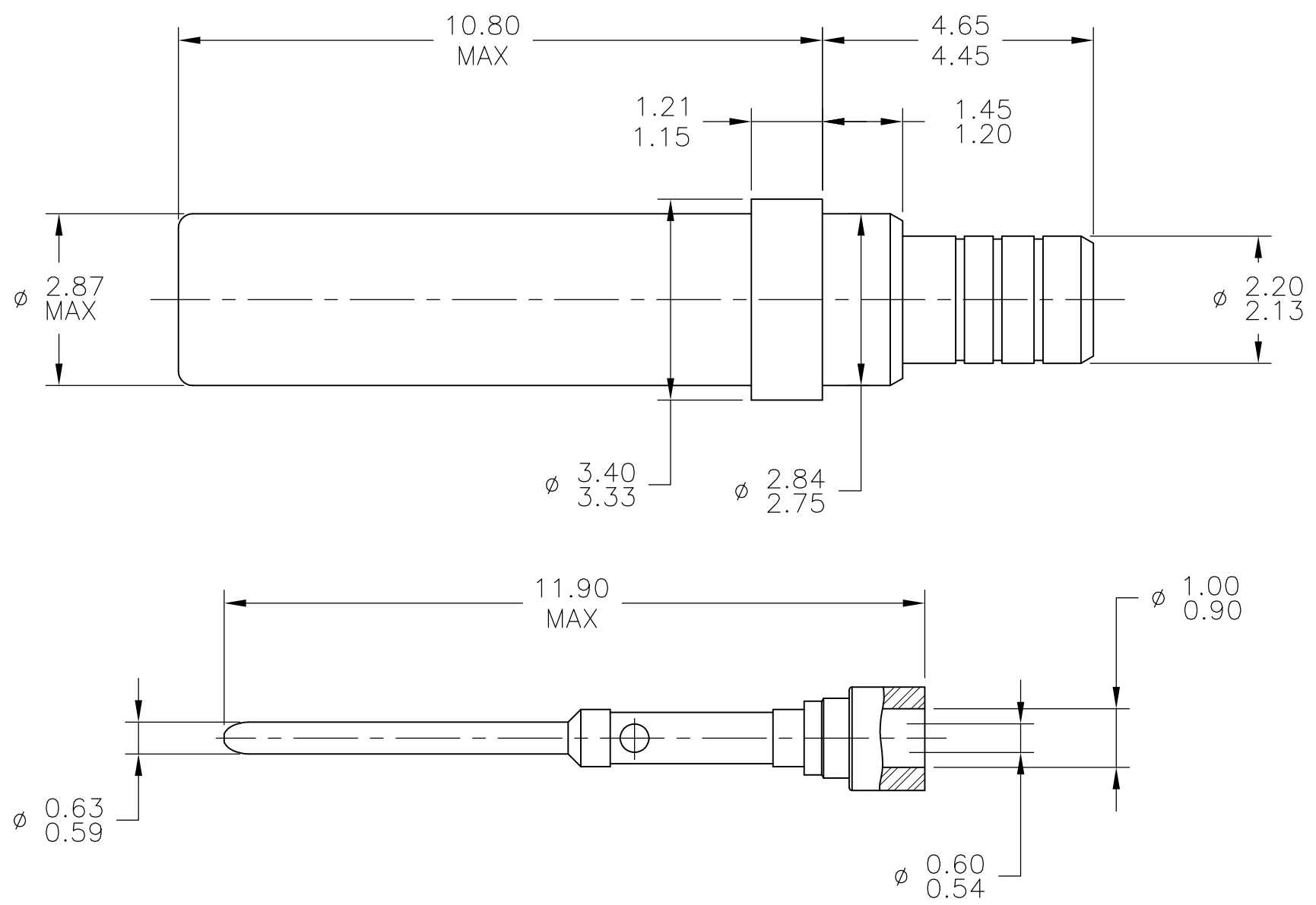


THIS DRAWING IS UNPUBLISHED. RELEASED FOR PUBLICATION
 © COPYRIGHT - By - ALL RIGHTS RESERVED.

LOC	DIST	REVISIONS			
P	LTR	DESCRIPTION	DATE	DWN	APVD
	A	REVISED PER ECO-15-010650	27AUG2015	RS	CT



NOTES:



1. FEMALE COAX CONTACTS SIZE 15 FOR CABLE TYPE KX22 SINGLE AND DOUBLE STRANDS TYPE FILECA

MATERIALS:

OUTER CONTACT, CENTRE CONTACT, FERRULE: COPPER ALLOY PLATED GOLD OVER NICKLE
 UNDERPLATE.
 PROTECTING TUBE: PASSIVATED STAINLESS STEEL

3. THIS PRODUCT IS SOLD BY TYCO ELECTRONICS UNDER A LICENSE FROM RADIALL

TE PART NO.
1738026-1

THIS DRAWING IS A CONTROLLED DOCUMENT.		DWN 27AUG2015 RAGHAV SATISH	 TE Connectivity					
DIMENSIONS: mm		CHK 27AUG2015 CHARLES THOMAS				NAME	GPR COAXIAL CONTACT, SOCKET, SIZE 15	
TOLERANCES UNLESS OTHERWISE SPECIFIED:		APVD 27AUG2015 CHARLES THOMAS	PRODUCT SPEC	SIZE	CAGE CODE	DRAWING NO	RESTRICTED TO	
0 PLC ± - 1 PLC ± - 2 PLC ± - 3 PLC ± - 4 PLC ± - ANGLES ± -		APPLICATION SPEC	—	A3	00779	C-1738026	—	
MATERIAL		FINISH	WEIGHT	CUSTOMER DRAWING		SCALE	SHEET	REV
		—	—	NTS		1 OF 1	A	