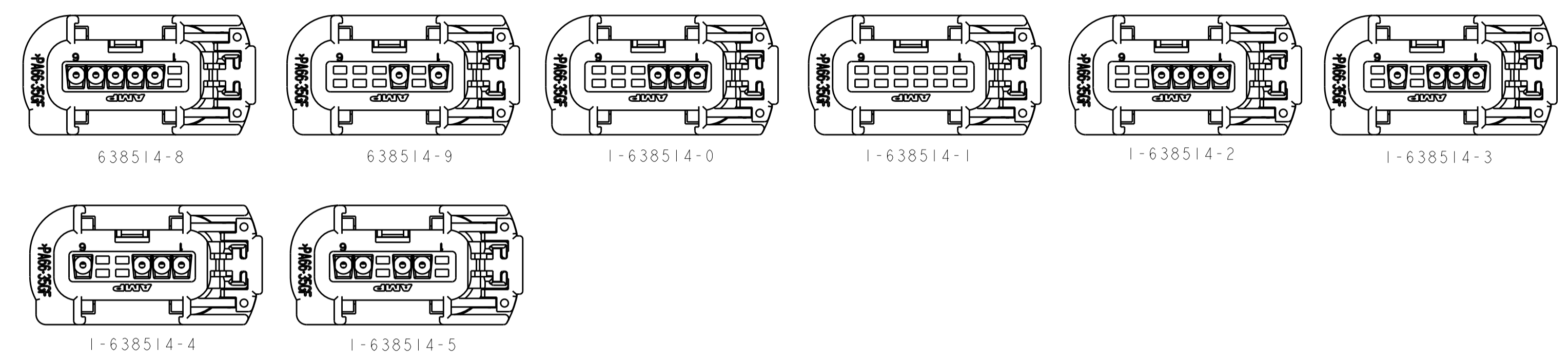
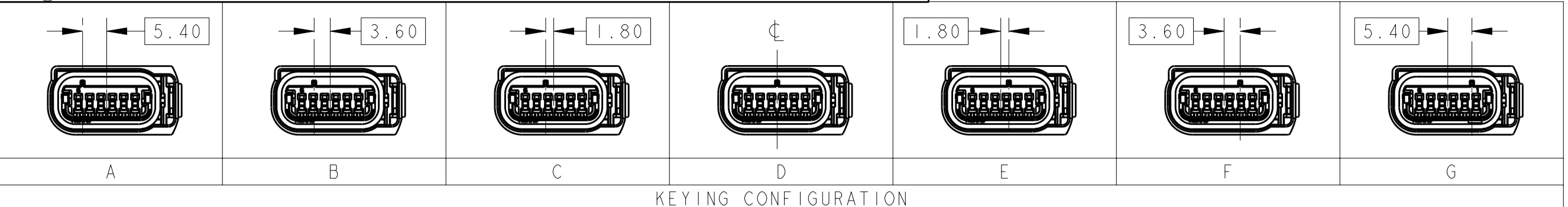
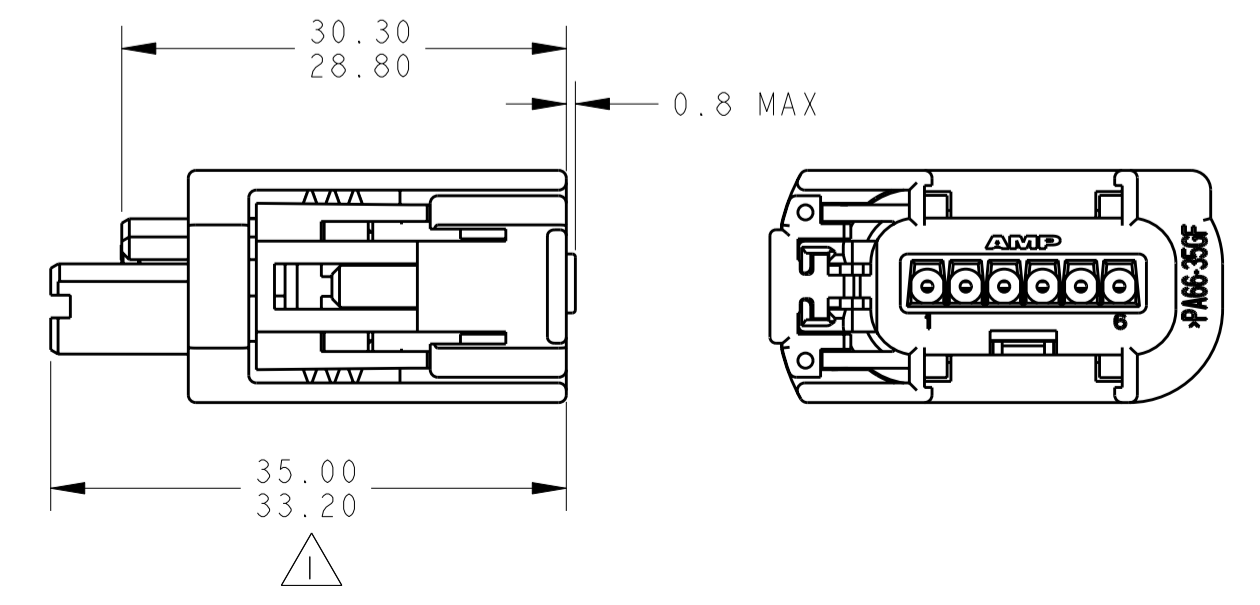
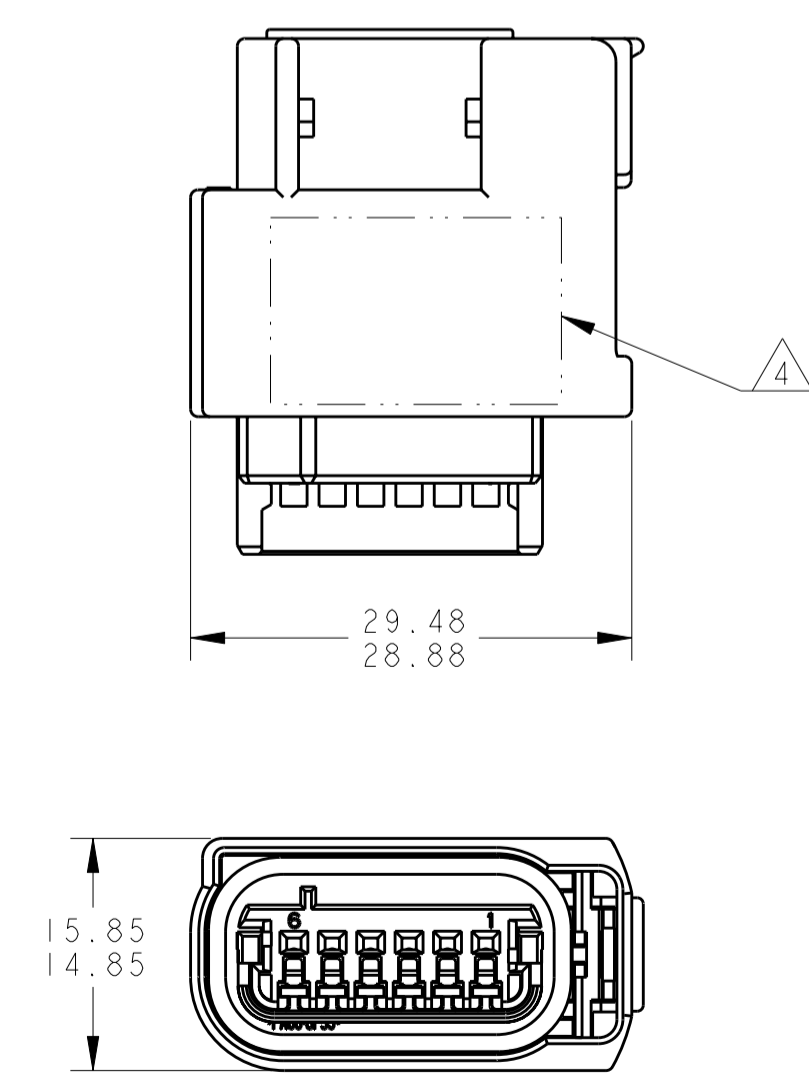
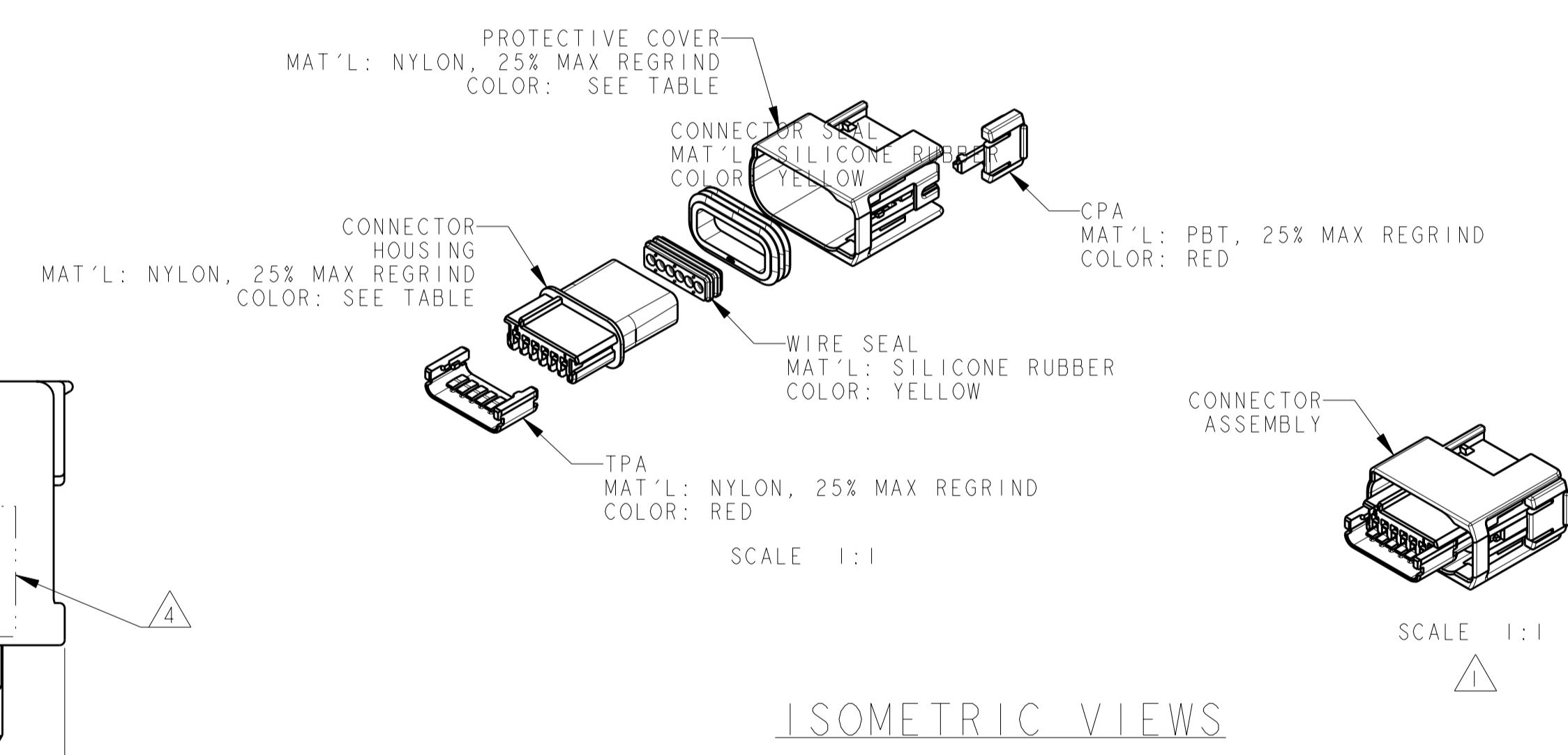


THIS DRAWING IS UNPUBLISHED. RELEASED FOR PUBLICATION 20
COPYRIGHT BY TYCO ELECTRONICS CORPORATION. ALL RIGHTS RESERVED.

LOC	DIST	REVISIONS			
P	LTR	DESCRIPTION	DATE	DWN	APVD
FX	00				
F		REVISED PER ECR 05-018740	25JAN2006	DLD	CJS
FI		REVISED PER ECO-08-018575	30JUL2008	DLD	CJS



- 1. TPA SHOWN IN PRE-LATCHED POSITION.
- 2. A "X" IN THIS TABLE INDICATES THAT THE CIRCUIT IS BLOCKED AND WILL NOT ALLOW INSERTION OF TERMINAL. A "-" INDICATES THAT INSERTION OF TERMINAL CAN OCCUR.
- 3. PART NUMBER 638514-1 SHOWN.
- 4. AMP PART NUMBER AND DATE CODE MARKED IN THIS GENERAL LOCATION.
- 5. TERMINALS SOLD SEPERATELY. SEE AMP RECOMMENDED PART NUMBERS 1326028 (GOLD PLATED), OR 638551 (TIN PLATED) FOR TERMINATION AND REELING OPTIONS.



	CIRCUIT 6	CIRCUIT 5	CIRCUIT 4	CIRCUIT 3	CIRCUIT 2	CIRCUIT 1	KEYING CONFIGURATION (SEE TABLE)	PART NUMBER
BLACK	-	-	X	-	-	X	A	1-638514-5
BLACK	-	X	X	-	-	-	A	1-638514-4
BLACK	X	-	X	-	-	-	A	1-638514-3
BLACK	X	X	-	-	-	-	A	1-638514-2
BLACK	X	X	X	X	X	X	A	1-638514-1
BLACK	X	X	X	-	-	-	A	1-638514-0
BLACK	X	X	X	-	X	-	A	638514-9
BLACK	-	-	-	-	-	X	A	638514-8
BLACK	-	-	-	-	-	-	G	638514-7
BLACK	-	-	-	-	-	-	F	638514-6
BLACK	-	-	-	-	-	-	E	638514-5
BLACK	-	-	-	-	-	-	D	638514-4
BLACK	-	-	-	-	-	-	C	638514-3
YELLOW	-	-	-	-	-	-	B	638514-2
BLACK	-	-	-	-	-	-	A	638514-1

THIS DRAWING IS A CONTROLLED DOCUMENT FOR TYCO ELECTRONICS CORPORATION. IT IS SUBJECT TO CHANGE AND THE CONTROLLING ENGINEERING ORGANIZATION SHOULD BE CONTACTED FOR THE LATEST REVISION.

DWN: B. BUCHTER 12APR2001
CHK: M. SHORE 12APR2001
APVD: G. BALAN 12APR2001

Tyco Electronics
Harrisburg, PA 17105-3608

NAME: CONNECTOR ASSEMBLY, FEMALE, 6 POSITION, SEALED, 0.64mm

SAE/USCAR-2 8/97

SIZE: A2 CAGE CODE: 00779 DRAWING NO: 638514

MATERIAL: SEE CALLOUT

RESTRICTED TO: -

CUSTOMER DRAWING

SCALE: 2:1 SHEET: 1 OF 1 REV: FI