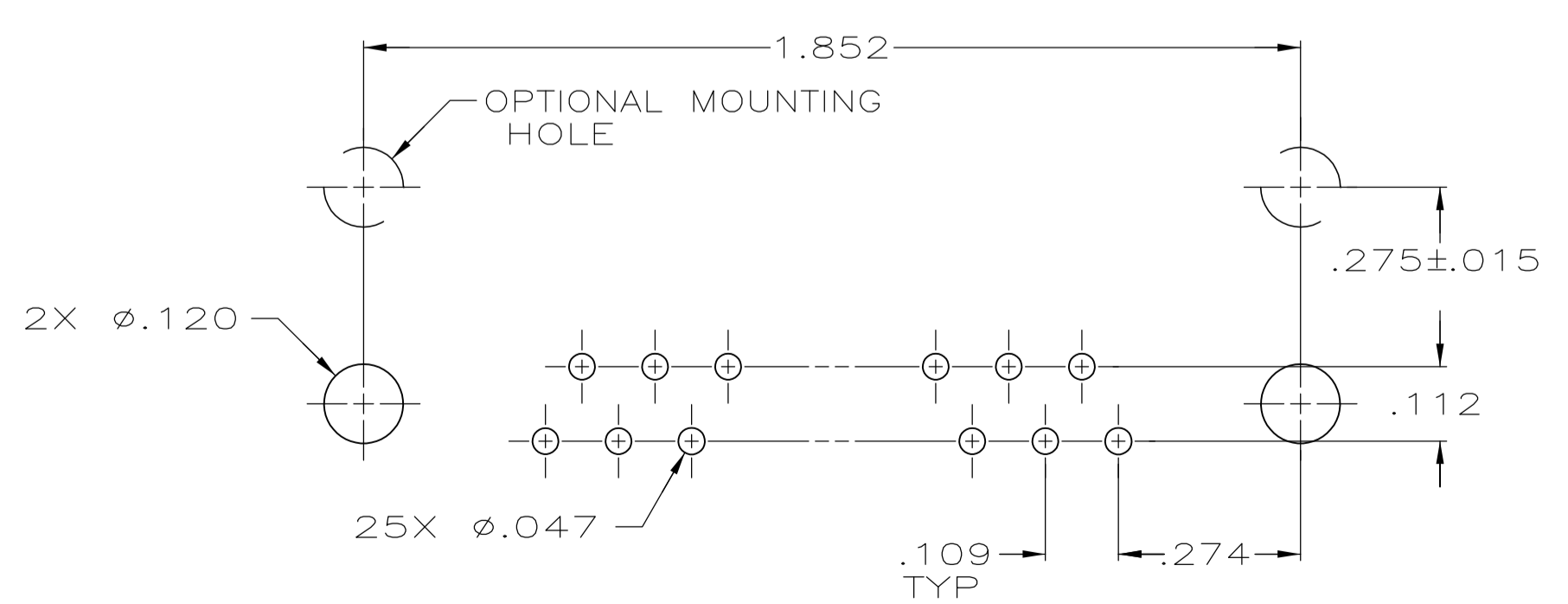
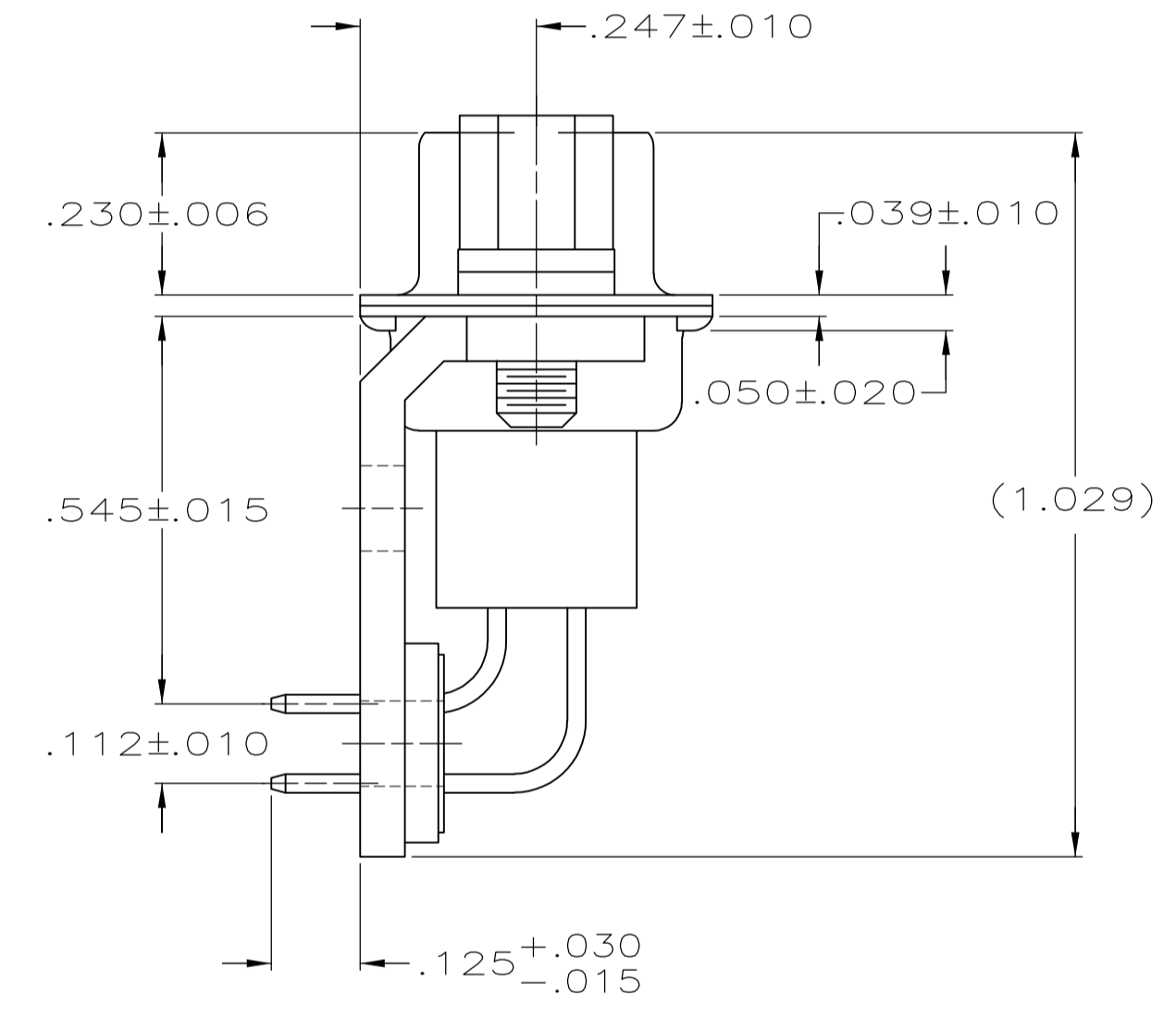
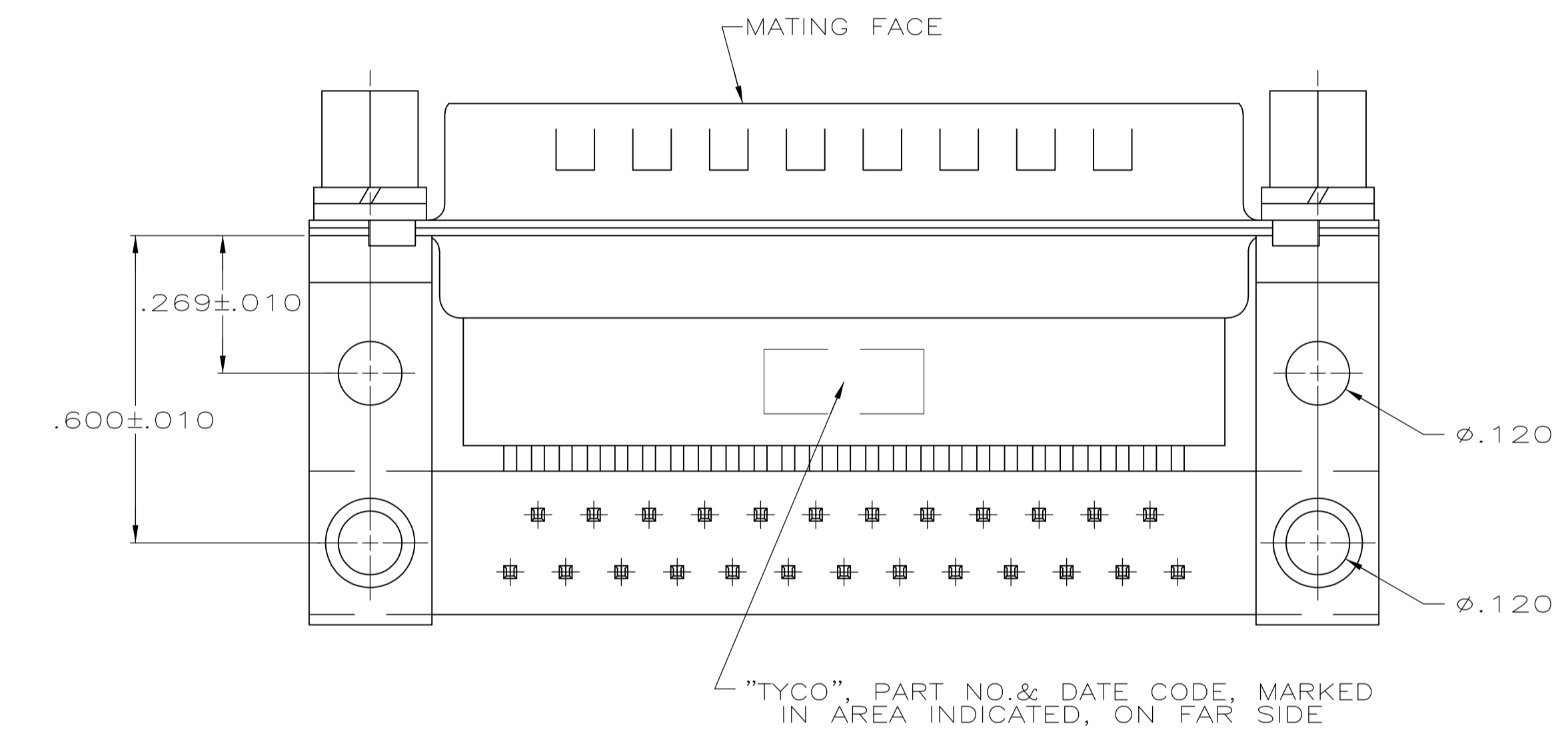
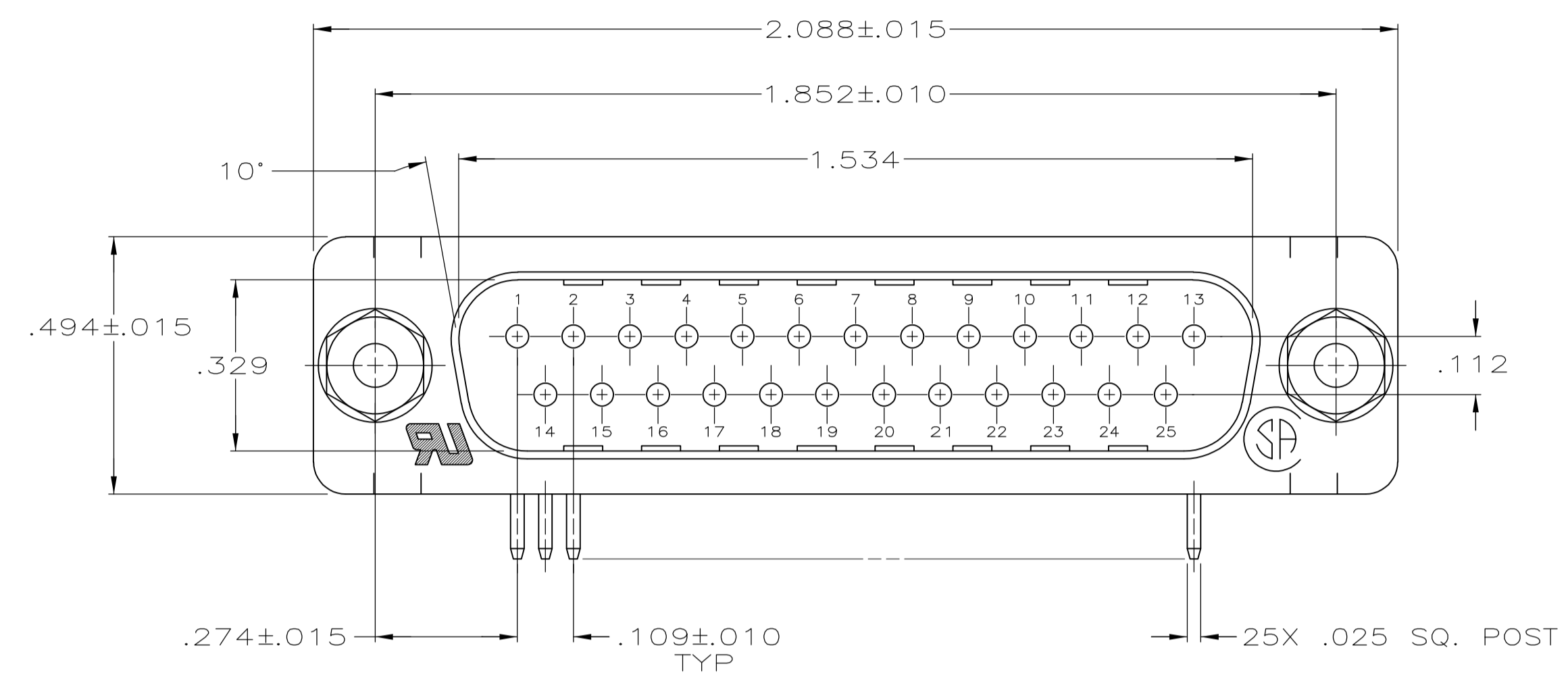


LOC		DIST		REVISIONS			
F	LTR	DESCRIPTION	DATE	DWN	APVD		
B		REVISED PER ECO-14-011808	12AUG2014	AP	SB		



P.C. BOARD MOUNTING DIMENSIONS

- 1 MOLDED PARTS: GLASS-FILLED PBT OR GLASS-FILLED NYLON, UL94V-0 RATED. COLOR: BLACK.
SHELLS & BRACKETS: CARBON STEEL.
CONTACTS: BRASS
SCREWLOCKS AND WASHERS: CARBON STEEL.
- 2 SHELLS: .000200 MIN TIN OVER .000100 MIN COPPER.
BRACKETS: .000200 MIN TIN OVER .000050 MIN COPPER.
SCREWLOCKS AND WASHERS: ZINC PLATED WITH CLEAR CHROMATE COATING.
CONTACTS: GOLD PLATED FOR A LENGTH OF .150 MIN FROM MATING END, .000030 MIN GOLD IN MATED AREA, .000100 MIN TIN ON OPPOSITE END, BOTH OVER .000050 MIN NICKEL.
-OR-
GOLD FLASH OVER PALLADIUM NICKEL PLATED FOR A LENGTH OF .150 MIN FROM MATING END, .000030 MIN PALLADIUM NICKEL IN MATED AREA, .000100 MIN TIN ON OPPOSITE END, BOTH OVER .000050 MIN NICKEL.

5747022-2
PART NUMBER

THIS DRAWING IS A CONTROLLED DOCUMENT.		DIN	D. HENNY	9-4-05	TE Connectivity												
		CHK	S. BOLASH	9-4-05													
DIMENSIONS: INCHES		TOLERANCES UNLESS OTHERWISE SPECIFIED:		NAME: PLUG ASSEMBLY, SIZE 3, 25 POSITION, RIGHT ANGLE, .545 SERIES, .025 SQ. POSTS, WITH SCREWLOCKS, AMPLIMITE HDP													
<table border="1"> <tr><td>0. PLC</td><td>± .005</td></tr> <tr><td>1. PLC</td><td>± .005</td></tr> <tr><td>2. PLC</td><td>± .005</td></tr> <tr><td>3. PLC</td><td>± .005</td></tr> <tr><td>4. PLC</td><td>± .005</td></tr> <tr><td>ANGLES</td><td>± .2°</td></tr> </table>		0. PLC	± .005	1. PLC	± .005	2. PLC	± .005	3. PLC	± .005	4. PLC	± .005	ANGLES	± .2°	APVD	M. WALMSLEY	9-4-05	PRODUCT SPEC
0. PLC	± .005																
1. PLC	± .005																
2. PLC	± .005																
3. PLC	± .005																
4. PLC	± .005																
ANGLES	± .2°																
		APPLICATION SPEC		108-40025													
		SIZE		114-40013													
MATERIAL		FINISH		WEIGHT													
1		2		A1 00779C=5747022													
CUSTOMER DRAWING		SCALE		4:1													
		SHEET		1 of 1													
		REV		B													