

NOTES:

1.0 ELECTRICAL SPECIFICATIONS:

- 1.1 FREQUENCY RANGE:
M3933/17-01 thru 06: DC to 4.5 GHz
M3933/17-07 thru 24: DC to 18.0 GHz
- 1.2 ATTENUATION ACCURACY: SEE TABLE
- 1.3 VSWR (MAX): (BOTH ENDS)
M3933/17-01 thru 06: 1.25:1
M3933/17-07 thru 24:
DC to 4.0 GHz: 1.15:1
4.0 to 8.0 GHz: 1.20:1
8.0 to 12.4 GHz: 1.25:1
12.4 to 18.0 GHz: 1.35:1

- 1.4 INPUT POWER:
POWER INPUT IS DERATED LINEARLY TO 0.5 WATTS AT +125°C.
M3933/17-01 thru 06: 4 WATTS AVG.
M3933/17-07 thru 24: 2 WATTS AVG.

- 1.5 PEAK POWER: 0.2 KILOWATTS
PEAK POWER FOR A DUTY CYCLE OF 5×10^{-4} ,
MAX. PULSE DURATAION OF 5 MICRSECONDS.

2.0 MARKING: MARK UNIT AS SHOWN
(REF.: INK-09208-27-XX)

3.0 DIMENSIONS IN PARENTHESIS ARE IN MILLIMETERS.

- 4.0 TESTING:
SCREENED PER ATP-07839-60-01
NON-SCREEN PER ATP-09210-60-01

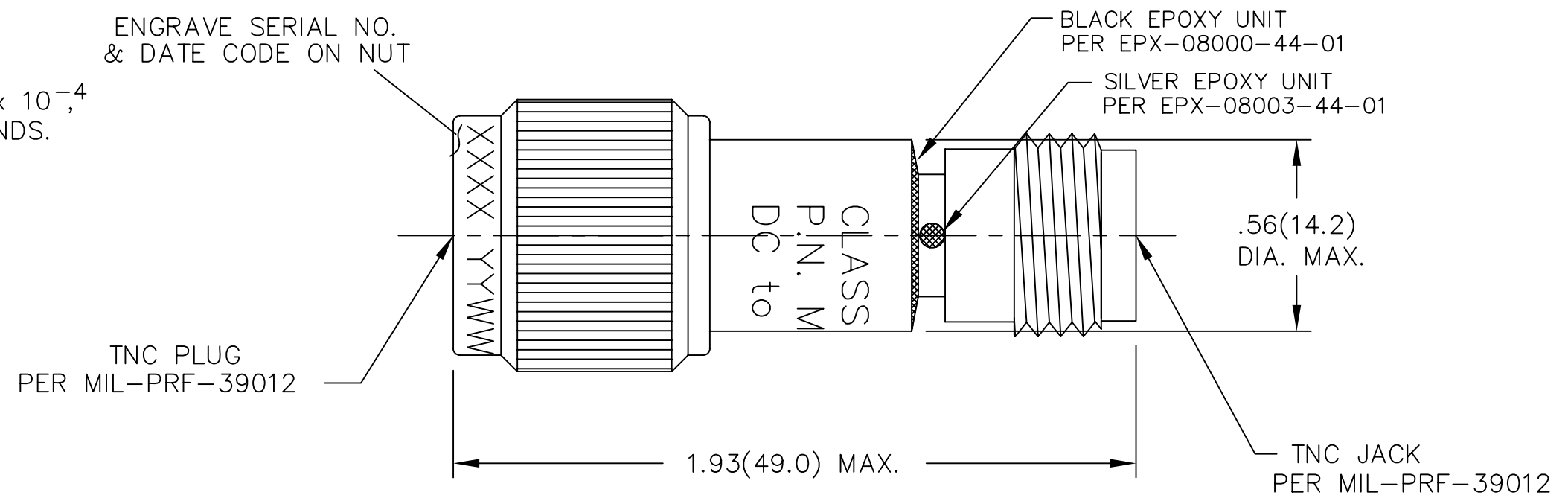
DATE	2/3/95	5/4/95	1/15/04	3/10/06
DESCRIPTION	RELEASED	ECN 14461	ECN 19574	ECN 20764
REV.	A	B	C	

5.0 BAG MARKING:
MODEL M3933/17-XX (N or S)
ATTENUATOR FIXED COAXIAL LINE
YY WATTS AVERAGE INPUT POWER
FREQ. RANGE: DC-ZZ GHz
MFR 34078
LOT NO. _____
DATE CODE: [YYWW]
YEAR & WEEK

SEE TABLE

-12	4	±0.4
-11	3	±0.4
-10	2	±0.4
-09	1	±0.4
-08	30	±0.9
-07	20	±0.6
-06	6	±0.4
-05	5	±0.4
-04	4	±0.4
-03	3	±0.4
-02	2	±0.4
-01	1	±0.3
M3933/17-XX MODEL NO.	(dB) ATTEN.	ATTEN. ACCURACY

-22	40	±1.0
-21	35	±0.9
-20	25	±0.8
-19	15	±0.5
-18	12	±0.5
-17	10	±0.5
-16	8	±0.05
-15	7	±0.5
-14	6	±0.4
-13	5	±0.4
M3933/17-XX MODEL NO.	(dB) ATTEN.	ATTEN. ACCURACY



UNLESS OTHERWISE NOTED DIMENSIONS ARE IN INCHES AND TOLERANCES ARE:
3 PLACE DECIMALS ±.005
2 PLACE DECIMALS ±.02
FRACTIONS ±1/64
PARALLELITY: T.I.R. _____
FLATNESS: T.I.R. _____
CONCENTRICITY: T.I.R. _____
ANGLES AND PERPENDICULARITY: ±1'

FSCM NO. 34078	MIDWEST MICROWAVE	
NOTICE: The information contained in this drawing is proprietary and must not be used without the permission of Midwest Microwave	TITLE ATTENUATOR	
DRAWN/DATE A.BEATTY 1/27/95	ENG./DATE G.KOZAK 2/3/95	DRAWING NUMBER M3933/17-XX(N or S)
CHECKED/DATE M.HOLLMAN 2/3/95	APPROVED/DATE	SCALE: 3=1 SHEET 1 of 1