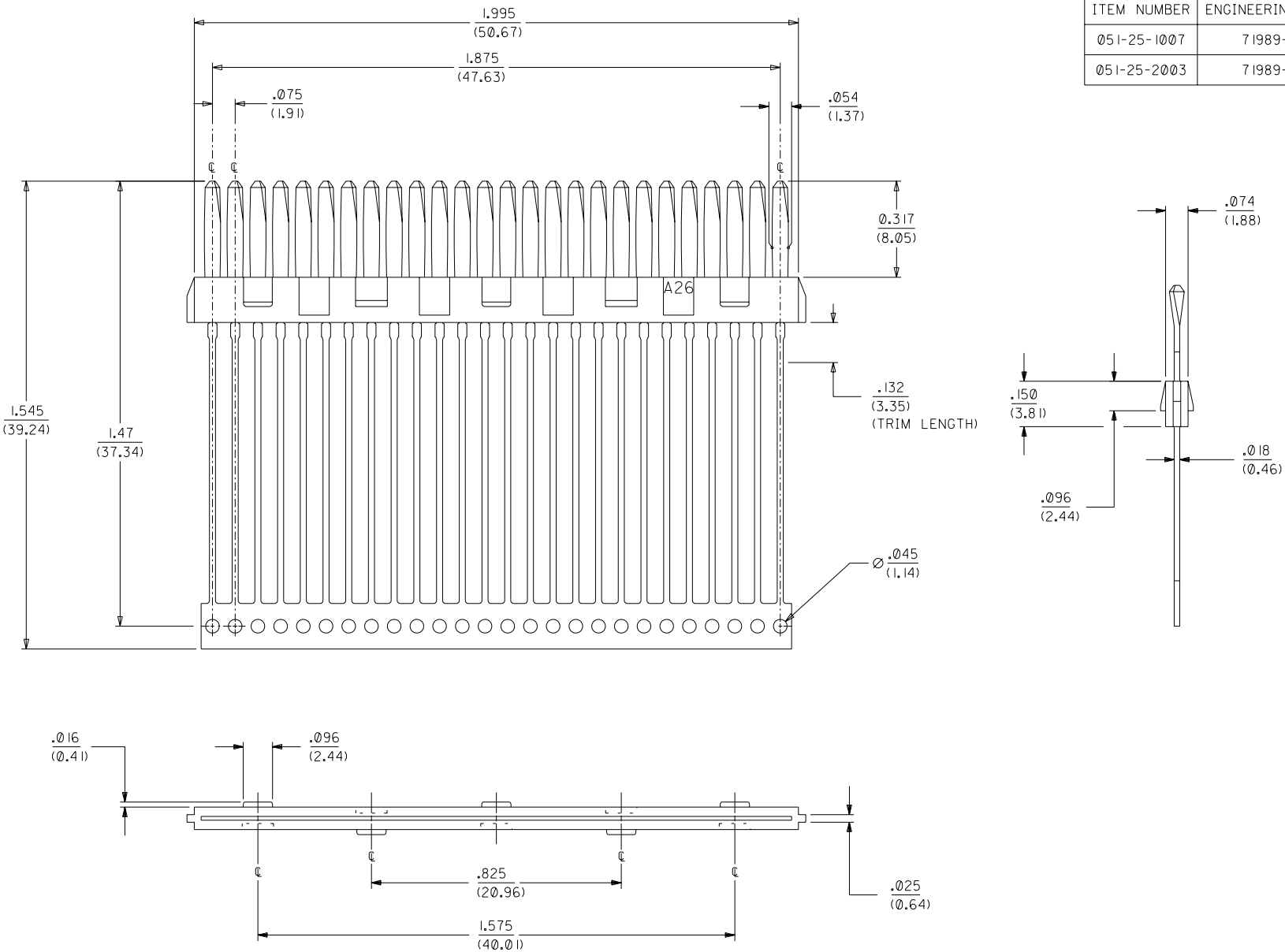


71989

ITEM NUMBER	ENGINEERING NUMBER	DESCRIPTION
051-25-1007	71989-2002	CARRIER ATTACHED
051-25-2003	71989-2003	TRIMMED TO LENGTH



## NOTES:

- INSULATOR MATERIAL IS LIQUID CRYSTAL POLYMER (LCP), RATED U.L. 94 V-0, COLOR IS BLACK
- TERMINAL MATERIAL IS PHOSFOR BRONZE.
- TERMINAL PLATING IS .000030/(0.00076) MINIMUM GOLD IN CONTACT AREA AND .000100/(0.00254) MINIMUM TIN ON SOLDER TAILS, WITH NICKEL UNDERPLATE OVERALL.  
 \*THE PRIMARY SHIPPING CARTON WILL BE LABELED "COMPLIANT TO RoHS DIRECTIVE 2002/95/EC AND ELV ANNEX II OF DIRECTIVE 2000/53/EC". CARTONS WITHOUT THIS LABEL MAY CONTAIN PRODUCT WITH LEAD.
- ALL DIMENSIONS ARE SHOWN FOR REFERENCE ONLY.
- THIS COMPONENT CONFORMS TO PRODUCT SPECIFICATION PS-70660.
- PACKAGE PER SPECIFICATION PK-70873-0233.

B	ADDED PK SPEC UCP2004-1858 RWHITE 04/03/23
A	INITIAL RELEASE PER UDT1999-0221 SCHMIDG 98/09/29

DIMENSIONS SHOWN (METRIC) INCH		MFG.		SH.	REV.	LTR.	REVISIONS
UNLESS OTHERWISE SPECIFIED TOLERANCES: ANGULAR ± 1/2°		▽ = 0	▽ = 0	REVISE ONLY ON CAD SYSTEM			
3 PLACE ± --- ± ---		TITLE					
2 PLACE ± --- ± ---		.075 PITCH LFH INSERT-MOLDED TERMINAL STRIP, 26 CKT. MALE (SALES DWG.)					
1 PLACE --- ± ---		MOLEX INCORPORATED		SHEET NO.	DATE		
DRAFT WHERE APPLICABLE MUST REMAIN WITHIN DIMENSIONS		LITSE,ILL. 60532		U.S.A.	1 OF 1	98/09/21	
DRWG. BY SCHMIDGALL		CHK'D. BY KER		PART NO.		DRWG. NO.	
APP'D. BY KER		SCALE 4: 1		SEE CHART		SDA-71989-2002	
FILE NAME S71989201.DWG.		THIS DRAWING CONTAINS INFORMATION THAT IS PROPRIETARY TO MOLEX INC. AND SHOULD NOT BE USED WITHOUT WRITTEN PERMISSION.		DIV.		SIZE	
				CPP		C	

71989