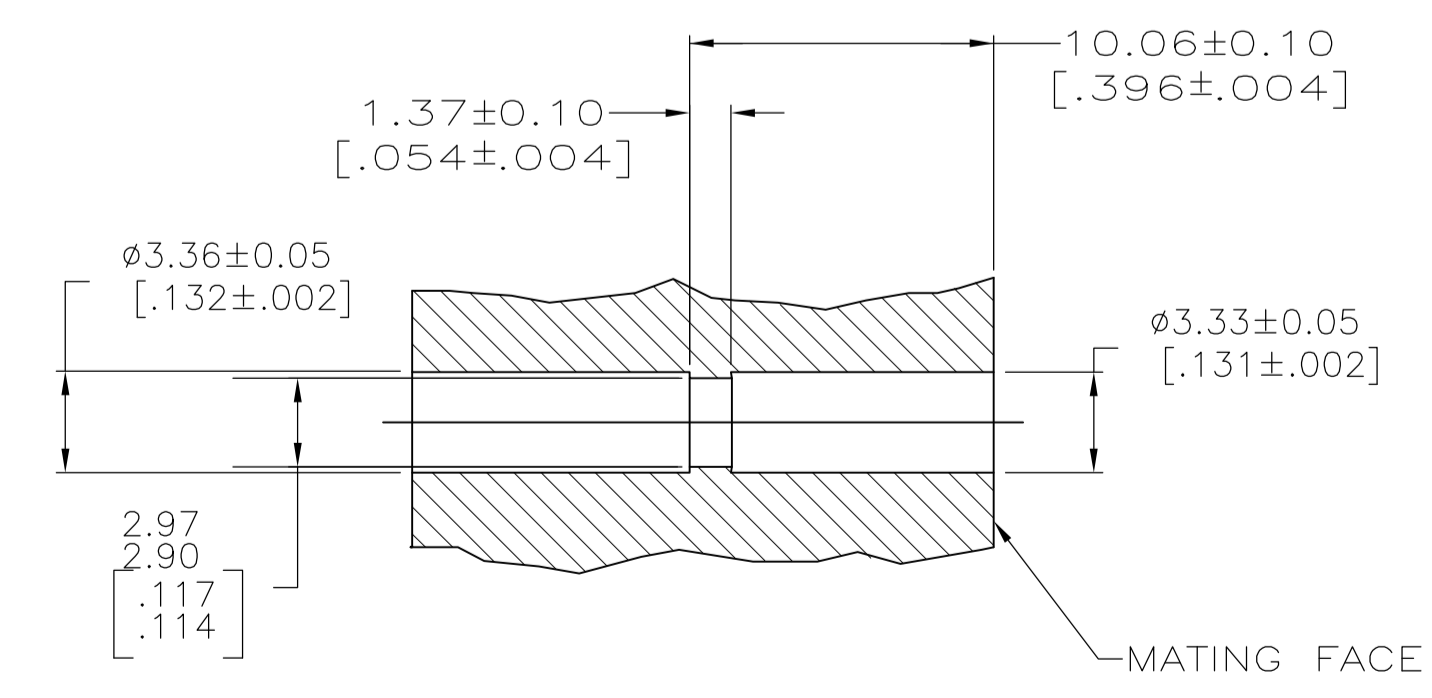
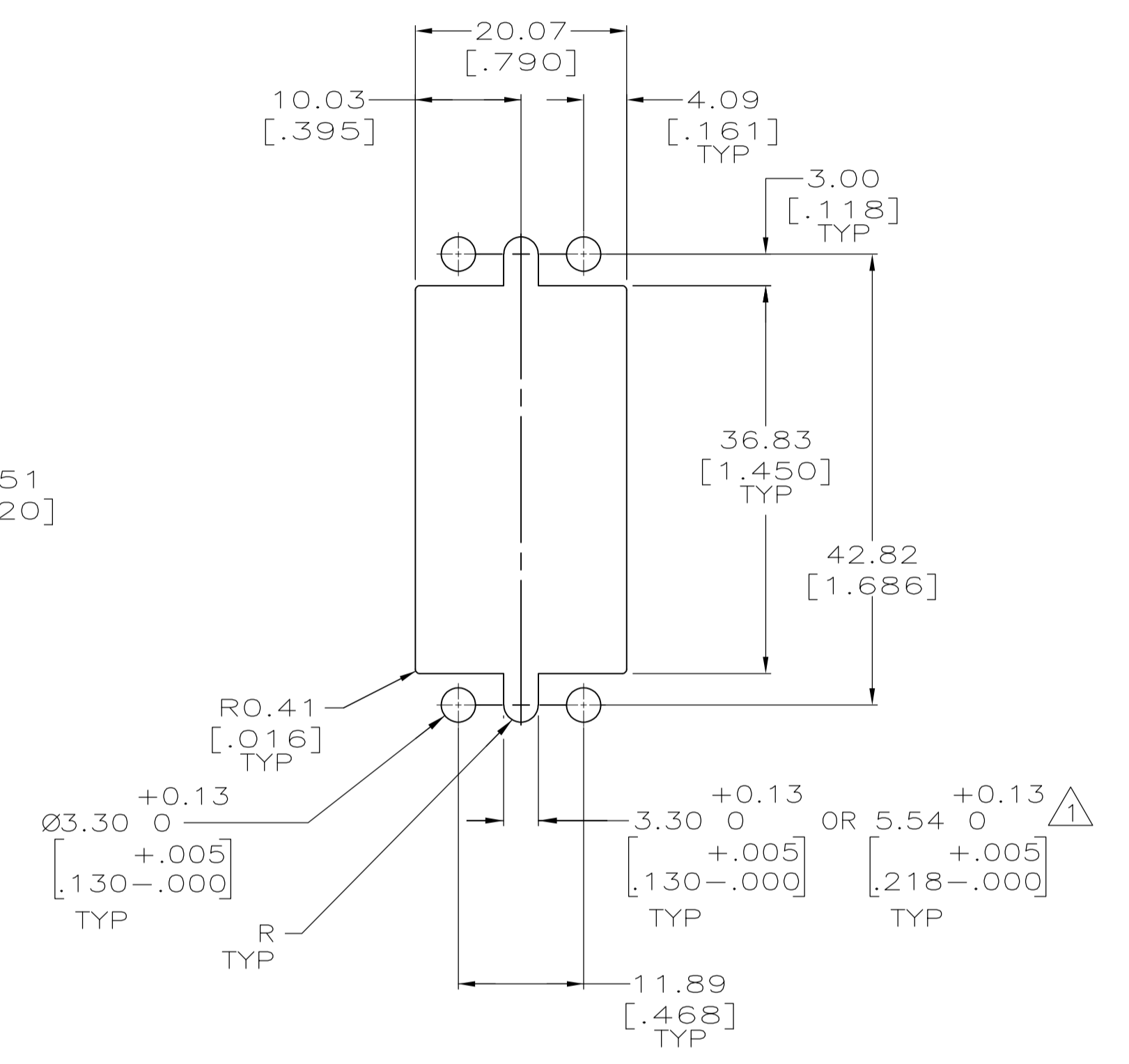
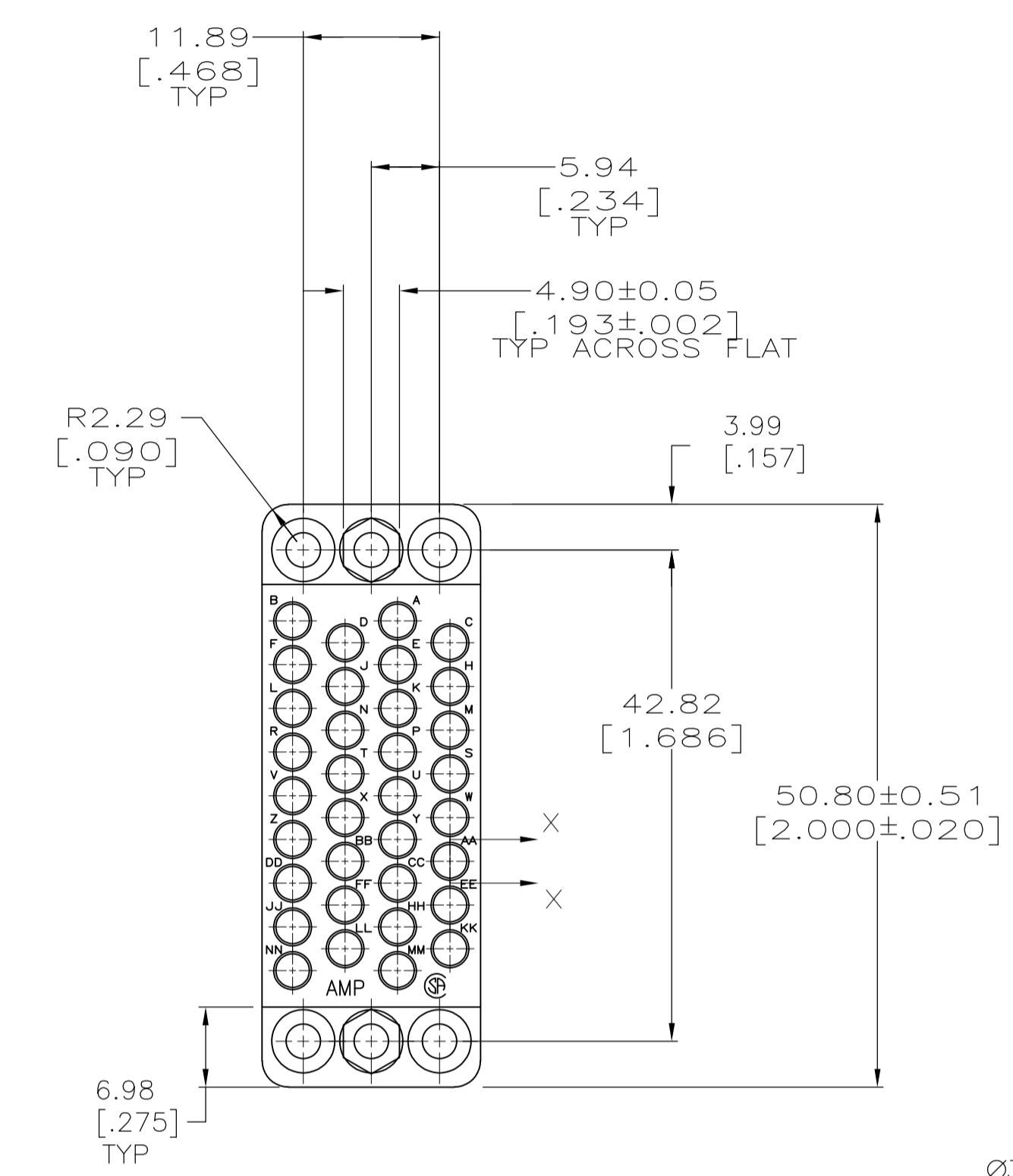
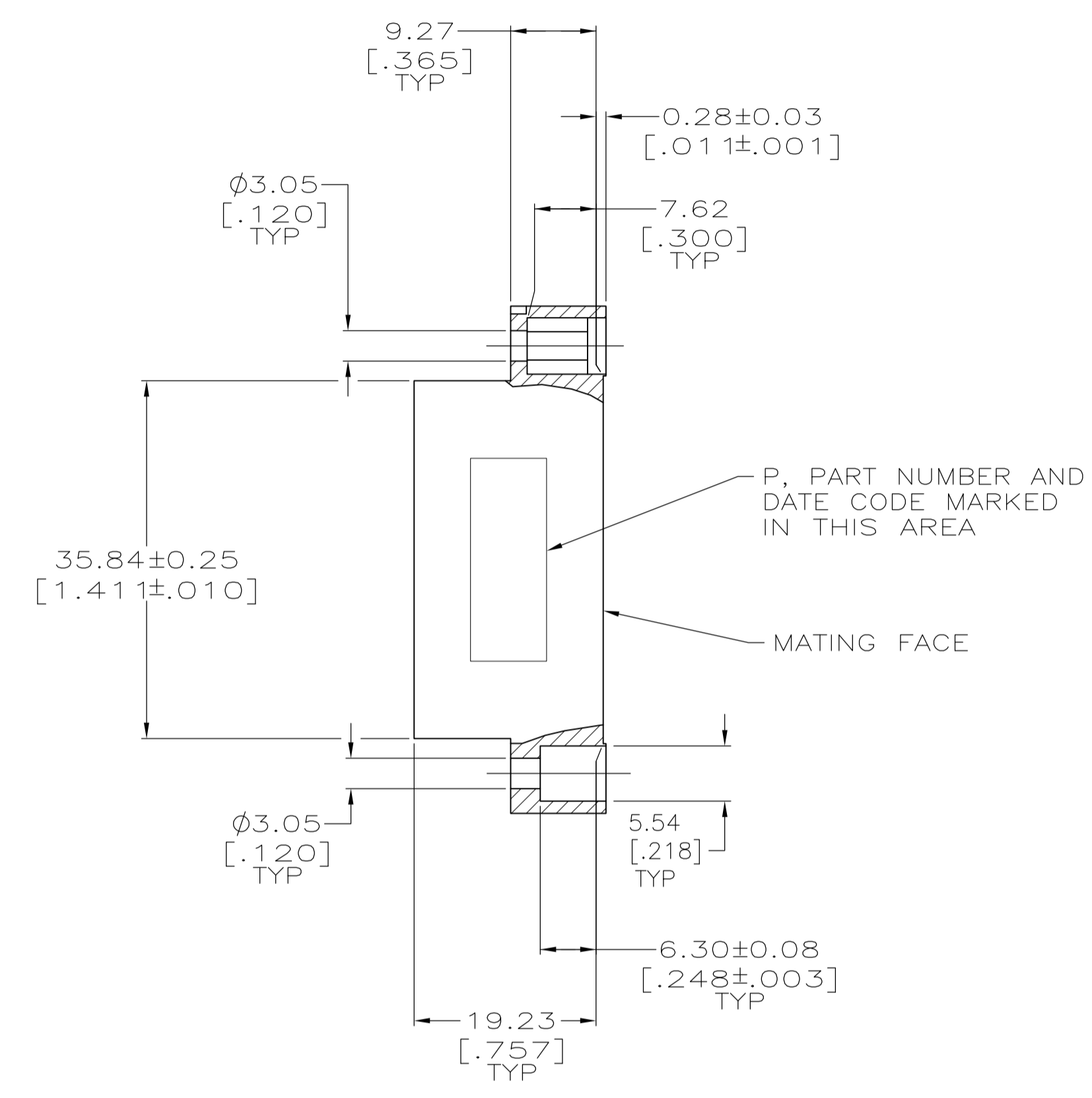
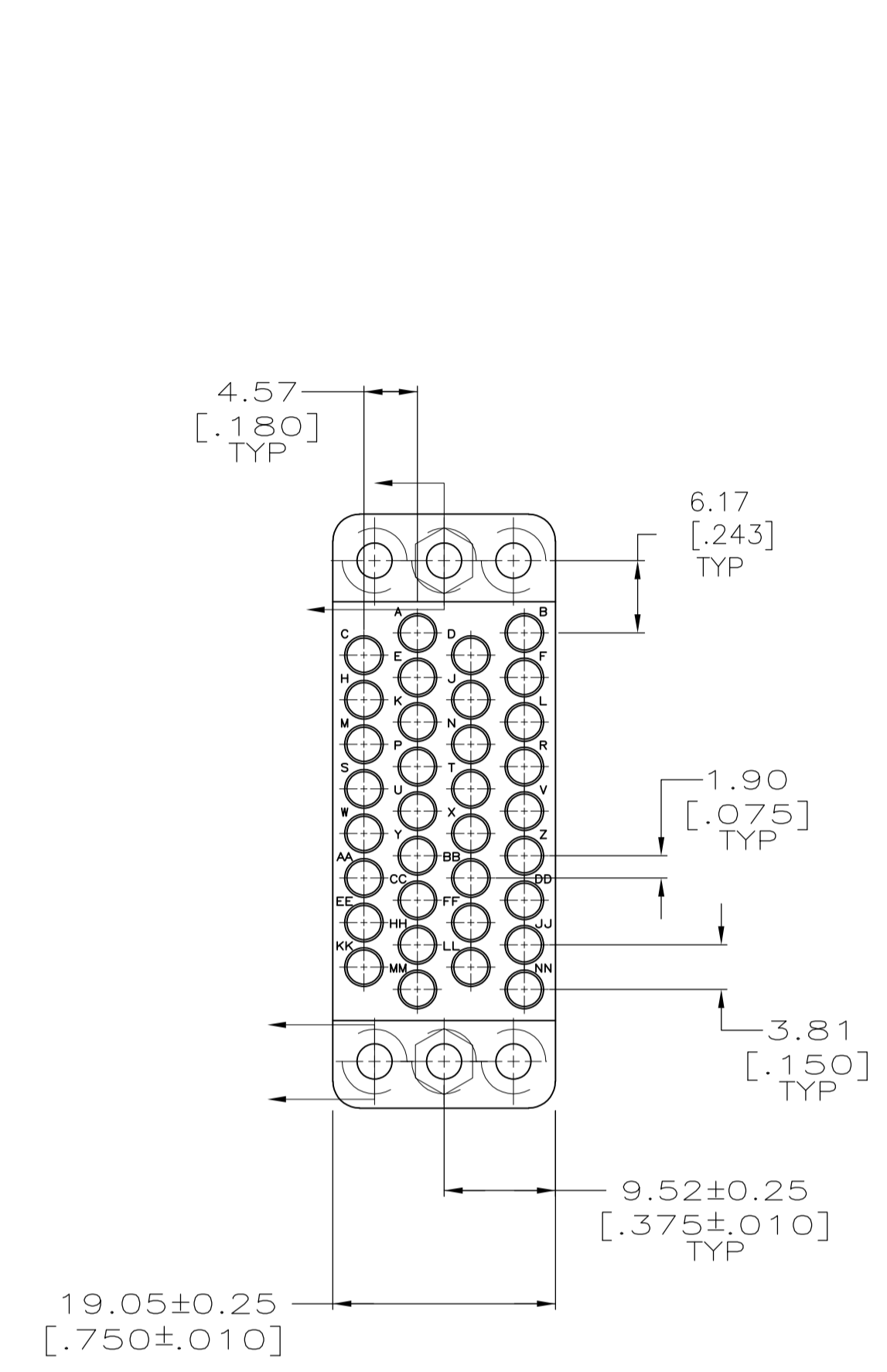


LOC		DIST		REVISIONS			
P	LTR	DESCRIPTION	DATE	DN	APVD		
Z		REVISED PER ECO-07-029096	12/11/07	SS	GS		



△ 5.54[.218] IS REQUIRED WHEN JACKSCREWS ARE USED.
 2. MATES WITH BLOCK 200838 AND ACCOMMODATES TYPE II #20 CONTACTS.

200837-2
 PART NUMBER

THIS DRAWING IS A CONTROLLED DOCUMENT.		DN C. OBERMAN 14 OCT 97	Tyco Electronics Corporation Harrisburg, PA 17105-3608	
DIMENSIONS: mm [INCHES]		CHK R. STONE 15 OCT 97	NAME G. STEINHÄUER 09 JAN 98	
TOLERANCES UNLESS OTHERWISE SPECIFIED:		PRODUCT SPEC		
0. PLC ± -		APPLICATION SPEC		
1. PLC ± -		SIZE A1		
2. PLC ± 0.13 [.005]		CAGE CODE 00779		
3. PLC ± -		DRAWING NO. 200837		
4. PLC ± -		RESTRICTED TO		
ANGLES ± -		CUSTOMER DRAWING		
MATERIAL PHENOLIC, BLACK		SCALE 2:1		
FINISH -		SHEET 1 OF 1		
		REV Z		