

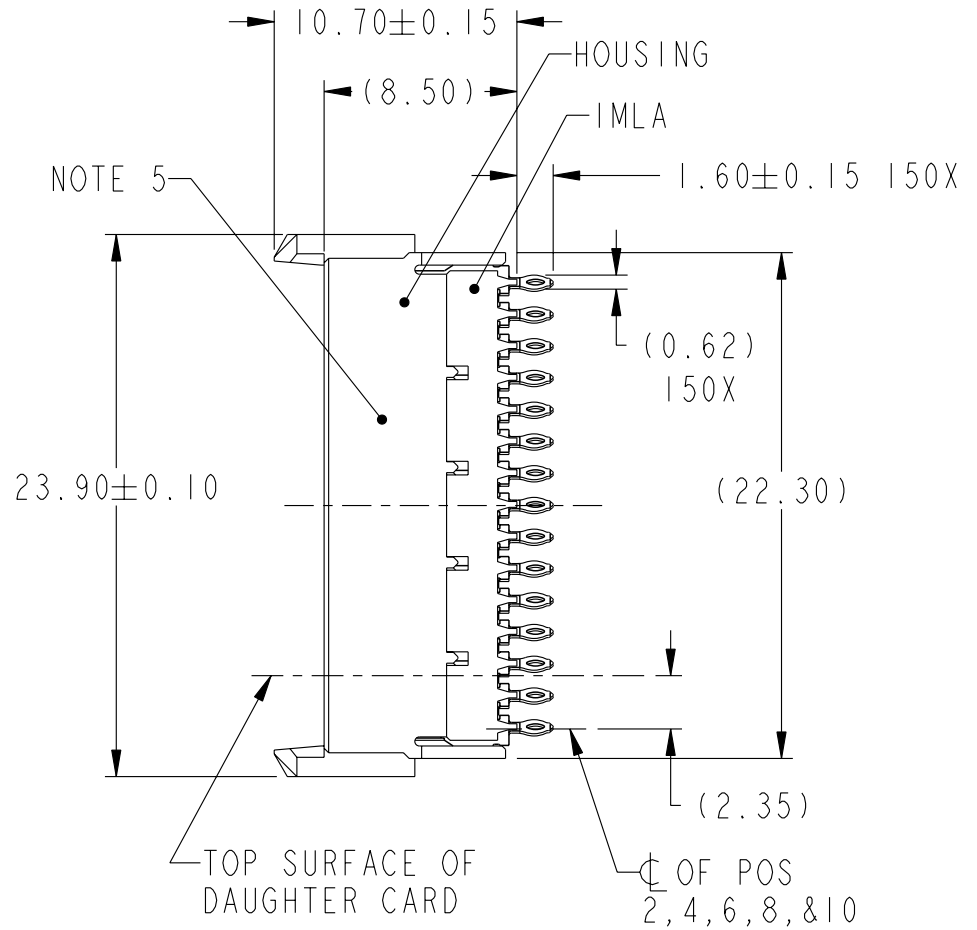
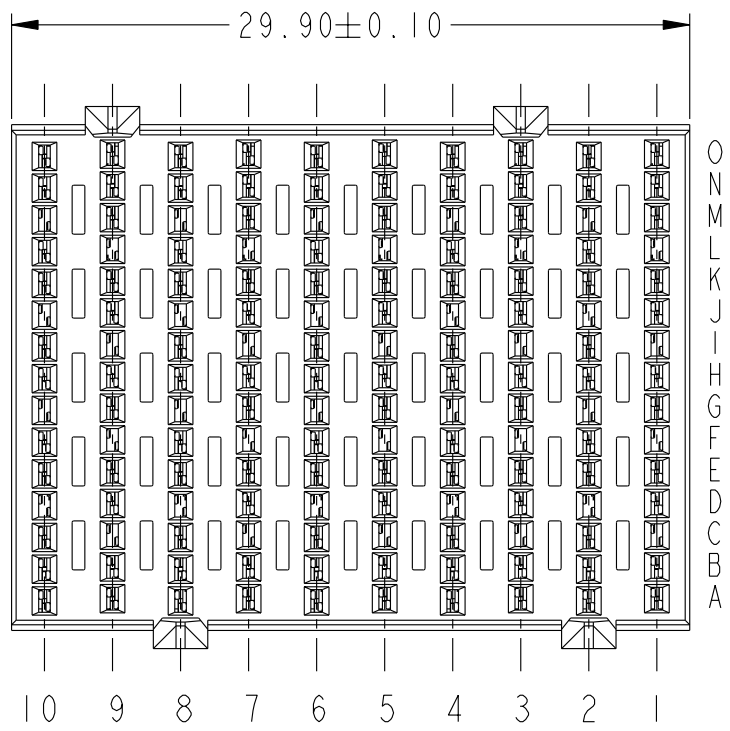
Product number
SEE TABLE, SHEET 4

A

B

C

D



A

B

C

D



Copyright FCI.

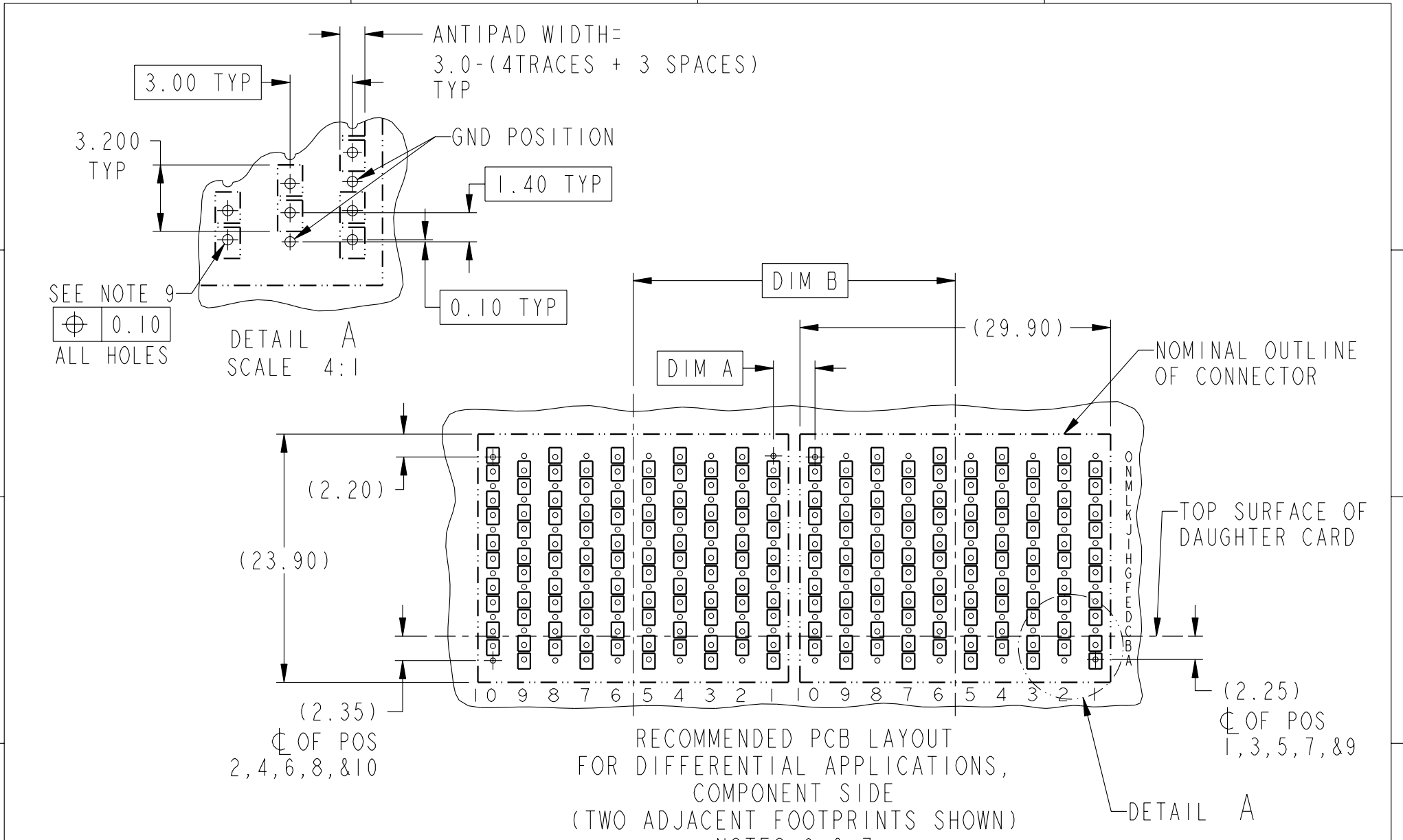
www.fciconnect.com		surface - ASME Y14.5	tolerance std - ASME Y14.5	projection	MM
		TOLERANCES UNLESS OTHERWISE SPECIFIED			
Dr	T. HOUTZ	2003-10-08	ANGULAR	0.X	±
Eng	S. MINICH	2003-10-08	LINEAR	0.XX	±
Chr	C. H. TAN	2007-03-27	0° ±°	0.XXX	±
Appr	JOEY NG	2007-03-27	Product family AirMax VS		Spec ref
			title AirMax VS VERT RECPT ASSY PRESS-FIT, 150 POSITION, 30mm		dwg no 10035146 Rev. B
			catalog no	CUSTOMER	sheet 1 of 4

rev	ecn no	dr	date
A	S06-0112	CH	2006-03-21
B	S07-0090	CH	2007-03-07
-	-	-	-
-	-	-	-
-	-	-	-
-	-	-	-

REV F - 2006-04-17



Copyright FCI.



ADJACENT HEADER WIDTHS	DIM A	DIM B
30MM/30MM	3.00	30.00
32MM/32MM	5.00	32.00
30MM/32MM	4.00	31.00

	title AirMax VS VERT RECPT ASSY PRESS-FIT, 150 POSITION, 30mm	dwg no 10035146	Rev. B
	catalog no -	CUSTOMER	sheet 2 of 4

REV F - 2006-04-17

1

2

3

4

A

B

C

D

A

B

C

D

3.00 TYP

ANTIPAD WIDTH =
3.0 - (4 TRACES + 3 SPACES)
TYP

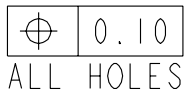
1.80
TYP

GND POSITION

1.40 TYP

0.10 TYP

SEE NOTE 9



DETAIL B
SCALE 4:1

DIM D

DIM C

(29.90)

NOMINAL OUTLINE
OF CONNECTOR

(2.20)

(23.90)

TOP SURFACE OF
DAUGHTER CARD

(2.35)
Ø OF POS
2, 4, 6, 8, & 10

(2.25)
Ø OF POS
1, 3, 5, 7, & 9

RECOMMENDED PCB LAYOUT
FOR SINGLE ENDED APPLICATIONS,
COMPONENT SIDE
(TWO ADJACENT FOOTPRINTS SHOWN)
NOTES 6 & 7

DETAIL B

ADJACENT HEADER WIDTHS	DIM C	DIM D
30MM/30MM	3.00	30.00
32MM/32MM	5.00	32.00
30MM/32MM	4.00	31.00

	title AirMax VS VERT RECPT ASSY PRESS-FIT, 150 POSITION, 30mm	dwg no 10035146	Rev. B
	catalog no -	CUSTOMER	sheet 3 of 4

REV F - 2006-04-17

2

PDM: Rev:B

STATUS: Released

Printed: Nov 30, 2010



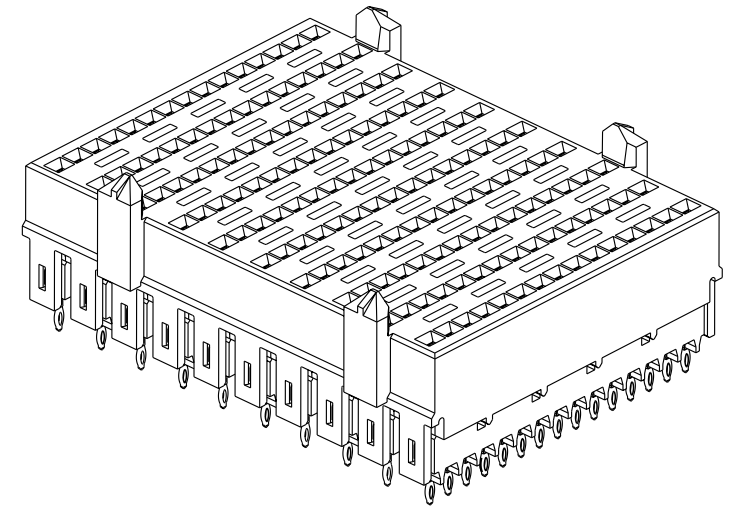
Copyright FCI.

PART NUMBER	PRESS-FIT TAIL PLATING TYPE
10035146-101	TIN/LEAD OVER NICKEL
10035146-101LF	TIN OVER NICKEL (LEAD FREE)

NOTES:

1. CONNECTOR MATERIALS:
HOUSING & RETAINER: HIGH TEMP THERMOPLASTIC, NATURAL, UL94V-0
IMLA PLASTIC: HIGH TEMP THERMOPLASTIC, BLACK, UL94V-0
CONTACT: COPPER ALLOY
2. CONTACT PLATING:
SEPARABLE INTERFACE: PERFORMANCE-BASED PLATING, QUALIFIED TO MEET THE REQUIREMENTS OF FCI PRODUCT SPECIFICATION GS-12-239, INCLUDING TELCORDIA GR-1217-CORE (November 1995) CENTRAL OFFICE TEST SEQUENCE

PRESS-FIT TAILS: SEE TABLE
3. PRODUCT SPECIFICATION: GS-12-239
4. APPLICATION SPECIFICATION: GS-20-035
5. PRODUCT MARKING, (PART NUMBER & LOT CODE), ON THIS SURFACE
6. REFER TO CUSTOMER DRAWING 10035911 FOR INFORMATION REGARDING PCB LAYOUT OF POWER AND GUIDE MODULES RELATIVE TO SIGNAL MODULES
7. POSITIONS F & L OF ODD NUMBERED COLUMNS AND POSITIONS G & M OF EVEN NUMBERED COLUMNS CORRESPOND TO EARLY MATE HEADER PINS
8. THERE IS NO GROUND BUSSING WITHIN THE CONNECTOR SYSTEM
9. REFER TO CUSTOMER DRAWING 10045979 FOR INFORMATION ON PCB HOLE DIAMETERS AND PLATING OPTIONS.
10. THIS PRODUCT MEETS EUROPEAN UNION DIRECTIVES AND OTHER COUNTRY REGULATIONS AS DESCRIBED IN GS-22-008.
11. THE HOUSING WILL WITHSTAND EXPOSURE TO 260°C PEAK TEMPERATURE FOR 40 SECONDS IN A CONVECTION, INFRA-RED OR VAPOR PHASE REFLOW OVEN.
12. PACKAGING MEETS GS-14-920 LEAD FREE LABELING SPECIFICATION.



Copyright FCI.

	title AirMax VS VERT RECPT ASSY PRESS-FIT, 150 POSITION, 30mm	dwg no 10035146	Rev. B
	catalog no -	CUSTOMER	sheet 4 of 4