

## FLAT AND DOME SCREW COVER, CONTOURED, TYPE 4



CSA, File No. 42186: Type 4, 12, and 13  
IEC 60529, IP67

### APPLICATION

An economical solution for a broad range of electrical and terminal wiring applications that don't require a back panel, this enclosure features aesthetic, rounded corners and is available in flat and dome cover models for mounting flexibility.

### SPECIFICATIONS

- Drawn 16 gauge steel
- No welded seams or sharp corners
- Cover screws
- Formed flanged cover
- Oil-resistant gasket
- External welded-on mounting brackets for easy installation
- Bonding provision on cover
- Grounding stud on body

### FINISH

ANSI 61 gray polyester powder paint inside and out

### ACCESSORIES

See also *Accessories*.

### MODIFICATION AND CUSTOMIZATION

Hoffman excels at modifying and customizing products to your specifications. Contact your local Hoffman sales office or distributor for complete information.

**BULLETIN: A51DR**

### INDUSTRY STANDARDS

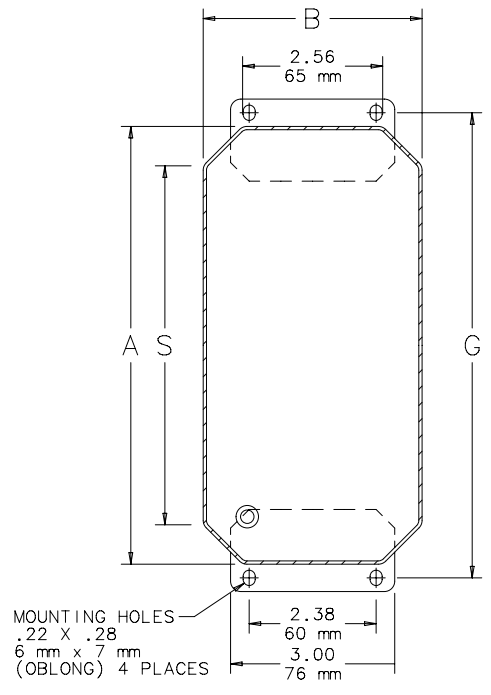
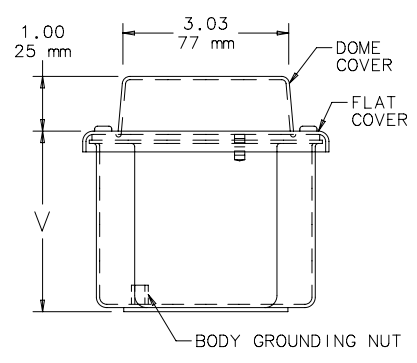
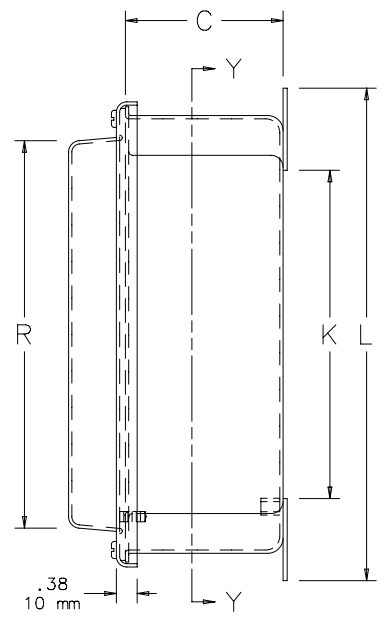
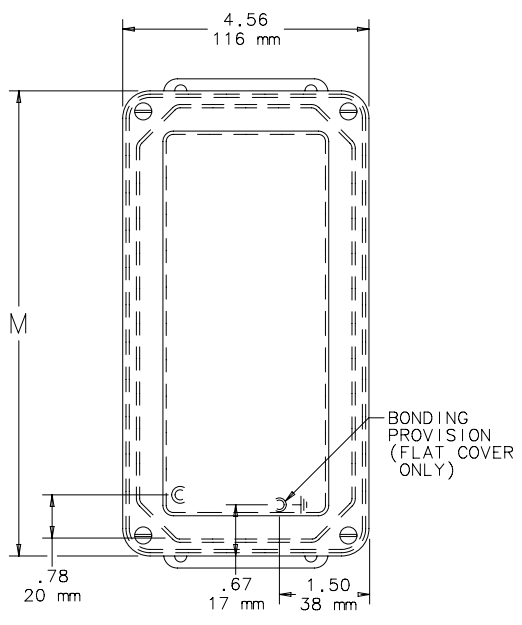
UL 508A Listed; Type 4, 6, 12, 13; File No. E61997  
cUL Listed per CSA C22.2 No. 94; Type 4, 6, 12, 13; File No. E61997

NEMA Type 4, 6, 12, and 13

Standard Product

Catalog Number	AxBxC in./mm	Interior Volume (in. <sup>3</sup> )	Mounting G in./mm	Cover Type	K in./mm	L in./mm	M in./mm	R in./mm	S in./mm	V in./mm
A443DSC	3.50 x 4.00 x 2.75 89 x 102 x 70	32.6	4.00 102	Flat	1.50 38	4.50 114	4.06 103	n/a n/a	2.06 52	2.98 76
A643DSC	5.75 x 4.00 x 2.75 146 x 102 x 70	55.9	6.25 159	Flat	3.75 95	6.75 171	6.31 160	n/a n/a	4.31 109	2.98 76
A843DSC	8.00 x 4.00 x 2.75 203 x 102 x 70	79.4	8.50 216	Flat	6.00 152	9.00 229	8.56 217	n/a n/a	6.56 167	2.98 76
A1043DSC	10.25 x 4.00 x 2.75 260 x 102 x 70	102.8	10.75 273	Flat	8.25 210	11.25 286	10.81 275	n/a n/a	8.81 224	2.98 76
A445DSC	3.50 x 4.00 x 4.75 89 x 102 x 121	44.7	4.00 102	Dome	1.50 38	4.50 114	4.06 103	2.53 64	2.06 52	3.98 101
A645DSC	5.75 x 4.00 x 4.75 146 x 102 x 121	76.9	6.25 159	Dome	3.75 95	6.75 171	6.31 160	4.78 121	4.31 109	3.98 101
A845DSC	8.00 x 4.00 x 4.75 203 x 102 x 121	109.1	8.50 216	Dome	6.00 152	9.00 229	8.56 217	7.03 179	6.56 167	3.98 101
A1045DSC	10.25 x 4.00 x 4.75 260 x 102 x 121	141.2	10.75 273	Dome	8.25 210	11.25 286	10.81 275	9.25 235	8.81 224	3.98 101

Domed-cover enclosure depth = V + 1 in. (25 mm)



SECTION Y-Y

C2473-C