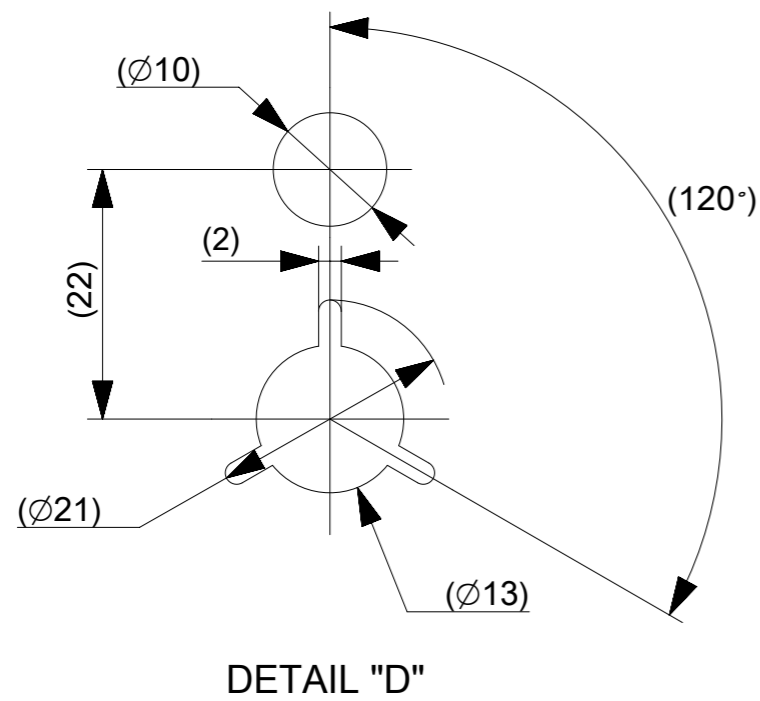
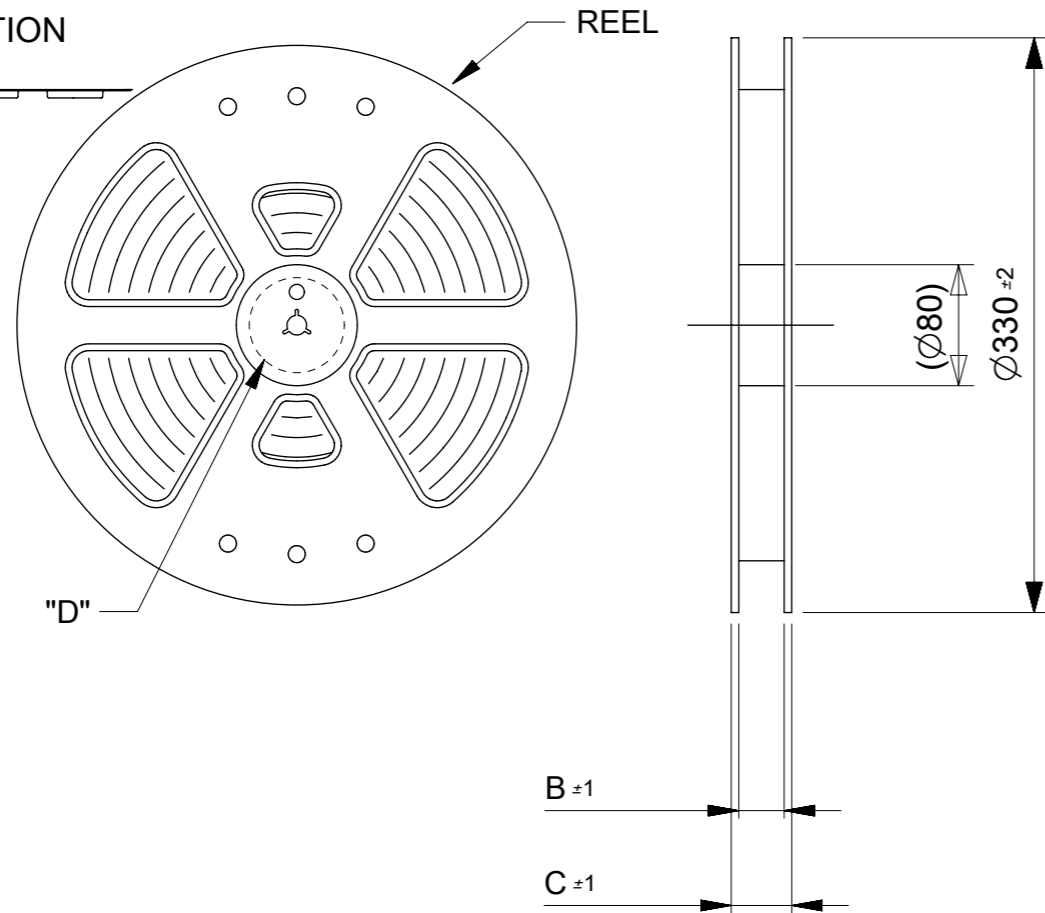
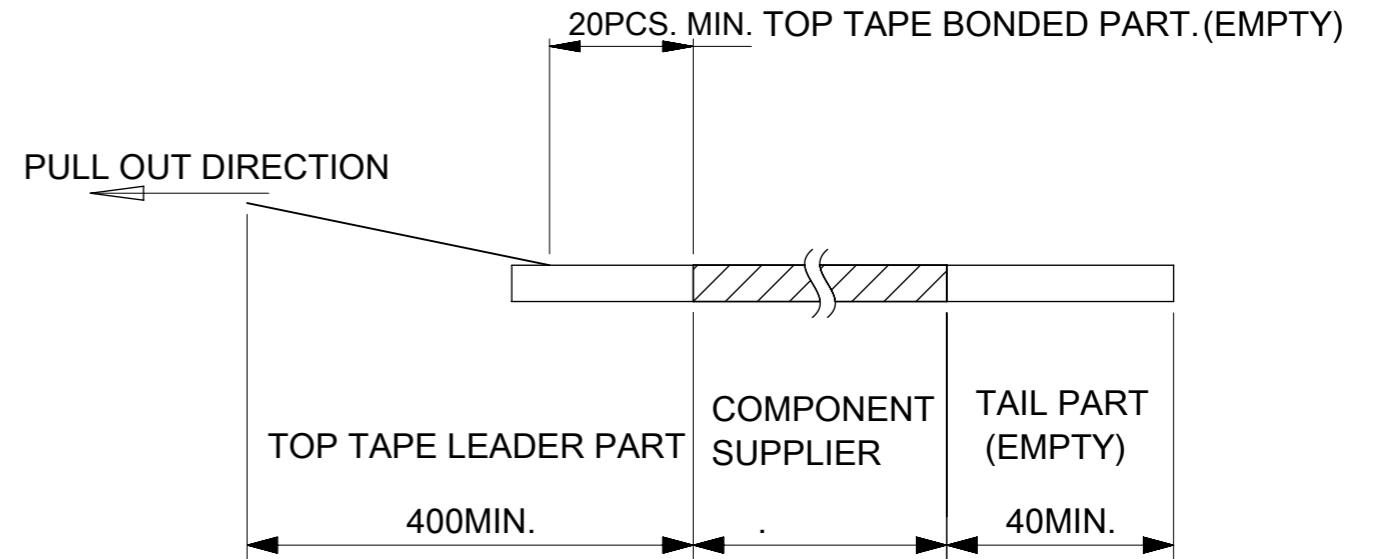


PULL OUT DIRECTION



NOTES

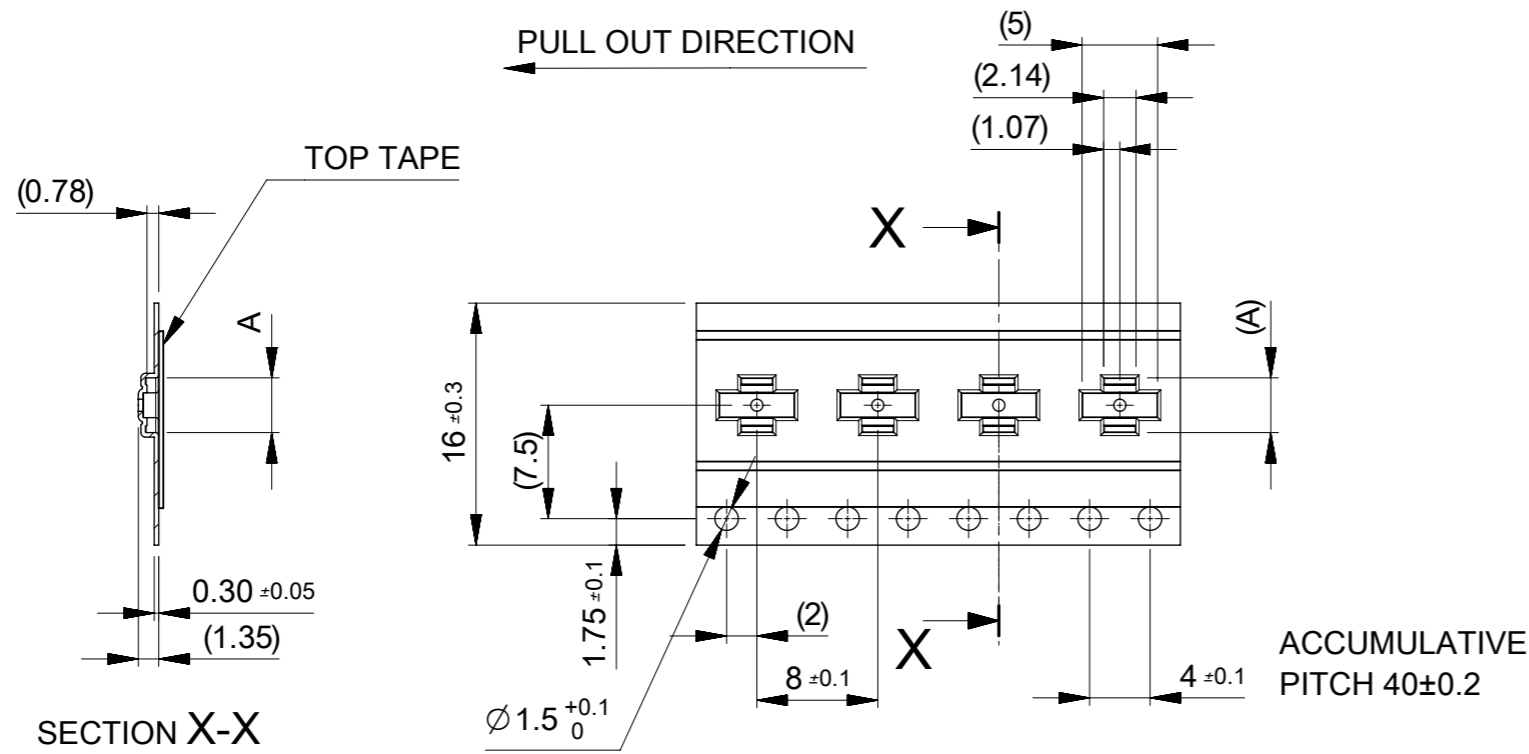
1. RE DETAILED DIMENSION, SEE PRODUCT DRAWING.
2. NUMBER OF CONNECTORS : 6000 PCS/REEL.
3. LEAD TAPE LENGTH.



4. TOP TAPE PEEL FORCE IS DEFINED BY IEC60286-3
5. MATERIAL
CARRER TAPE :POLYSTYRENE
TOP TAPE :PET , OTHER
REEL :POLYSTYRENE(PS)(RECYCLE MATERIAL CONTAINED)
6. ELV AND RoHS COMPLIANT

MODEL NO. 505066-**20

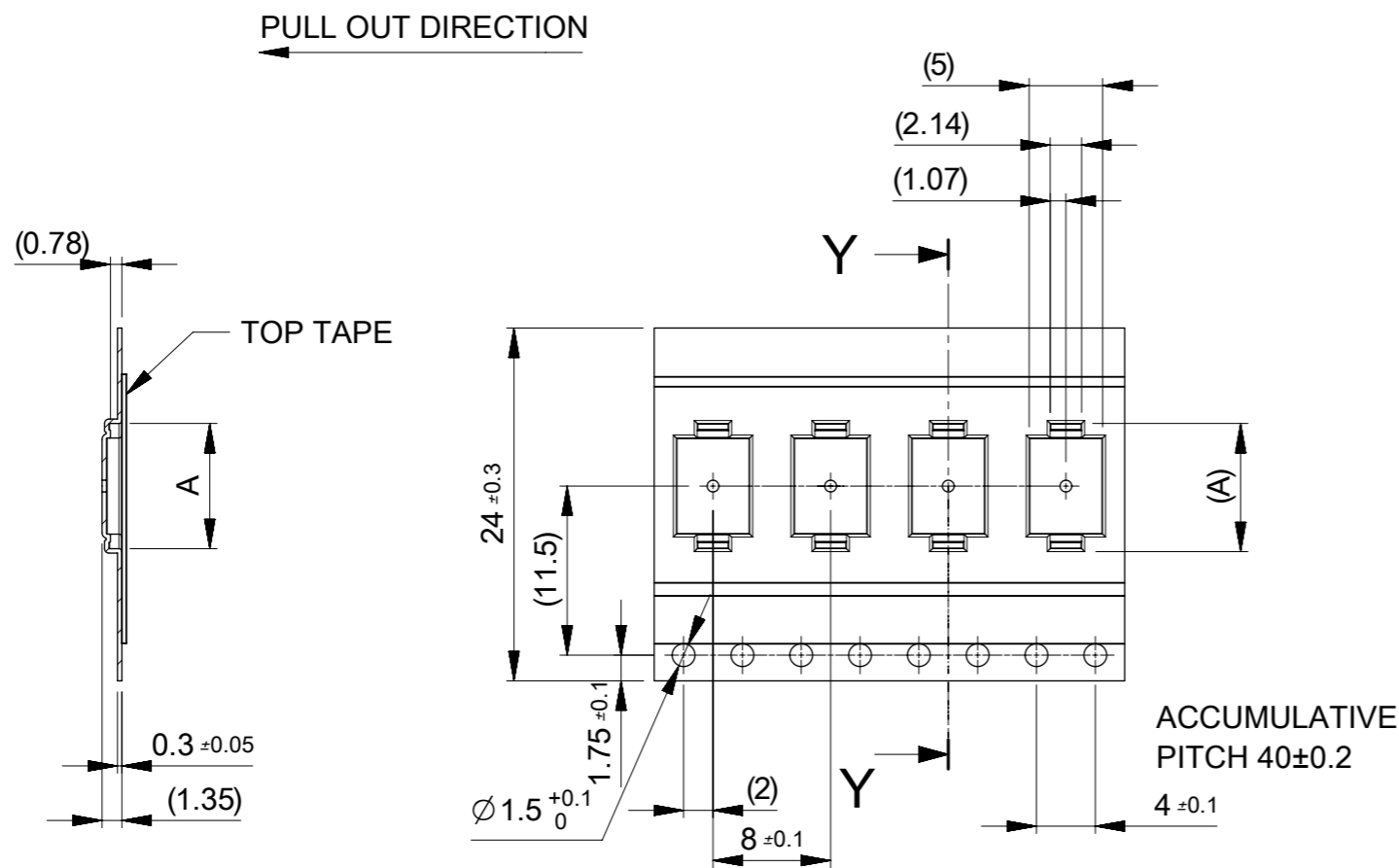
THIS DRAWING CONTAINS INFORMATION THAT IS PROPRIETARY TO MOLEX ELECTRONIC TECHNOLOGIES, LLC AND SHOULD NOT BE USED WITHOUT WRITTEN PERMISSION									
RELEASED	EC NO. 109660	2016/11/17	GENERAL TOLERANCES (UNLESS SPECIFIED)		DIMENSION UNITS	SCALE	molex [®]		
	DRWN: TSOMEYA	2016/12/01	ANGULAR TOL ± 1.0 °		MM	1:5			
	CHK'D: KTANAKA03	2016/12/01	4 PLACES	± 0.01	DRWN BY	DATE	PRODUCT CUSTOMER DRAWING		
	APPR: TKUSUHARA01	2016/12/01	3 PLACES	± 0.03	CHK'D BY	DATE			
			2 PLACES	± 0.05	KTANAKA03	2016/12/01	505066	SEE CHART	GENERAL
		1 PLACE	± 0.1	APPR BY	DATE	DOCUMENT NUMBER DOC TYPE DOC PART SHEET NUMBER			
		0 PLACES	± 0.2	TKUSUHARA01	2016/12/01	5050660000	PSD	001	1 OF 3
A	REV	DRAFT WHERE APPLICABLE MUST REMAIN WITHIN DIMENSIONS		DRAWING SIZE	THIRD ANGLE PROJECTION				
				A3					



16	21.4	17.4	7.82	505066-3020	○	---	30
			6.77	505066-2420	○	---	24
			6.42	505066-2220	○	---	22
			6.07	505066-2020	○	---	20
			5.72	505066-1820	---	---	18
			5.37	505066-1620	○	---	16
			5.02	505066-1420	○	---	14
			4.67	505066-1220	○	---	12
			4.32	505066-1020	○	---	10
			3.97	505066-0820	---	○	8
3.62	505066-0620	○	---	6			
キャリアテープ幅 CARRIER TAPE WIDTH	C	B	(A)	MATERIAL No.	HIGH VOL. TOOL	LOW VOL. TOOL	CIRCUIT
					SAMPLE PREPARATION		

THIS DRAWING CONTAINS INFORMATION THAT IS PROPRIETARY TO MOLEX ELECTRONIC TECHNOLOGIES, LLC AND SHOULD NOT BE USED WITHOUT WRITTEN PERMISSION

EC NO: 109660 DRWN: TSOMEYA CHK'D: KTANAKA03 APPR: TKUSUHARA01	2016/11/17	GENERAL TOLERANCES (UNLESS SPECIFIED) ANGULAR TOL ± 1.0 ° 4 PLACES ± 0.01 3 PLACES ± 0.03 2 PLACES ± 0.05 1 PLACE ± 0.1 0 PLACES ± 0.2	DIMENSION UNITS	SCALE				
	RELEASED		MM	2:1				
	2016/12/01		DRWN BY	DATE		0.35 BB CONN. H=0.6 SSB6 RP REC ASSY		
	2016/12/01		TSOMEYA	2016/11/17		PRODUCT CUSTOMER DRAWING		
			CHK'D BY	DATE		SERIES	MATERIAL NUMBER	CUSTOMER
	KTANAKA03	2016/12/01	505066	SEE CHART	GENERAL			
	APPR BY	DATE	DRAWING SIZE	THIRD ANGLE PROJECTION	DOCUMENT NUMBER	DOC TYPE	DOC PART	SHEET NUMBER
	TKUSUHARA01	2016/12/01	A3		5050660000	PSD	001	2 OF 3

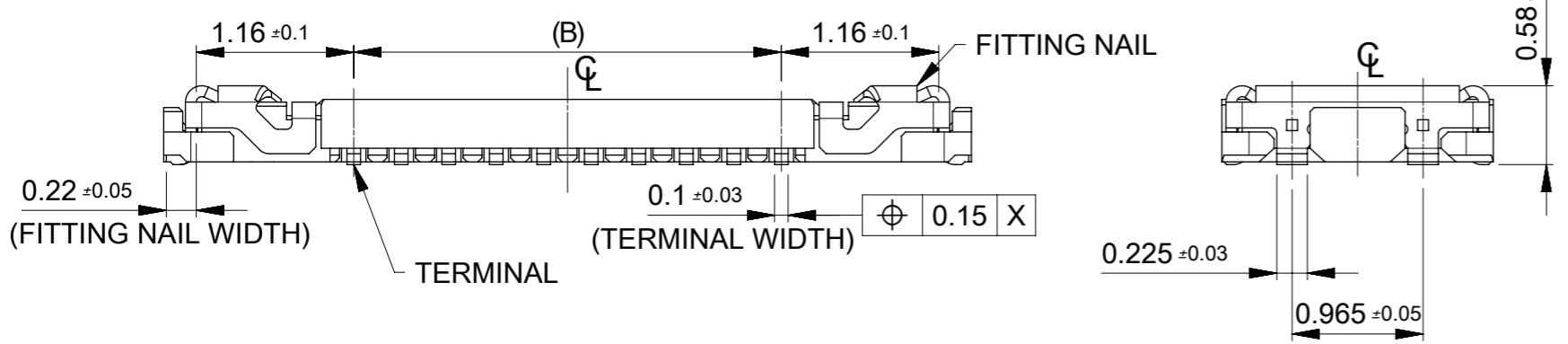
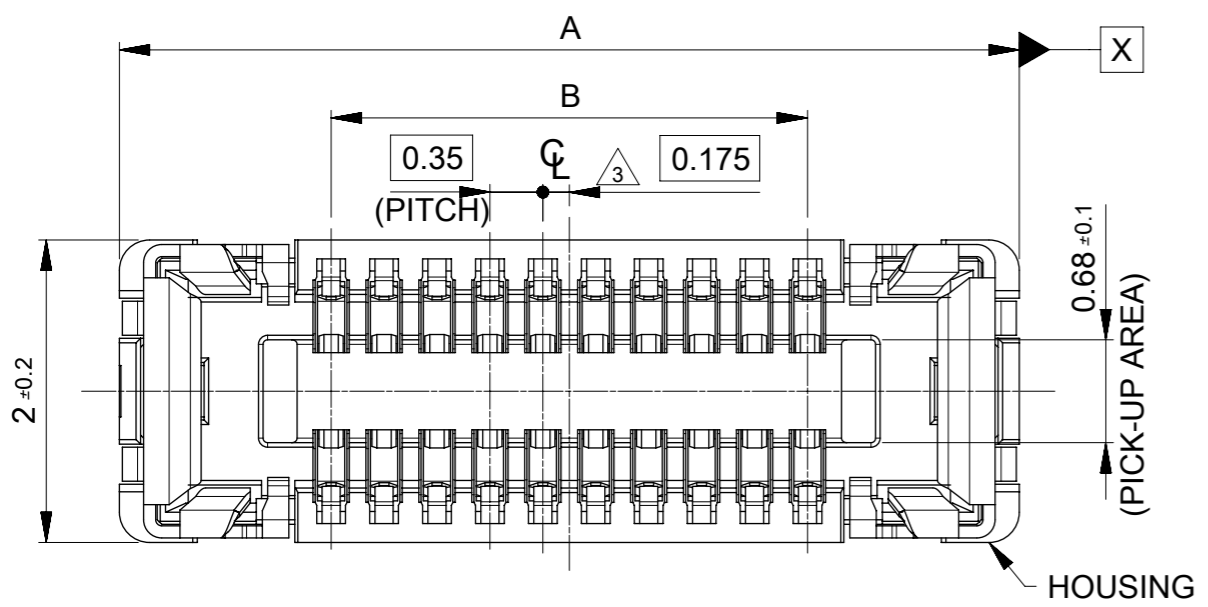


SECTION Y-Y

24	29.4	25.4	13.77	505066-6420	---	---	64	
			13.07	505066-6020	---	---	60	
			12.02	505066-5420	○	---	54	
			11.32	505066-5020	○	---	50	
			10.99	505066-4820	○	---	48	
			10.62	505066-4620	---	---	46	
			9.92	505066-4220	○	---	42	
			9.57	505066-4020	○	---	40	
			8.52	505066-3420	○	---	34	
キャリアテープ幅 CARRIER TAPE WIDTH		C	B	(A)	MATERIAL No.	HIGH VOL TOOL	LOW VOL TOOL	CIRCUIT
						SAMPLE PREPARATION		

THIS DRAWING CONTAINS INFORMATION THAT IS PROPRIETARY TO MOLEX ELECTRONIC TECHNOLOGIES, LLC AND SHOULD NOT BE USED WITHOUT WRITTEN PERMISSION

EC NO: 109660 DRWN: TSOMEYA CHK'D: KTANAKA03 APPR: TKUSUHARA01	2016/11/17	GENERAL TOLERANCES (UNLESS SPECIFIED) ANGULAR TOL ± 1.0 ° 4 PLACES ± 0.01 3 PLACES ± 0.03 2 PLACES ± 0.05 1 PLACE ± 0.1 0 PLACES ± 0.2	DIMENSION UNITS	SCALE				
	2016/12/01		MM	2:1				
	2016/12/01		DRWN BY	DATE		0.35 BB CONN. H=0.6 SSB6 RP REC ASSY		
			TSOMEYA	2016/11/17				
			KTANAKA03	2016/12/01				
			CHK'D BY	DATE	PRODUCT CUSTOMER DRAWING			
			TKUSUHARA01	2016/12/01				
			APPR BY	DATE	SERIES	MATERIAL NUMBER	CUSTOMER	
			TKUSUHARA01	2016/12/01	505066	SEE CHART	GENERAL	
			DRAWING SIZE	THIRD ANGLE PROJECTION	DOCUMENT NUMBER	DOC TYPE	DOC PART	SHEET NUMBER
			A3		5050660000	PSD	001	3 OF 3



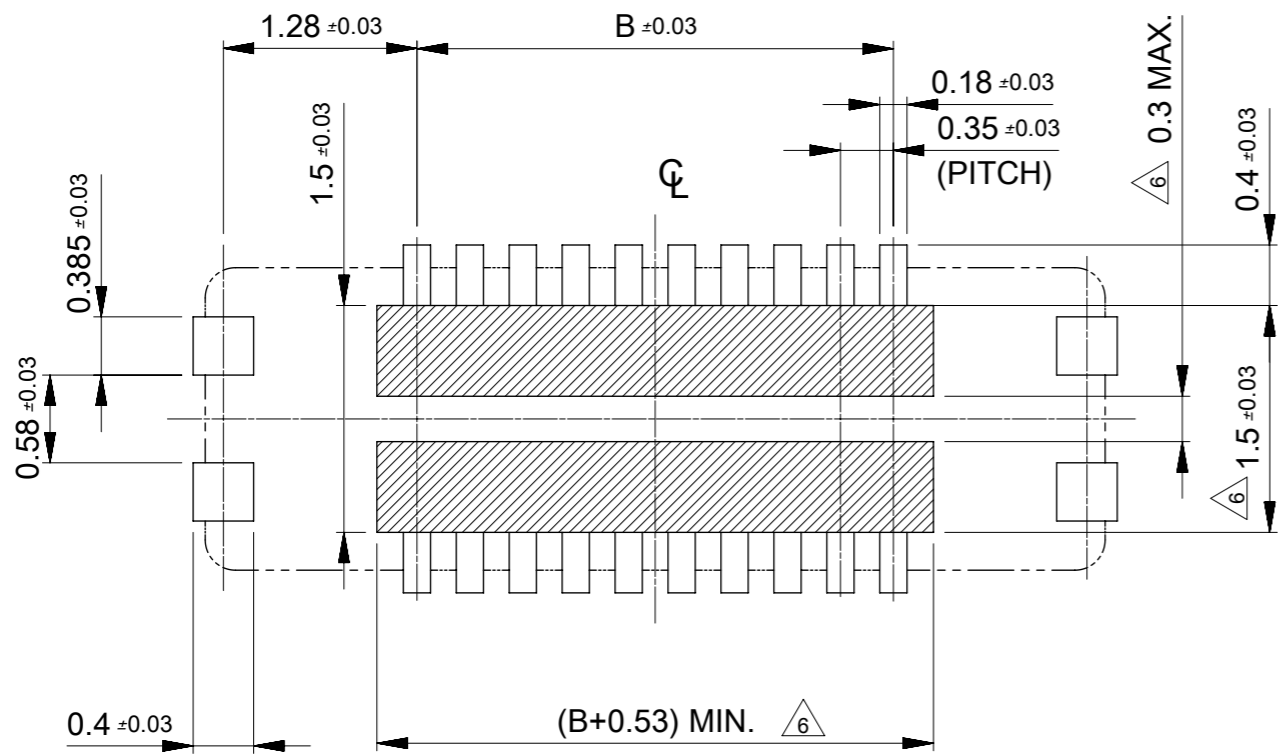
NOTES

- 1 MATERIAL
 WAFER: LIQUID CRYSTAL POLYMER UL94V-0 (COLOR: BLACK)
 TERMINAL: COPPER ALLOY
 FITTING NAIL: COPPER ALLOY
- 2 PLATING
 TERMINAL:
 CONTACT AREA: SEPARATED GOLD PLATING (0.1 MICROMETER MINIMUM).
 SOLDER TAIL AREA: SEPARATED GOLD PLATING.
 UNDERPLATE: NICKEL OVERALL.
 *DIVIDE INTO PARTS THE GOLD PLATING OF THE CONTACT AND THE TAIL PART BY THE NICKEL PLATING.
 FITTING NAIL:
 CONTACT AREA: SEPARATED GOLD PLATING (0.1 MICROMETER MINIMUM).
 SOLDER TAIL AREA: SEPARATED GOLD PLATING.
 UNDERPLATE: NICKEL OVERALL.
 *DIVIDE INTO PARTS THE GOLD PLATING OF THE CONTACT AND THE TAIL PART BY THE NICKEL PLATING.
 *EVEN THOUGH GOLD PLATING ON THE TOP SURFACE OF NAIL MIGHT BE THIN, NO FUNCTIONAL PROBLEM.
- 3 APPLY FOR (CIRCUIT/2)=EVEN.
- 4 MATE WITH : 505070-**10/505070-**20
- 5 TAIL AND FITTING NAIL COPLANARITY TO BE 0.08 MAXIMUM.
- 6 PROHIBITED AREA OF PATTERN WIRING AND SOLDER.
 (FOR EACH AREA, THE WIRING THAT TOUCHES ON THE SOLDER CAN BE ATTACHED, THEN COVERED WITH A FILM TO KEEP SOLDER OUT).
- 7 ELV and RoHS COMPLIANT.

11.90	14.70	505066-7020	---	---	70
10.85	13.65	505066-6420	---	---	64
10.15	12.95	505066-6020	---	---	60
9.80	12.60	505066-5820	---	---	58
9.10	11.90	505066-5420	○	---	54
8.40	11.20	505066-5020	○	---	50
8.05	10.85	505066-4820	○	---	48
7.70	10.50	505066-4620	---	---	46
7.00	9.80	505066-4220	○	---	42
6.65	9.45	505066-4020	○	---	40
6.30	9.10	505066-3820	---	---	38
5.60	8.40	505066-3420	○	---	34
4.90	7.70	505066-3020	○	---	30
3.85	6.65	505066-2420	○	---	24
3.50	6.30	505066-2220	○	---	22
3.15	5.95	505066-2020	○	---	20
2.80	5.60	505066-1820	---	---	18
2.45	5.25	505066-1620	○	---	16
2.10	4.90	505066-1420	○	---	14
1.75	4.55	505066-1220	○	---	12
1.40	4.20	505066-1020	○	---	10
1.05	3.85	505066-0820	---	○	8
0.70	3.50	505066-0620	○	---	6
B	A	EMBOSSED TAPE PACKAGE	HIGH VOL. TOOL	LOW VOL. TOOL	CIRCUIT
		ORDER NO.	SAMPLE PREPARATION ○ : TOOLED △ : WORK IN PROCESS --- : TOOLING TO BE CONFIRMED		
CONNECTOR SERIES No. : 505066-**09					

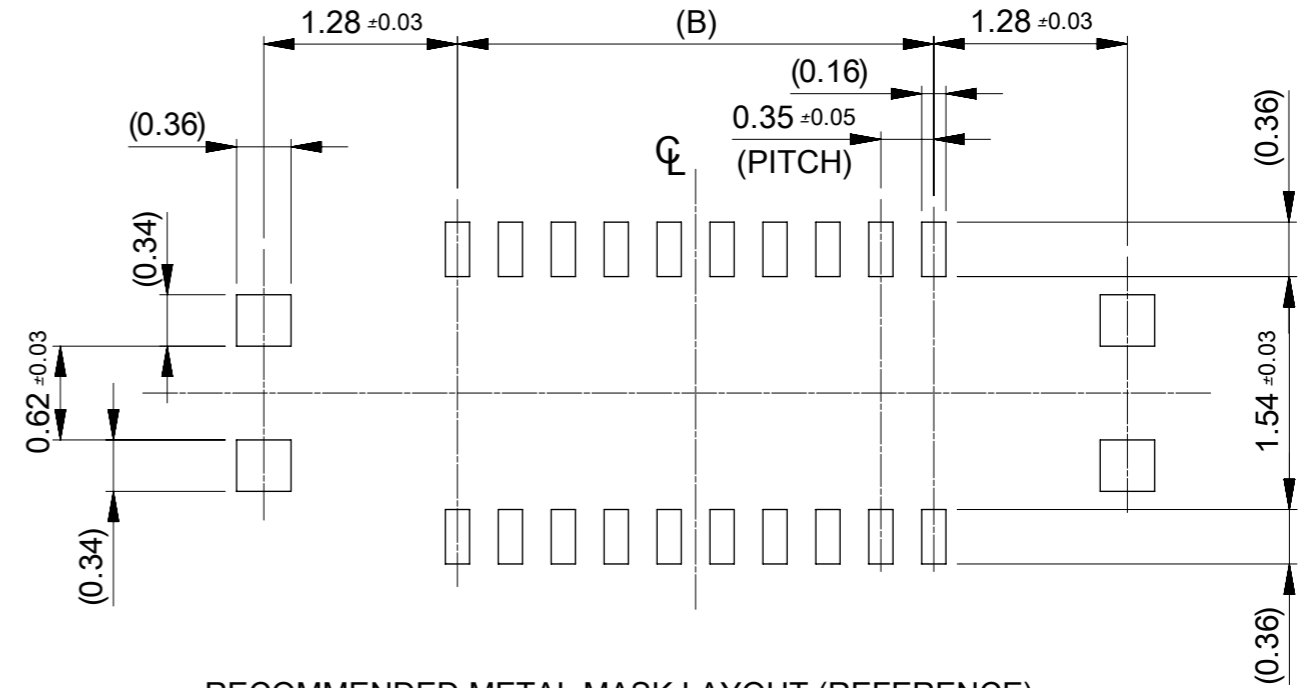
THIS DRAWING CONTAINS INFORMATION THAT IS PROPRIETARY TO MOLEX ELECTRONIC TECHNOLOGIES, LLC AND SHOULD NOT BE USED WITHOUT WRITTEN PERMISSION

EC NO: 111141 DRWN: TSOMEYA CHK'D: TASAKAWA APPR: TKUSUHARA01	2016/12/06 2016/12/06 2016/12/06	GENERAL TOLERANCES (UNLESS SPECIFIED) ANGULAR TOL ± 1.0 ° 4 PLACES ± 0.001 3 PLACES ± 0.003 2 PLACES ± 0.03 1 PLACE ± 0.1 0 PLACES ± 0.2	DIMENSION UNITS: MM SCALE: 20:1 DRWN BY: TSOMEYA DATE: 2016/06/21 CHK'D BY: KTANAKA03 DATE: 2016/12/01 APPR BY: TKUSUHARA01 DATE: 2016/12/01			
	DRAFT WHERE APPLICABLE MUST REMAIN WITHIN DIMENSIONS		DRAWING SIZE: A3 THIRD ANGLE PROJECTION	0.35 BB CONN. H=0.6 SSB6 RP REC ASSY		
	PRODUCT CUSTOMER DRAWING			SERIES: 505066 MATERIAL NUMBER: SEE CHART CUSTOMER: GENERAL		
				DOCUMENT NUMBER: 5050661000 DOC TYPE: PSD DOC PART: 001 SHEET NUMBER: 1 OF 2		



RECOMMENDED P.W. BOARD PATTERN LAYOUT (REFERENCE)

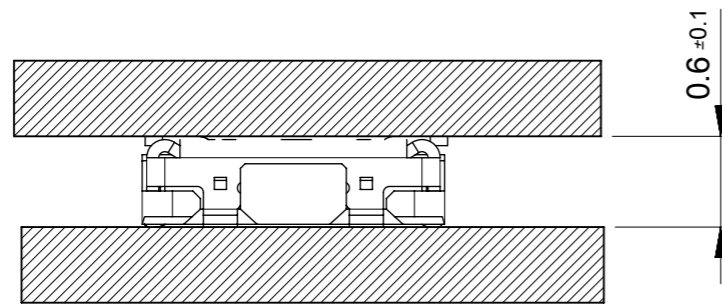
△ PROHIBITED AREA OF PATTERN WIRING AND SOLDER
 (FOR EACH AREA, THE WIRING THAT TOUCHES ON THE SOLDER CAN BE ATTACHED, THEN COVERED WITH A FILM TO KEEP SOLDER OUT)



RECOMMENDED METAL MASK LAYOUT (REFERENCE)

RECOMMENDED THICKNESS OF METAL MASK : t=0.08mm

RECOMMENDED OPEN APERTURE RATIO OF METAL MASK : 80%



MATED CONDITION

THIS DRAWING CONTAINS INFORMATION THAT IS PROPRIETARY TO MOLEX ELECTRONIC TECHNOLOGIES, LLC AND SHOULD NOT BE USED WITHOUT WRITTEN PERMISSION

REVISED EC NO: 111141 DRWN: TSOMEYA CHK'D: TASAKAWA APP: TKUSUHARA01	2016/12/06	2016/12/06	2016/12/06	GENERAL TOLERANCES (UNLESS SPECIFIED)	DIMENSION UNITS	SCALE	molex®			
	4 PLACES	± 0.001	ANGULAR TOL ± 1.0 °		MM	20:1				
	3 PLACES	± 0.003	2 PLACES		± 0.03	DRWN BY	DATE	0.35 BB CONN. H=0.6 SSB6 RP REC ASSY		
	1 PLACE	± 0.1	0 PLACES		± 0.2	TSOMEYA	2016/06/21			
DRAFT WHERE APPLICABLE MUST REMAIN WITHIN DIMENSIONS				DRAWING SIZE	THIRD ANGLE PROJECTION	PRODUCT CUSTOMER DRAWING				
				A3			SERIES	MATERIAL NUMBER	CUSTOMER	
						505066	SEE CHART	GENERAL		
						DOCUMENT NUMBER		DOC TYPE	DOC PART	SHEET NUMBER
						5050661000		PSD	001	2 OF 2