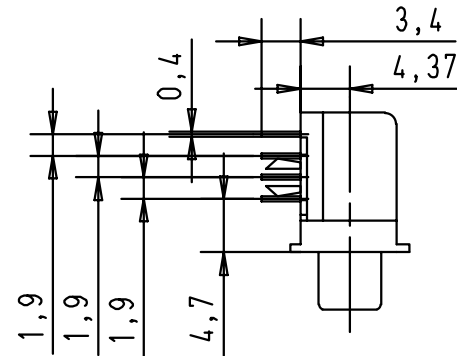
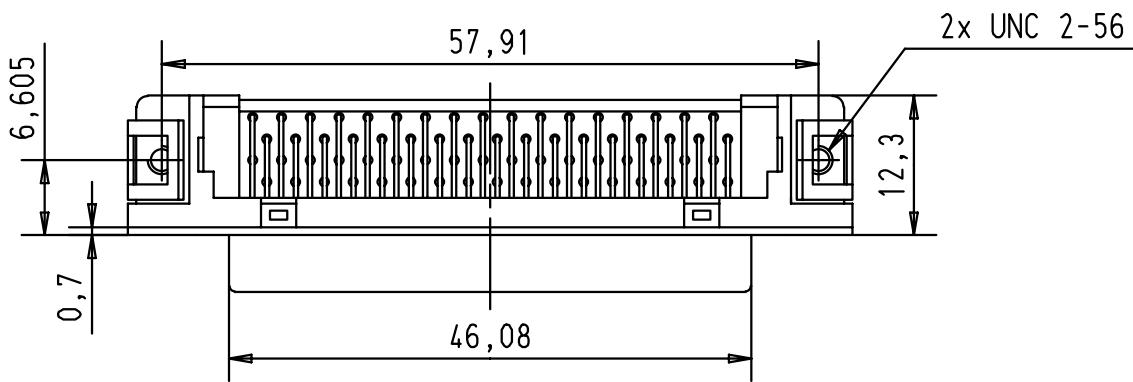
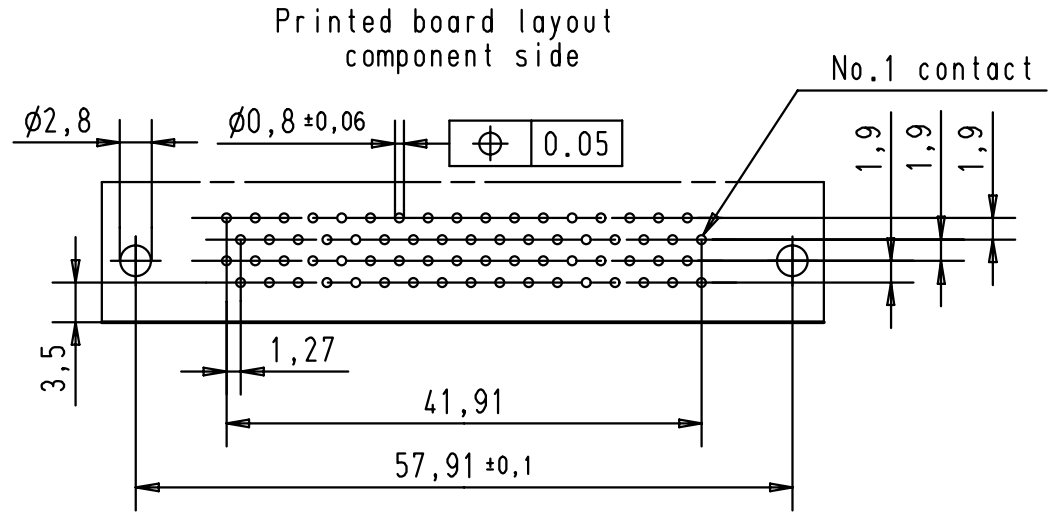
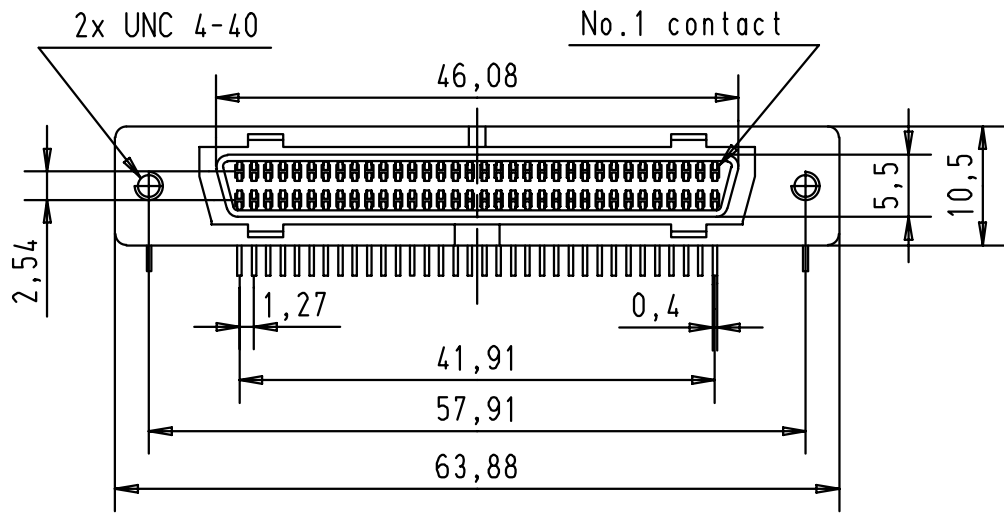




5 4 3 2 1



A

				Dat.	Name	 All Dim. in mm Orig. Size DIN A 4	har.mik® I/O pin/socket 68 poles female connector with angled solder pins and without female screw lock	Maßstab/ Scale 1,5:1
			Detail.	21 JUN 01	S G			
			Insp.					
			Stand.					
29686	21 JUN 01	S G	HARTING EURL F-95972 Paris				TB 60 02 068 5150	Blatt/ Page 1 / 1
Mod.	Dat.	Name	Sub.					