



SSF67V Series

Continuous output level transducer



- 4-20mA transducer for safe area use (optional flameproof certification)
- Maximum process temperature 100°C
- Standard 10mm stepped accuracy
- Standard G1" Screwed entry (G1" to G2.5" possible)

Technical Specification

Mounting style	External	Connection	terminal block
Mounting thread	G1" (up to G2.5" possible)	Maximum Process Temperature	100°C
Stem material	Brass (optionally st/st)	Maximum Ambient Temperature	70°C
Float material	D300 closed cell PVC (opt. st/st)	Minimum ambient Temperature	-18°C
Enclosure material	Aluminium (opt. st/st)		

Electrical Specification

Output 4 to 20mA	4mA can be either High or Low
Input supply	15 to 30Vdc
Can be connected to analogue or digital displays	

Standard Parts

Upper Level	Measuring Span	Total Length
SSF67V70S500	70mm	500mm
SSF67V70S1000	70mm	1000mm
SSF67V70S1500	70mm	1500mm

This transducer will give an output of 4-20mA over a measuring span of up to 2500mm.

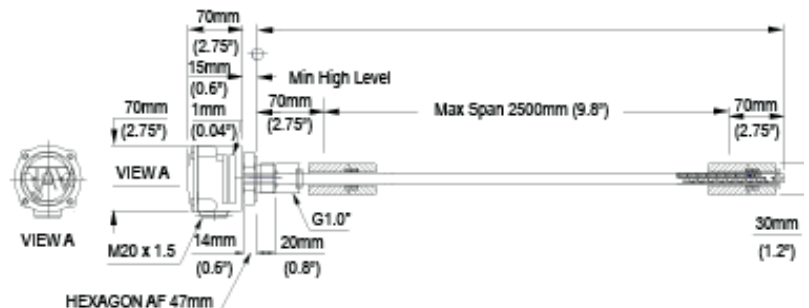
The standard output changes from 4mA at low level to 20mA at high level.

The transducer is top mounting, via a screwed entry, and is normally installed from outside the tank. The device has either a brass or stainless steel stem with either a foamed float or a stainless steel float

Volt free switches and resistors are mounted in the stem, to provide a varying resistance, as the float rises or falls, which is converted within the device into a 4 to 20mA stepped output.

Custom versions can be made for particular applications. Please contact Cynergy3 with your requirements.

All dimensions are in millimeters (inches)



Cynergy3 Components Ltd.
7 Cobham Road
Ferndown Industrial Estate
Wimborne, Dorset BH21 7PE
Telephone +44 (0) 1202 897969
Email: sales@cynergy3.com

ISO9001 CERTIFIED
SSF67V 2016

www.cynergy3.com