

7

6

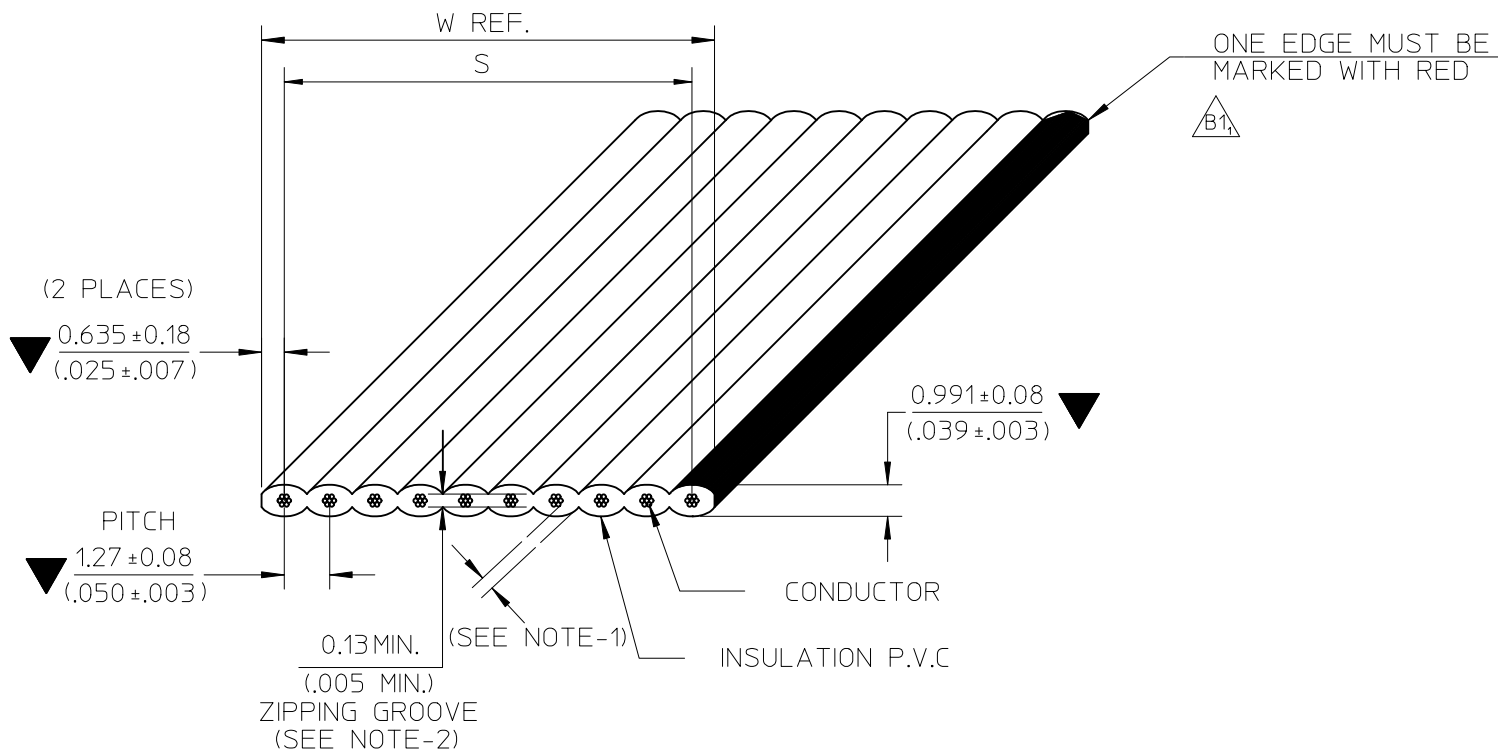
5

4

3

2

1



- NOTE :**
1. THE CABLE SHALL HAVE A MINIMUM OF 0.178mm. (.007") THICKNESS INSULATION AT ANY POINT
 2. RIP TEST:
 - THE 0.13mm. (.005") ZIPPING GROOVE SHALL BE CAPABLE OF BEING RIPPED BY HAND WITHIN THE RECESS, WITHOUT EXPOSING THE ADJACENT CONDUCTORS
 3. RoHS AND LEAD FREE COMPLIANT
 4. SPECIAL REQUIREMENT: N/A

PRODUCT APPLICATION	
<input checked="" type="checkbox"/>	GENERAL USE
<input type="checkbox"/>	AUTOMOTIVE
<input type="checkbox"/>	MEDICAL DEVICE

SEE CHANGE DETAIL		QUALITY SYMBOLS	GENERAL TOLERANCES (UNLESS SPECIFIED)		DIMENSION STYLE		SCALE	DESIGN UNITS	THIRD ANGLE PROJECTION	
EC NO.	DESCRIPTION		mm	INCH	MM/IN	NTS	INCH			
B1	THL2011-0054	▽=3 ◻=0	4 PLACES ±---	±---	CPANSAKHOM	DATE	TITLE	FCB ROUND CONDUCTOR 1.27MM(.050)CENTER PVC. 26AWG STRANDED TINNED		
B	2010/10/05		3 PLACES ±---	±---	CPANSAKHOM	2006/07/18				
A	2011/01/25		2 PLACES ±---	±---	PMEECHAI	DATE		MOLEX INCORPORATED		
	2011/03/31		1 PLACE ±---	±---	PMEECHAI	2006/07/18				
			ANGULAR ±---°		APPROVED BY		DATE		DOCUMENT NO.	
					SVIRAT JAPOL		2006/07/18			
			DRAFT WHERE APPLICABLE MUST REMAIN WITHIN DIMENSIONS		MATERIAL NO.		SEE CHART		SHEET NO.	
					SIZE		THIS DRAWING CONTAINS INFORMATION THAT IS PROPRIETARY TO MOLEX INCORPORATED AND SHOULD NOT BE USED WITHOUT WRITTEN PERMISSION		1 OF 3	
					A 4		SD-8863-001			

REV. HISTORY	EC NO.	DETAIL	DATE
B1	E-10-0371	B1 ₁ : REMOVE REELS MFG. IN NOG.	2011/01/25
B	E-07-0748	B ₁ : ADD NON-OPERATING TEMP.	2007/11/23
A	N/A	NEW RELEASE	2006/07/18

tb_frame_A4_P_ME_T
Rev. E 2006/04/15

6

5

4

3

2

1

7

6

5

4

3

2

1

SPECIFICATIONSPHYSICAL

CONDUCTOR SPACING -----1.27 (.050") \square TO \square
 WIRE GAUGE -----26 AWG(7/34) STRANDED TINNED
 INSULATION -----P.V.C GRAY (LEAD FREE)

AGENCY


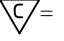
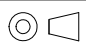

U.L. STYLE NO. -----2651
 TEMPERATURE RATING ----- -20°C TO 105°C
 VOLTAGE RATING -----300V.MAX.
 FLAMMABILITY RATING -----VW-1

ELECTRICAL

CONDUCTOR RESISTANCE (D.C.) -----43 m OHMS/FT. MAX.
 CHARACTERISTIC IMPEDANCE -----115 OHMS NOM. (GS)
 93 OHMS NOM. (GSG)
 CAPACITANCE -----8.9 pF/FT. NOM. (GS)
 18.0 pF/FT. NOM. (GSG)
 PROPAGATION DELAY -----1.4 ns/FT. NOM.
 INSULATION RESISTANCE -----10M OHMS (10FT. SAMPLE)
 DIELECTRIC WITHSTAND VOLTAGE -----2000 VRMS/MINUTE

GENERAL

NON-OPERATING TEMPERATURE ----- -20°C TO 105°C
 FAULTS AND/OR SPLICES -----1/REEL MAX. 100 $^{+3}$ ₀ FT. (30.48 $^{+0.914}$ ₀ M.)/REEL
 20FT. (6.096M.) MIN. LENGTH

SEE CHANGE DETAIL EC NO: THL2011-0054 DRWN: CPANSAKHOM 2010/10/05 CHKD: PMEECHAI 2011/01/25 APPR: SVIRAT JAPOL 2011/03/31	QUALITY SYMBOLS  =  =	GENERAL TOLERANCES (UNLESS SPECIFIED)		DIMENSION STYLE MM/IN	SCALE NTS	DESIGN UNITS INCH	 THIRD ANGLE PROJECTION		
								TITLE FCB ROUND CONDUCTOR 1.27MM(.050)CENTER PVC. 26AWG STRANDED TINNED	
		4 PLACES	\pm ---	\pm ---	DRAWN BY CPANSAKHOM	DATE 2006/07/18			 MOLEX INCORPORATED
		3 PLACES	\pm ---	\pm ---	CHECKED BY PMEECHAI	DATE 2006/07/18			
		2 PLACES	\pm ---	\pm ---	APPROVED BY SVIRAT JAPOL	DATE 2006/07/18			
1 PLACE	\pm ---	\pm ---	MATERIAL NO.						
		ANGULAR \pm ----°	DRAFT WHERE APPLICABLE MUST REMAIN WITHIN DIMENSIONS		SEE CHART	DOCUMENT NO. SD-8863-001	SHEET NO. 2 OF 3		
B1	REV			SIZE A 4	THIS DRAWING CONTAINS INFORMATION THAT IS PROPRIETARY TO MOLEX INCORPORATED AND SHOULD NOT BE USED WITHOUT WRITTEN PERMISSION				

6

5

4

3

2

1

ENGINEERING NO.
 8863-XX-XXXX
 A B C D

A : CABLE 1.27mm. (.050") CENTERS 26AWG STRANDED TINNED
 B : CONDUCTOR SIZE (AVAILABILITY 3 THROUGH 50)
 C : CABLE LENGTH 100FT. (30.48M.)
 D : A = INCHES
 B = FEET

DIMENSIONS MM. (INCHES)				SHIPPED ON 100FT. REELS	
ENG. NO.	NO.OF COND.	DIMENSION S	DIM. W (REF)	ENGINEERING NO.	ORDER NO.
8863-3	3	2.54±0.18 (1.00±.007)	3.81 (1.50)	8863-03-100B	82-26-6803
8863-4	4	3.81±0.18 (1.50±.007)	5.08 (2.00)	▲-04-▲	▲
8863-5	5	5.08±0.18 (2.00±.007)	6.35 (2.50)	-05-	05
8863-6	6	6.35±0.18 (2.50±.007)	7.62 (3.00)	-06-	06
8863-7	7	7.62±0.18 (3.00±.007)	8.89 (3.50)	-07-	07
8863-8	8	8.89±0.18 (3.50±.007)	10.16 (4.00)	-08-	08
8863-9	9	10.16±0.18 (4.00±.007)	11.43 (4.50)	-09-	09
8863-10	10	11.43±0.18 (4.50±.007)	12.70 (5.00)	-10-	10
8863-11	11	12.70±0.18 (5.00±.007)	13.97 (5.50)	-11-	11
8863-12	12	13.97±0.18 (5.50±.007)	15.24 (6.00)	-12-	12
8863-13	13	15.24±0.18 (6.00±.007)	16.51 (6.50)	-13-	13
8863-14	14	16.51±0.18 (6.50±.007)	17.78 (7.00)	-14-	14
8863-15	15	17.78±0.18 (7.00±.007)	19.05 (7.50)	-15-	15
8863-16	16	19.05±0.23 (7.50±.009)	20.32 (8.00)	-16-	16
8863-17	17	20.32±0.23 (8.00±.009)	21.59 (8.50)	-17-	17
8863-18	18	21.59±0.23 (8.50±.009)	22.86 (9.00)	-18-	18
8863-19	19	22.86±0.23 (9.00±.009)	24.13 (9.50)	-19-	19
8863-20	20	24.13±0.23 (9.50±.009)	25.40 (1.000)	-20-	20
8863-21	21	25.40±0.23 (1.000±.009)	26.67 (1.050)	-21-	21
8863-22	22	26.67±0.23 (1.050±.009)	27.94 (1.100)	-22-	22
8863-23	23	27.94±0.23 (1.100±.009)	29.21 (1.150)	-23-	23
8863-24	24	29.21±0.23 (1.150±.009)	30.48 (1.200)	-24-	24
8863-25	25	30.48±0.23 (1.200±.009)	31.75 (1.250)	-25-	25
8863-26	26	31.75±0.23 (1.250±.009)	33.02 (1.300)	-26-	26
8863-27	27	33.02±0.23 (1.300±.009)	34.29 (1.350)	-27-	27
8863-28	28	34.29±0.23 (1.350±.009)	35.56 (1.400)	-28-	28
8863-29	29	35.56±0.23 (1.400±.009)	36.83 (1.450)	-29-	29
8863-30	30	36.83±0.23 (1.450±.009)	38.10 (1.500)	-30-	30
8863-31	31	38.10±0.23 (1.500±.009)	39.37 (1.550)	-31-	31
8863-32	32	39.37±0.23 (1.550±.009)	40.64 (1.600)	-32-	32
8863-33	33	40.64±0.23 (1.600±.009)	41.91 (1.650)	-33-	33
8863-34	34	41.91±0.23 (1.650±.009)	43.18 (1.700)	-34-	34
8863-35	35	43.18±0.23 (1.700±.009)	44.45 (1.750)	-35-	35
8863-36	36	44.45±0.23 (1.750±.009)	45.72 (1.800)	-36-	36
8863-37	37	45.72±0.28 (1.800±.011)	46.99 (1.850)	-37-	37
8863-38	38	46.99±0.28 (1.850±.011)	48.26 (1.900)	-38-	38
8863-39	39	48.26±0.28 (1.900±.011)	49.53 (1.950)	-39-	39
8863-40	40	49.53±0.28 (1.950±.011)	50.80 (2.000)	-40-	40
8863-41	41	50.80±0.28 (2.000±.011)	52.07 (2.050)	-41-	41
8863-42	42	52.07±0.28 (2.050±.011)	53.34 (2.100)	-42-	42
8863-43	43	53.34±0.28 (2.100±.011)	54.61 (2.150)	-43-	43
8863-44	44	54.61±0.28 (2.150±.011)	55.88 (2.200)	-44-	44
8863-45	45	55.88±0.28 (2.200±.011)	57.15 (2.250)	-45-	45
8863-46	46	57.15±0.28 (2.250±.011)	58.42 (2.300)	-46-	46
8863-47	47	58.42±0.28 (2.300±.011)	59.69 (2.350)	-47-	47
8863-48	48	59.69±0.28 (2.350±.011)	60.96 (2.400)	-48-	48
8863-49	49	60.96±0.28 (2.400±.011)	62.23 (2.450)	▲-49-▲	▲ 49
8863-50	50	62.23±0.28 (2.450±.011)	63.50 (2.500)	8863-50-100B	82-26-6850

QUALITY SYMBOLS 	GENERAL TOLERANCES (UNLESS SPECIFIED) mm INCH 4 PLACES ± --- ± --- 3 PLACES ± --- ± --- 2 PLACES ± --- ± --- 1 PLACE ± --- ± --- ANGULAR ± ---°	DIMENSION STYLE MM/IN DRAWN BY CPANSAKHOM DATE 2006/07/18 CHECKED BY PMEECHAI DATE 2006/07/18 APPROVED BY SVIRAT JAPOL DATE 2006/07/18 MATERIAL NO. SEE CHART	SCALE NTS TITLE FCB ROUND CONDUCTOR 1.27MM(.050)CENTER PVC. 26AWG STRANDED TINNED MOLEX INCORPORATED DOCUMENT NO. SD-8863-001	DESIGN UNITS INCH THIRD ANGLE PROJECTION 	SHEET NO. 3 OF 3
	DRAFT WHERE APPLICABLE MUST REMAIN WITHIN DIMENSIONS	THIS DRAWING CONTAINS INFORMATION THAT IS PROPRIETARY TO MOLEX INCORPORATED AND SHOULD NOT BE USED WITHOUT WRITTEN PERMISSION			

REVISIONS
 1: 6/30/11 02 TAPOL SVIRAT JAPOL
 2: 10/11/10 2 IHAKHOM CPANSAKHOM
 3: 10/10/10 2 PMEECHAI CPANSAKHOM
 4: 5/00/11 02 THL ON CE
 SEE CHANGE DETAIL. B1