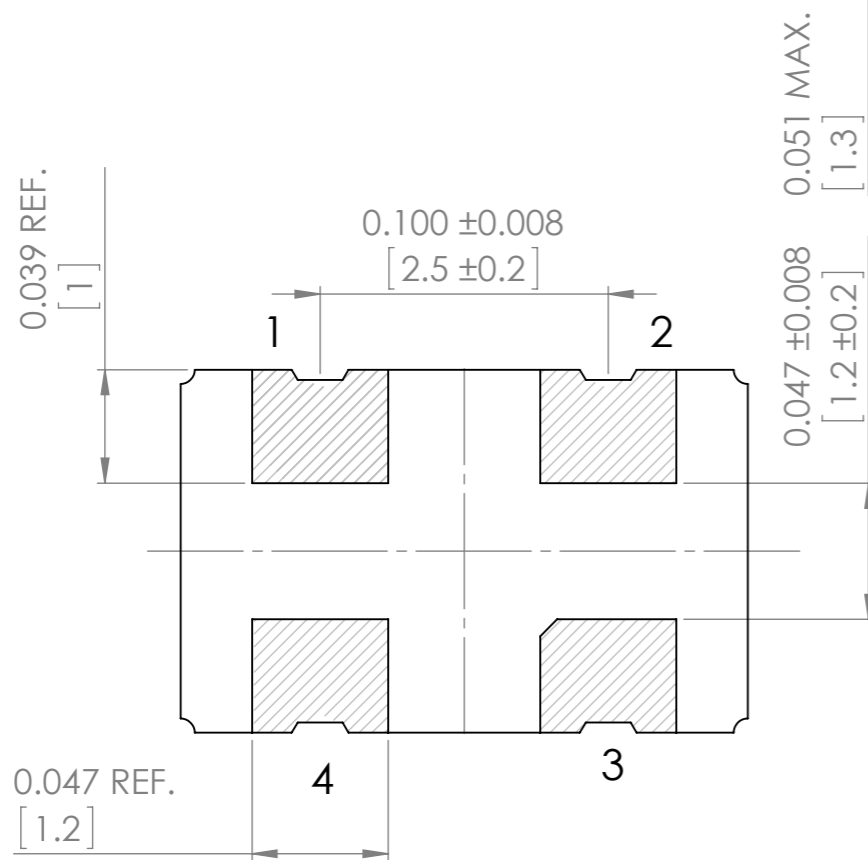
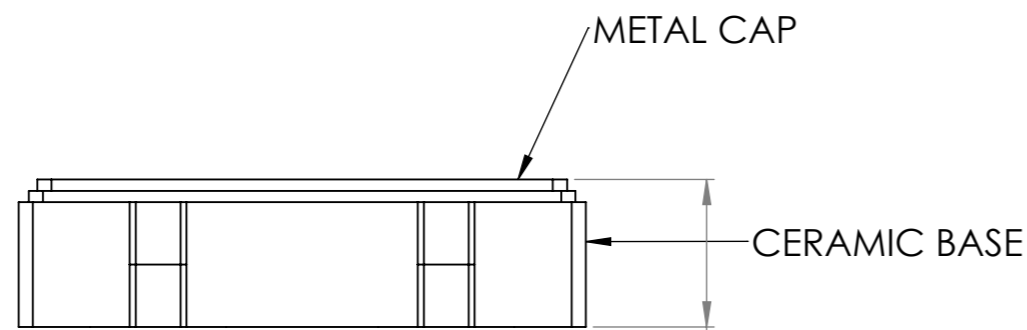
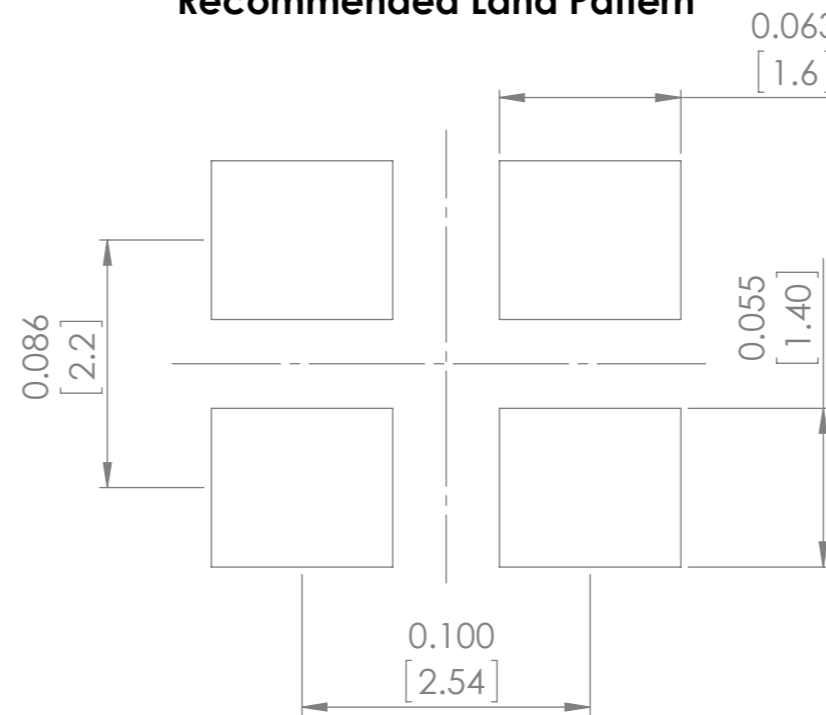
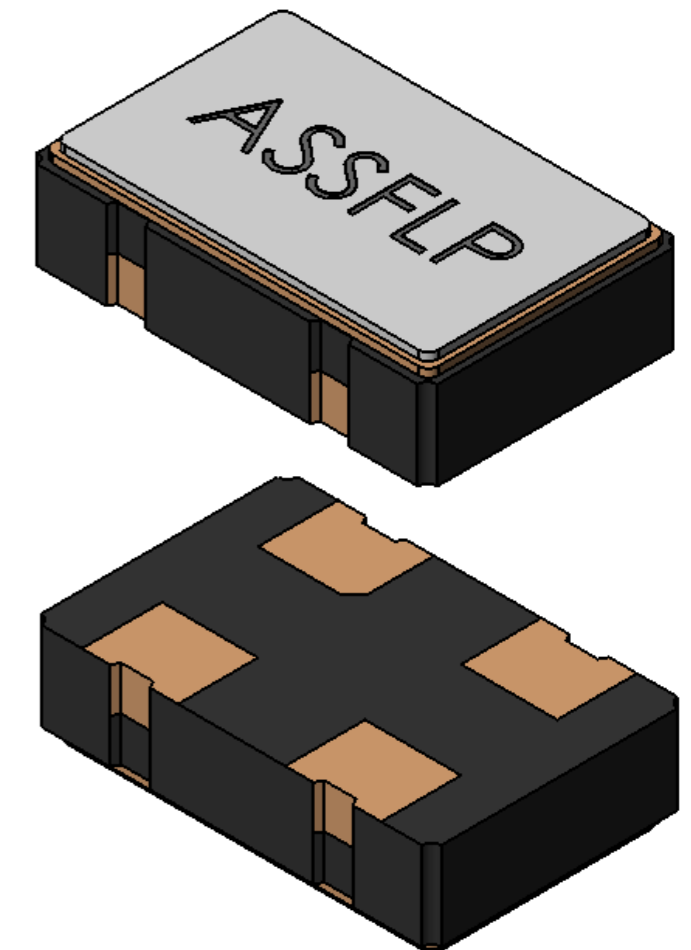


Recommended Land Pattern




PIN	FUNCTION
1	Tristate
2	GND/Case
3	Output
4	VDD



Note: Recommend using an approximately 0.01 uF bypass capacitor between PIN 2 and 4.

Bottom view

UNLESS OTHERWISE SPECIFIED: DIMENSIONS ARE IN INCH(MM) SURFACE FINISH: TOLERANCES: LINEAR: ANGULAR:				FINISH:		DEBUR AND BREAK SHARP EDGES		DO NOT SCALE DRAWING		REVISION	
DRAWN SAAZVAT				SIGNATURE		DATE		 30332 Esperanza, Rancho Santa margarita, California 92688 TITLE: OSCILLATOR DWG NO. ASSFLP SCALE: 15:1		-	
CHK'D XXXXXX											
APPV'D											
MFG											
Q.A											
						MATERIAL:		A3			
						WEIGHT:		SHEET 1 OF 1			