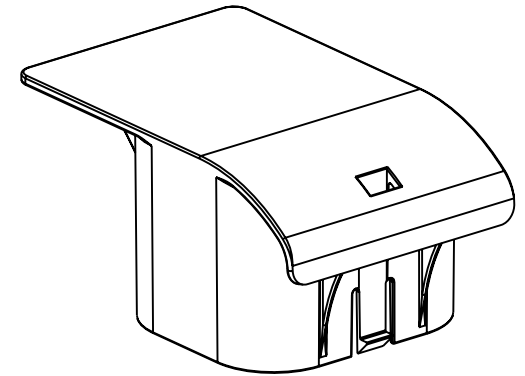
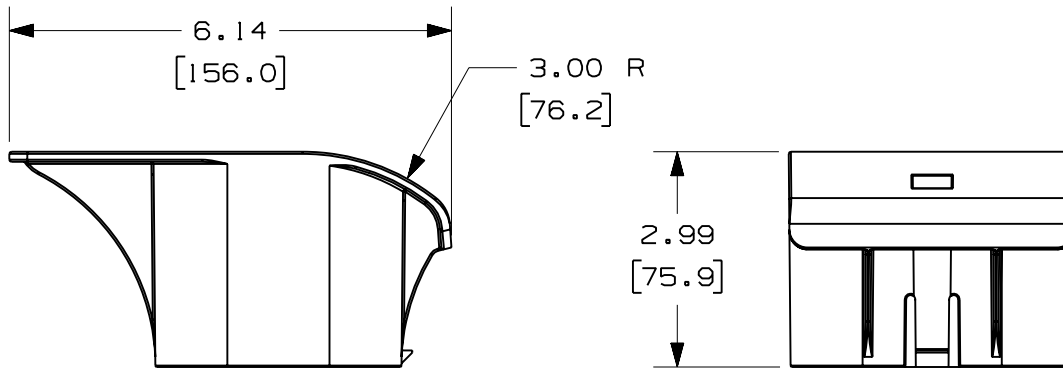
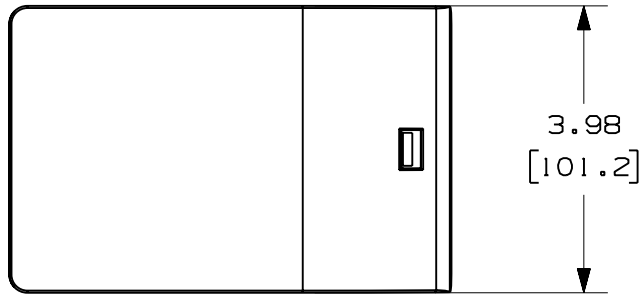


THIS COPY IS PROVIDED ON A RESTRICTED BASIS AND IS NOT TO BE USED IN ANY WAY DETRIMENTAL TO THE INTERESTS OF PANDUIT CORP.

PANDUIT PART NUMBER	WEIGHT
CRBRDGBL	0.27 LB/EA (124g/EA)

NOTES:

1. SEE CURRENT CATALOG FOR ADDITIONAL PART SUFFIXES TO INDICATE COLOR AND/OR PACKAGE QUANTITY.
2. DIMENSIONS IN PARENTHESES ARE IN METRIC.



ENG. REF.: D3950300_DS/00 CRBRDGBL

CAD FILENAME/LAYERS CRBRDGBL .pdf

PANDUIT CORP TINLEY PARK, ILLINOIS
**NET-ACCESS OVERHEAD CABLE
ROUTING BRIDGE INSERT (CRBRDGBL)**
CUSTOMER DRAWING

UNLESS OTHERWISE SPECIFIED,
DIMENSIONAL TOLERANCES ARE:
(.X) ± (.XXX) ±
(.XX) ± .03 (.8) ANGLES ±

UNLESS OTHERWISE SPECIFIED,
ALL DIMENSIONS ARE GIVEN IN
INCHES, THIRD ANGLE PROJECTION.

DRAWN BY MSO	MAT'L: ABS	SCALE NONE
DATE 1-10-08		DRAWING NO. 39503-18
CHK'D SL		DWG A SIZE

REV	DATE	BY	CHK	DESCRIPTION	ECN	R	CUST	SUP	GMBH
R	1-10-08	MSO	SL	RELEASED TO PRODUCTION	39503-18	RN	RN		