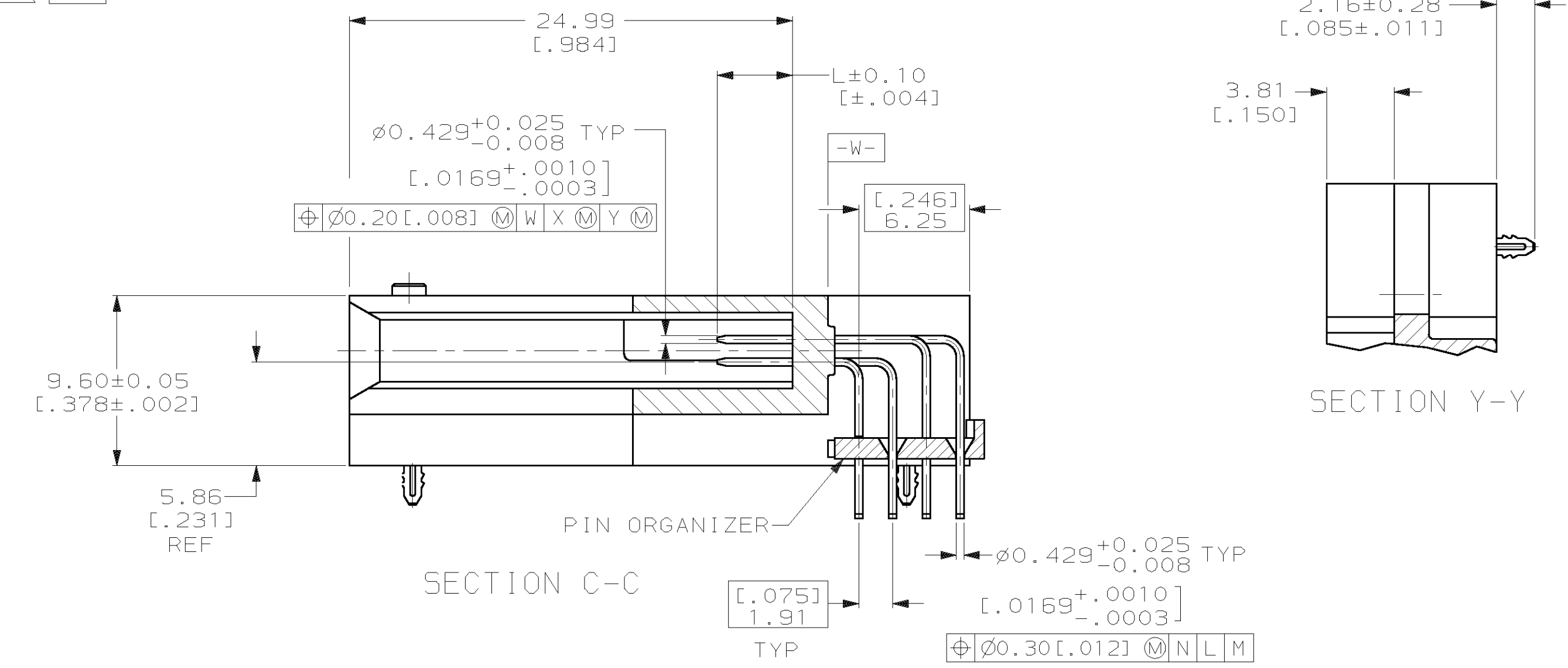
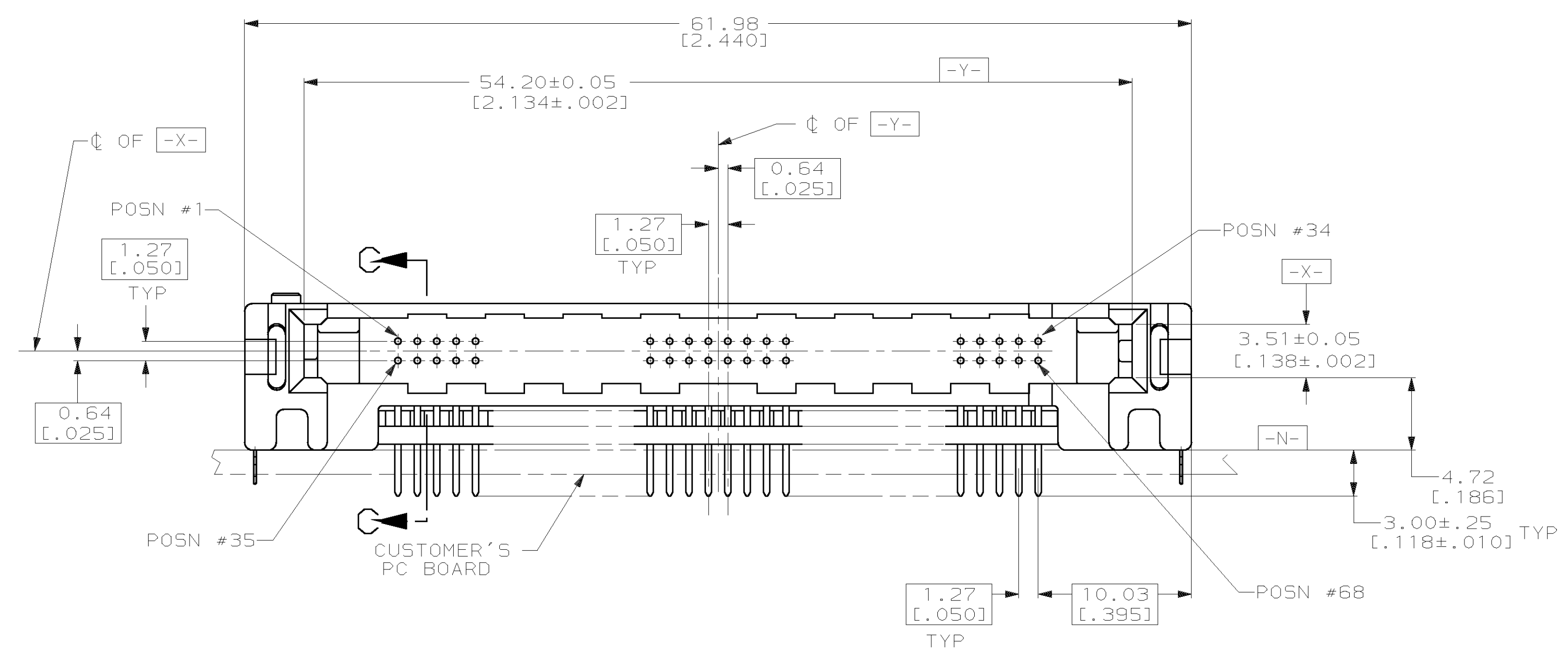
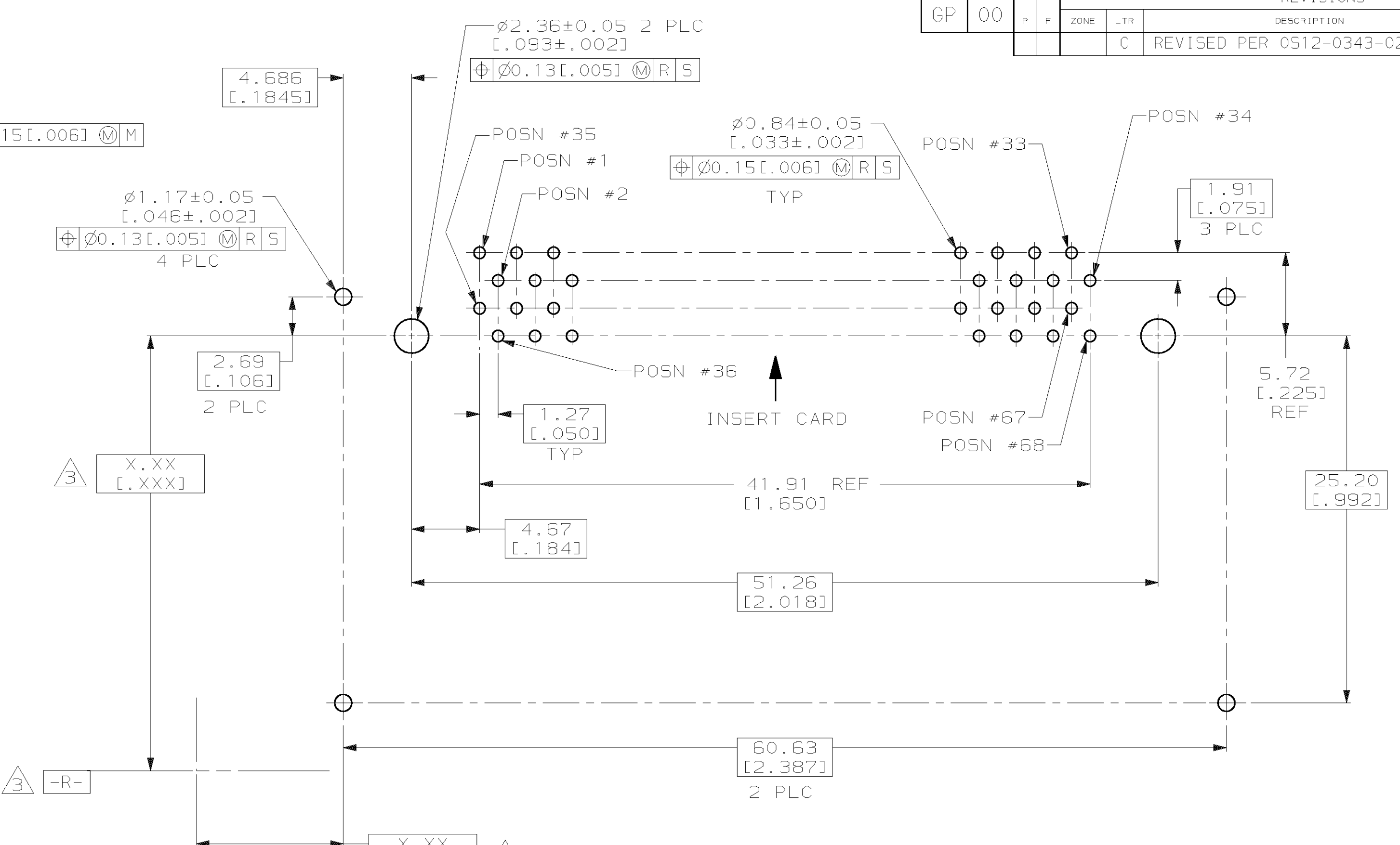
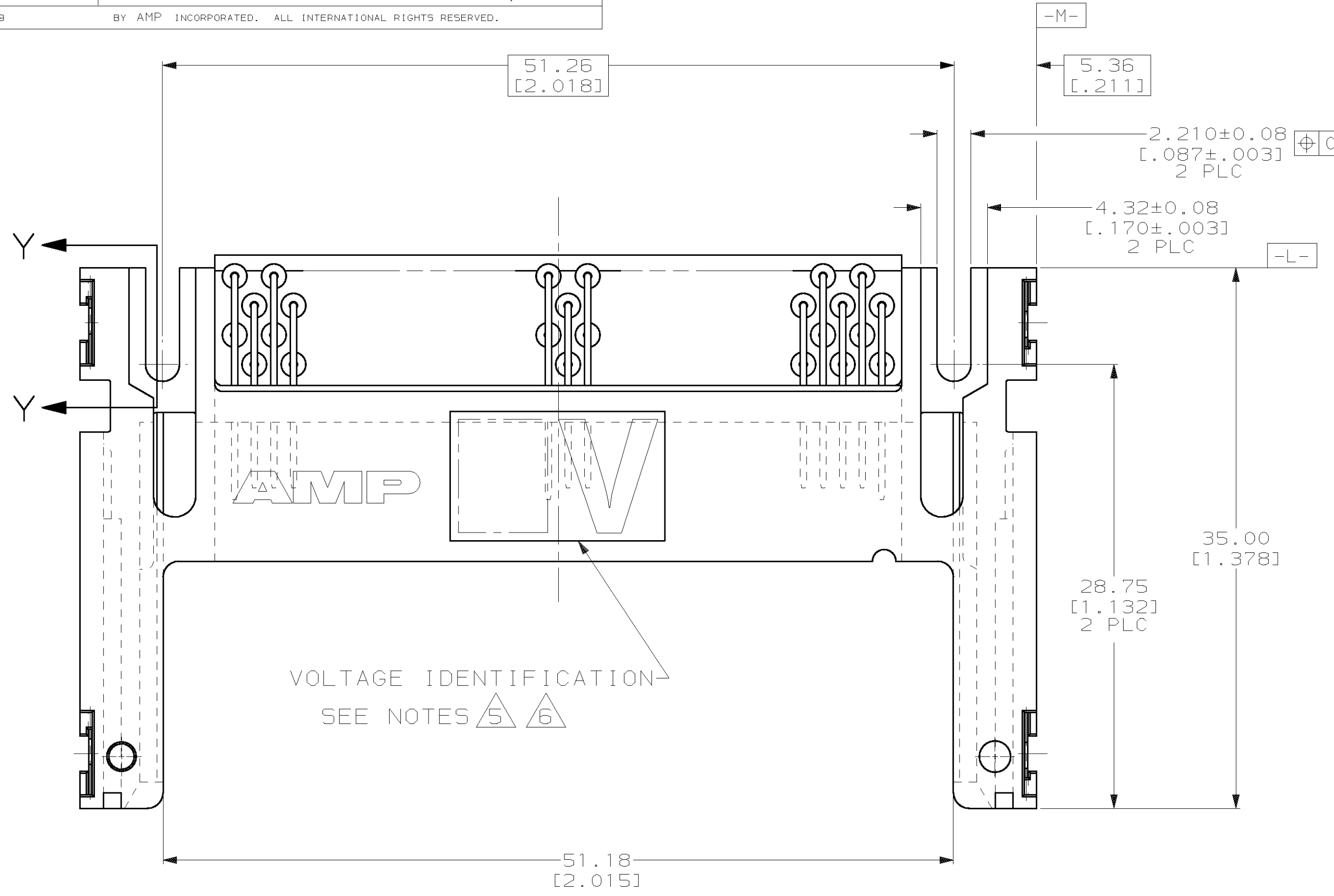


LOC		DIST		P		F		ZONE		LTR		REVISIONS			
GP	00											DESCRIPTION	DATE	APPD	
												C	REVISED PER 0512-0343-02	11SEP02	RHW



- 1 0.00076[.000030] MINIMUM GOLD IN CONTACT AREA, 0.00381[.000150] MINIMUM TIN-LEAD ON SOLDER TAILS, ALL OVER 0.00127[.000050] MINIMUM NICKEL
- 2 CUSTOMER TO PROVIDE CARD GUIDANCE SYSTEM
- 3 DATUMS AND BASIC DIMENSIONS ESTABLISHED BY CUSTOMER
- 4 CONNECTOR REQUIRES USE OF 2 - SIZE 2M SCREWS FOR FASTENING TO PRINTED CIRCUIT BOARD
- 5 ASSEMBLY KEYED FOR 5 VOLT CARDS
- 6 ASSEMBLY KEYED FOR LOW VOLT CARDS (3.3V)

VOLTAGE KEYING & IDENTIFICATION	1, 17, 34	ALL OTHER PINS	36, 67	535660-2
	35, 51, 68	ALL OTHER PINS	36, 67	535660-1
"L" (PIN LENGTH) AND LOCATION	5.0	4.25	3.5	PART NO
	[.197]	[.167]	[.138]	

DO NOT SCALE PRINT. UNLESS SPECIFIED DIMENSIONS IN mm [INCHES] TOLERANCES ON:	DR 3/8/93 J MOSER	Tyco Electronics Harrisburg, PA 17105-3608
2 PLC DEC ± 0.13 [.005]	CHK 3/8/93 B ELICKER	
3 PLC DEC ± -	APPD 3/8/93 B ELICKER	
ANGLES ± -	APPD 3/8/93 B FLINCHBAUGH	
MATERIAL HOUSING & ORGANIZER: LCP, COLOR: BLACK	PRODUCT SPEC -	NAME PIN HEADER ASSY, 68 POSN, RAISED HT, TOP BD MTG, THRU-HOLE, WITH HOLD-DOWNS, AMP MEMORY CARD
PIN: BRASS HOLD-DOWN: PHOPHOR BRONZE	APPLICATION SPEC -	SIZE D
FINISH	SCALE 4:1	CAGE CODE 00779
PIN: 1	WEIGHT 8.5 GRAMS	DRAWING NO C-535660
HOLD-DOWN: TIN PLATED		SHEET 1 OF 1

THIS DRAWING IS A CONTROLLED DOCUMENT FOR AMP INCORPORATED. IT IS SUBJECT TO CHANGE AND THE CONTROLLING ENGINEERING ORGANIZATION SHOULD BE CONTACTED FOR THE LATEST REVISION.