

### SUMMARY DATASHEET

#### Description

Based on the ARM926EJ-S™ processor, the Atmel® SAM9N12/CN11/CN12 devices offer the frequently-requested combination of user interface functionality and high data rate connectivity, with LCD Controller, resistive touch-screen, multiple UARTs, SPI, I2C, full-speed USB Host and Device and SDIO.

The SAM9N12/CN11/CN12 support the latest generation of LPDDR/DDR2 and NAND Flash memory interfaces for program and data storage. An internal 133 MHz multi-layer bus architecture associated with eight DMA channels and distributed memory – including a 32-Kbyte SRAM – sustains the high bandwidth required by the processor and the high-speed peripherals.

The SAM9CN12/CN11 offers on-chip hardware accelerators with DMA support that enable high-speed data encryption and authentication of transferred data or applications. Supported standards are up to 256-bit AES, and FIPS Publication 180-2 compliant SHA1 and SHA256. A True Random Number Generator is embedded for key generation and exchange protocols. The devices also feature fuse bits for crypto key (SAM9CN12), user configuration (SAM9N12 and SAM9CN11) and device configuration (all). The SAM9CN12 includes a secured Boot ROM; the SAM9N12 and SAM9CN11 include a standard Boot ROM.

The I/Os support 1.8V or 3.3V operation and are independently configurable for the memory interface and peripheral I/Os. This feature eliminates the need for any external level shifters, while 0.8 ball pitch packages lower PCB cost and complexity.

The SAM9N12/CN11/CN12 power management controllers feature efficient clock gating and a battery backup section that minimizes power consumption in active and standby modes. There are several devices. The table that follows presents the embedded features of each device.

Device	SAM9N12	SAM9CN11	SAM9CN12
Standard Boot with BSC	X	X	–
Secured Boot	–	–	X
TRNG	X	X	X
AES	–	X	X
SHA	–	X	X

This is a summary document.  
The complete document is  
available on the Atmel website  
at [www.atmel.com](http://www.atmel.com).

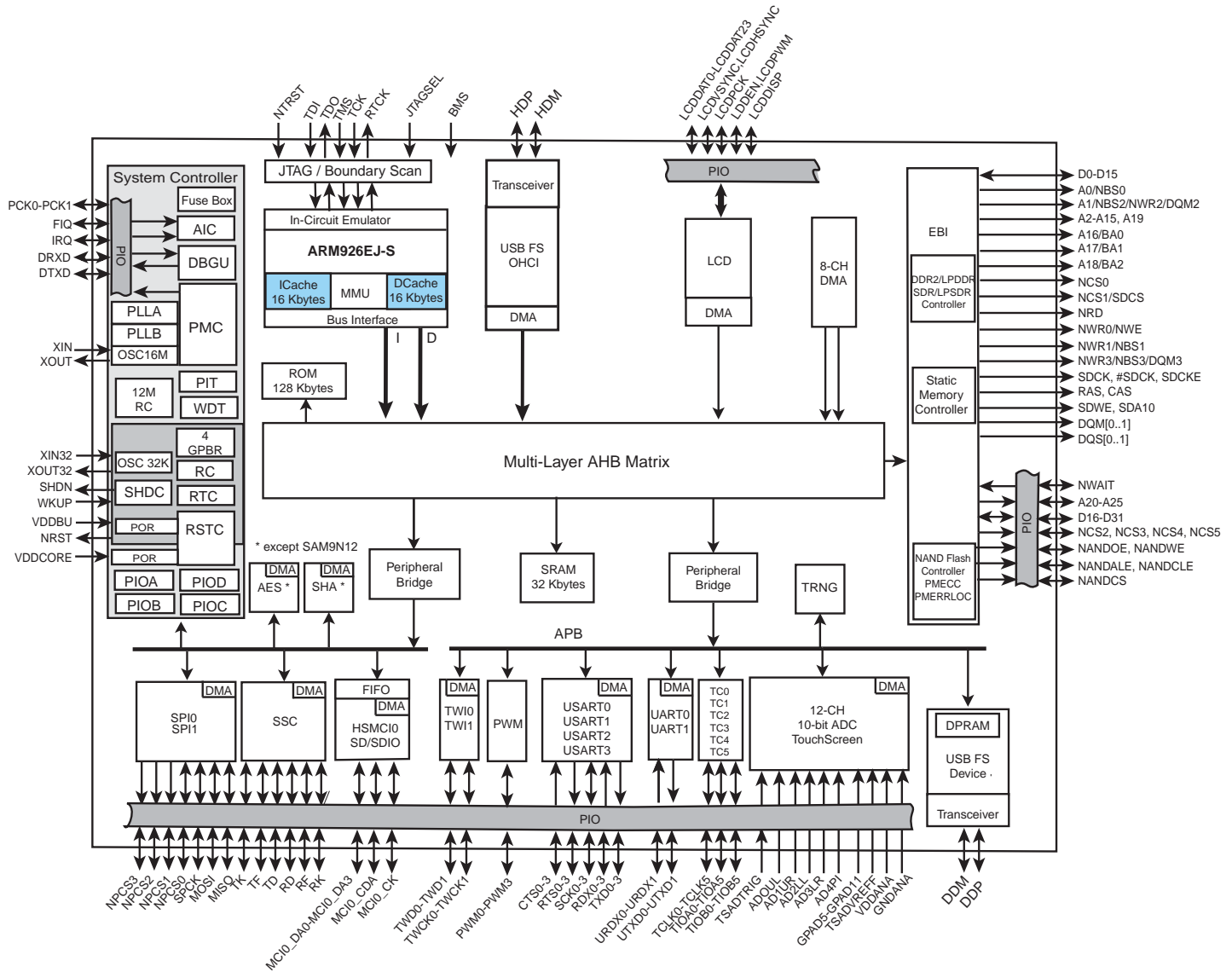
# 1. Features

- Core
  - ARM926EJ-S™ ARM® Thumb® Processor running up to 400 MHz
  - 16 Kbytes Data Cache, 16 Kbytes Instruction Cache, Memory Management Unit
- Memories
  - One 128-Kbyte internal ROM embedding standard or secure bootstrap routine.
  - One 32-Kbyte internal SRAM, single-cycle access at system speed
  - 32-bit External Bus Interface supporting 8-bank DDR2/LPDDR, SDR/LPSDR, Static Memories
  - MLC/SLC NAND Controller, with up to 24-bit Programmable Multi-bit Error Correcting Code (PMECC)
  - System running up to 133 MHz
  - Power-on Reset, Reset Controller, Shut Down Controller, Periodic Interval Timer, Watchdog Timer and Real Time Clock
  - Boot Mode Select Option, Remap Command
  - Internal Low Power 32 kHz RC and Fast 12 MHz RC Oscillators
  - Selectable 32768 Hz Low-power Oscillator, 16 MHz Oscillator, one PLL for the system and one PLL optimized for USB
  - Six 32-bit-layer AHB Bus Matrix
  - Dual Peripheral Bridge with dedicated programmable clock
  - One dual port 8-channel DMA Controller
  - Advanced Interrupt Controller and Debug Unit
  - Two Programmable External Clock Signals
- Low-power Mode
  - Shut Down Controller with four 32-bit battery backup registers
  - Clock Generator and Power Management Controller
  - Very Slow Clock Operating Mode, Software Programmable Power Optimization Capabilities
- Peripherals
  - LCD Controller
  - USB Device Full Speed with dedicated On-Chip Transceiver
  - USB Host Full Speed with dedicated On-Chip Transceiver
  - One High speed SD card and SDIO Host Controller
  - Two Master/Slave Serial Peripheral Interfaces
  - Two Three-channel 32-bit Timer/Counters
  - One Synchronous Serial Controller
  - One Four-channel 16-bit PWM Controller
  - Two Two-wire Interfaces
  - Four USARTs, two UARTs, one DBGU
  - One 12-channel 10-bit Analog-to-Digital Converter with up to 5-wire resistive Touch screen support
- Safety
  - Crystal Failure Detection
  - Independent Watchdog
  - Power-on Reset Cells
  - Write Protection Registers
  - SHA (SHA1 and SHA256) Compliant with FIPS Publication 180-2, see the device configuration table in [“Description”](#)

- Cryptography
  - TRNG True Random Number Generator compliant with NIST Special Publication 800-22
  - AES 256-, 192-, 128-bit Key Algorithm compliant with FIPS Publication 197 (except for SAM9N12)
  - 256 Fuse bits for crypto key and 64 Fuse bits for device configuration, including JTAG disable and forced boot from the on-chip ROM
- I/O
  - Four 32-bit Parallel Input/Output Controllers
  - 105 Programmable I/O Lines Multiplexed with up to Three Peripheral I/Os
  - Input Change Interrupt Capability on Each I/O Line, optional Schmitt Trigger input
  - Individually Programmable Open-drain, Pull-up and Pull-down Resistor, Synchronous Output
- Packages
  - 217-ball BGA, pitch 0.8 mm
  - 247-ball BGA, pitch 0.5 mm

## 2. Block Diagram

Figure 2-1. SAM9N12/CN11/CN12 Block Diagram



### 3. Signal Description

Table 3-1 gives details on the signal names classified by peripheral.

Table 3-1. Signal Description List

Signal Name	Function	Type	Active Level
<b>Clocks, Oscillators and PLLs</b>			
XIN	Main Oscillator Input	Input	
XOUT	Main Oscillator Output	Output	
XIN32	Slow Clock Oscillator Input	Input	
XOUT32	Slow Clock Oscillator Output	Output	
PCK0 - PCK1	Programmable Clock Output	Output	
<b>Shutdown, Wakeup Logic</b>			
SHDN	Shut-Down Control	Output	
WKUP	Wake-Up Input	Input	
<b>ICE and JTAG</b>			
TCK	Test Clock	Input	
TDI	Test Data In	Input	
TDO	Test Data Out	Output	
TMS	Test Mode Select	Input	
JTAGSEL	JTAG Selection	Input	
RTCK	Return Test Clock	Output	
<b>Reset/Test</b>			
NRST	Microcontroller Reset	I/O	Low
NTRST	Test Reset Signal	Input	
BMS	Boot Mode Select	Input	
<b>Debug Unit - DBGU</b>			
DRXD	Debug Receive Data	Input	
DTXD	Debug Transmit Data	Output	
<b>Advanced Interrupt Controller - AIC</b>			
IRQ	External Interrupt Input	Input	
FIQ	Fast Interrupt Input	Input	
<b>PIO Controller - PIOA - PIOB - PIOC - PIOD</b>			
PA0 - PA31	Parallel IO Controller A	I/O	
PB0 - PB18	Parallel IO Controller B	I/O	
PC0 - PC31	Parallel IO Controller C	I/O	
PD0 - PD21	Parallel IO Controller D	I/O	

**Table 3-1. Signal Description List (Continued)**

Signal Name	Function	Type	Active Level
<b>External Bus Interface - EBI</b>			
D0 -D15	Data Bus	I/O	
D16 -D31	Data Bus	I/O	
A0 - A25	Address Bus	Output	
NWAIT	External Wait Signal	Input	Low
<b>Static Memory Controller - SMC</b>			
NCS0 - NCS5	Chip Select Lines	Output	Low
NWR0 - NWR3	Write Signal	Output	Low
NRD	Read Signal	Output	Low
NWE	Write Enable	Output	Low
NBS0 - NBS3	Byte Mask Signal	Output	Low
<b>NAND Flash Support</b>			
NFD0-NFD15	NAND Flash I/O	I/O	
NANDCS	NAND Flash Chip Select	Output	Low
NANDOE	NAND Flash Output Enable	Output	Low
NANDWE	NAND Flash Write Enable	Output	Low
<b>DDR2/SDRAM/LPDDR Controller</b>			
SDCK,#SDCK	DDR2/SDRAM differential clock	Output	
SDCKE	DDR2/SDRAM Clock Enable	Output	High
SDCS	DDR2/SDRAM Controller Chip Select	Output	Low
BA[0..2]	Bank Select	Output	Low
SDWE	DDR2/SDRAM Write Enable	Output	Low
RAS - CAS	Row and Column Signal	Output	Low
SDA10	SDRAM Address 10 Line	Output	
DQS[0..1]	Data Strobe	I/O	
DQM[0..3]	Write Data Mask	Output	
<b>High Speed Multimedia Card Interface - HSMCI</b>			
MCI_CK	Multimedia Card Clock	I/O	
MCI_CDA	Multimedia Card Slot Command	I/O	
MCI_DA0 - MCI_DA7	Multimedia Card Slot Data	I/O	
<b>Universal Synchronous Asynchronous Receiver Transmitter- USARTx</b>			
SCKx	USARTx Serial Clock	I/O	
TXDx	USARTx Transmit Data	Output	
RXDx	USARTx Receive Data	Input	
RTSx	USARTx Request To Send	Output	
CTSx	USARTx Clear To Send	Input	

**Table 3-1. Signal Description List (Continued)**

Signal Name	Function	Type	Active Level
<b>Universal Asynchronous Receiver Transmitter - UARTx</b>			
UTXDx	UARTx Transmit Data	Output	
URXDx	UARTx Receive Data	Input	
<b>Synchronous Serial Controller - SSC</b>			
TD	SSC Transmit Data	Output	
RD	SSC Receive Data	Input	
TK	SSC Transmit Clock	I/O	
RK	SSC Receive Clock	I/O	
TF	SSC Transmit Frame Sync	I/O	
RF	SSC Receive Frame Sync	I/O	
<b>Timer Counter - TCx x=0..5</b>			
TCLKx	TC Channel x External Clock Input	Input	
TIOAx	TC Channel x I/O Line A	I/O	
TIOBx	TC Channel x I/O Line B	I/O	
<b>Serial Peripheral Interface - SPIx</b>			
SPIx_MISO	Master In Slave Out	I/O	
SPIx_MOSI	Master Out Slave In	I/O	
SPIx_SPCK	SPI Serial Clock	I/O	
SPIx_NPCS0	SPI Peripheral Chip Select 0	I/O	Low
SPIx_NPCS1- SPIx_NPCS3	SPI Peripheral Chip Select	Output	Low
<b>Two-wire Interface - TWIx</b>			
TWDx	Two-wire Serial Data	I/O	
TWCKx	Two-wire Serial Clock	I/O	
<b>Pulse Width Modulation Controller- PWM</b>			
PWM0 - PWM3	Pulse Width Modulation Output	Output	
<b>USB Device Full Speed Port - UDP</b>			
DDP	USB Device Data +	Analog	
DDM	USB Device Data -	Analog	
<b>USB Host Full Speed Port - UHP</b>			
HDP	USB Host Data +	Analog	
HDM	USB Host Data -	Analog	
<b>LCD Controller - LCDC</b>			
LCDDAT 0-23	LCD Data Bus	Output	
LCDVSYNC	LCD Vertical Synchronization	Output	
LCDHSYNC	LCD Horizontal Synchronization	Output	
LCDPCK	LCD Pixel Clock	Output	

**Table 3-1. Signal Description List (Continued)**

Signal Name	Function	Type	Active Level
LCDDEN	LCD Data Enable	Output	
LCDPWM	LCD Contrast Control	Output	
LCDDISP	LCD Display Enable	Output	
<b>Analog-to-Digital Converter - ADC</b>			
AD0 <sub>XP_UL</sub>	Top/Upper Left Channel	Analog	
AD1 <sub>XM_UR</sub>	Bottom/Upper Right Channel	Analog	
AD2 <sub>YP_LL</sub>	Right/Lower Left Channel	Analog	
AD3 <sub>YM_SENSE</sub>	Left/Sense Channel	Analog	
AD4 <sub>LR</sub>	Lower Right Channel	Analog	
AD5-AD11	7 Analog Inputs	Analog	
ADTRG	ADC Trigger	Input	
ADVREF	ADC Reference	Analog	

When “Reset State” is stated, the configuration is defined by the “Reset State” column of the Pin Description table.



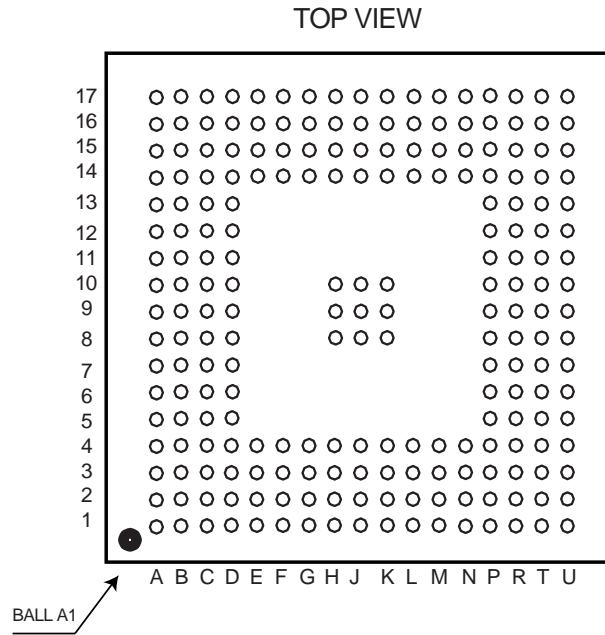
## 4. Package and Pinout

The SAM9CN12 is available in 217-ball and 247-ball BGA packages.

### 4.1 Mechanical Overview of the 217-ball BGA Package

Figure 4-1 shows the orientation of the 217-ball BGA Package

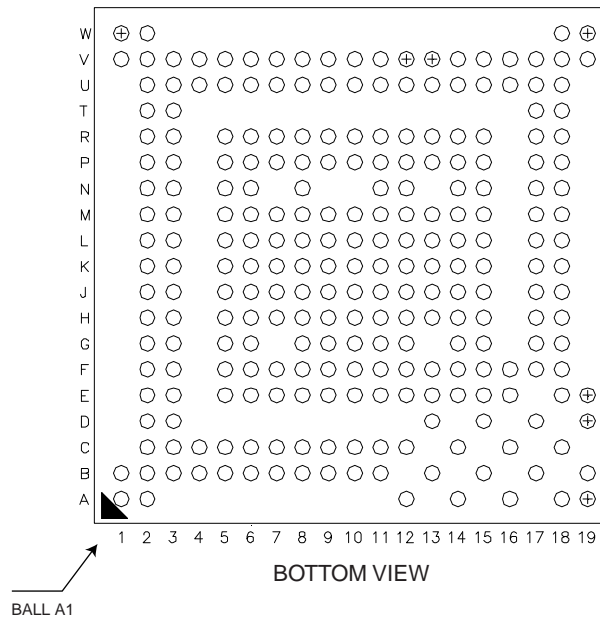
Figure 4-1. Orientation of the 217-ball BGA Package



## 4.2 Mechanical Overview of the 247-ball BGA Package

Figure 4-2 shows the orientation of the 247-ball BGA Package

Figure 4-2. Orientation of the 247-ball BGA Package



## 4.3 217-ball BGA Package Pinout

Table 4-1. BGA217 Pin Description

Ball	Power Rail	I/O Type	Primary		Alternate		PIO Peripheral A		PIO Peripheral B		PIO Peripheral C		Reset State
			Signal	Dir	Signal	Dir	Signal	Dir	Signal	Dir	Signal	Dir	Signal, Dir, PU, PD, ST
T3	VDDIOP0	GPIO	PA0	I/O			TXD0	O	SPI1_NPCS1	O			PIO, I, PU, ST
U2	VDDIOP0	GPIO	PA1	I/O			RXD0	I	SPI0_NPCS2	O			PIO, I, PU, ST
U3	VDDIOP0	GPIO	PA2	I/O			RTS0	O					PIO, I, PU, ST
P4	VDDIOP0	GPIO	PA3	I/O			CTS0	I					PIO, I, PU, ST
T4	VDDIOP0	GPIO	PA4	I/O			SCK0	I/O					PIO, I, PU, ST
U4	VDDIOP0	GPIO	PA5	I/O			TXD1	O					PIO, I, PU, ST
P5	VDDIOP0	GPIO	PA6	I/O			RXD1	I					PIO, I, PU, ST
R4	VDDIOP0	GPIO	PA7	I/O			TXD2	O	SPI0_NPCS1	O			PIO, I, PU, ST
U6	VDDIOP0	GPIO	PA8	I/O			RXD2	I	SPI1_NPCS0	I/O			PIO, I, PU, ST
R5	VDDIOP0	GPIO	PA9	I/O			DRXD	I					PIO, I, PU, ST
R6	VDDIOP0	GPIO	PA10	I/O			DTXD	O					PIO, I, PU, ST
T5	VDDIOP0	GPIO	PA11	I/O			SPI0_MISO	I/O	MCDA4	I/O			PIO, I, PU, ST
T6	VDDIOP0	GPIO	PA12	I/O			SPI0_MOSI	I/O	MCDA5	I/O			PIO, I, PU, ST
U5	VDDIOP0	GPIO_CLK	PA13	I/O			SPI0_SPCK	I/O	MCDA6	I/O			PIO, I, PU, ST
U7	VDDIOP0	GPIO	PA14	I/O			SPI0_NPCS0	I/O	MCDA7	I/O			PIO, I, PU, ST
T7	VDDIOP0	GPIO	PA15	I/O			MCDA0	I/O					PIO, I, PU, ST
R7	VDDIOP0	GPIO	PA16	I/O			MCCDA	I/O					PIO, I, PU, ST
U8	VDDIOP0	GPIO_CLK	PA17	I/O			MCCK	I/O					PIO, I, PU, ST
P8	VDDIOP0	GPIO	PA18	I/O			MCDA1	I/O					PIO, I, PU, ST
T8	VDDIOP0	GPIO	PA19	I/O			MCDA2	I/O					PIO, I, PU, ST
R8	VDDIOP0	GPIO	PA20	I/O			MCDA3	I/O					PIO, I, PU, ST
U9	VDDIOP0	GPIO	PA21	I/O			TIOA0	I/O	SPI1_MISO	I/O			PIO, I, PU, ST
U10	VDDIOP0	GPIO	PA22	I/O			TIOA1	I/O	SPI1_MOSI	I/O			PIO, I, PU, ST
T9	VDDIOP0	GPIO_CLK	PA23	I/O			TIOA2	I/O	SPI1_SPCK	I/O			PIO, I, PU, ST
U11	VDDIOP0	GPIO	PA24	I/O			TCLK0	I	TK	I/O			PIO, I, PU, ST
T10	VDDIOP0	GPIO	PA25	I/O			TCLK1	I	TF	I/O			PIO, I, PU, ST
R9	VDDIOP0	GPIO	PA26	I/O			TCLK2	I	TD	O			PIO, I, PU, ST
U12	VDDIOP0	GPIO	PA27	I/O			TIOB0	I/O	RD	I			PIO, I, PU, ST
T11	VDDIOP0	GPIO	PA28	I/O			TIOB1	I/O	RK	I/O			PIO, I, PU, ST
U13	VDDIOP0	GPIO	PA29	I/O			TIOB2	I/O	RF	I/O			PIO, I, PU, ST
R10	VDDIOP0	GPIO	PA30	I/O			TWD0	I/O	SPI1_NPCS3	O			PIO, I, PU, ST
T12	VDDIOP0	GPIO	PA31	I/O			TWCK0	O	SPI1_NPCS2	O			PIO, I, PU, ST
E4	VDDANA	GPIO	PB0	I/O					RTS2	O			PIO, I, PU, ST
F3	VDDANA	GPIO	PB1	I/O					CTS2	I			PIO, I, PU, ST
F4	VDDANA	GPIO	PB2	I/O					SCK2	I/O			PIO, I, PU, ST
F2	VDDANA	GPIO	PB3	I/O					SPI0_NPCS3	O			PIO, I, PU, ST
G4	VDDANA	GPIO_CLK	PB4	I/O									PIO, I, PU, ST
G3	VDDANA	GPIO	PB5	I/O									PIO, I, PU, ST

**Table 4-1. BGA217 Pin Description (Continued)**

Ball	Power Rail	I/O Type	Primary		Alternate		PIO Peripheral A		PIO Peripheral B		PIO Peripheral C		Reset State
			Signal	Dir	Signal	Dir	Signal	Dir	Signal	Dir	Signal	Dir	Signal, Dir, PU, PD, ST
D2	VDDANA	GPIO_ANA	PB6	I/O	AD7	I							PIO, I, PU, ST
E2	VDDANA	GPIO_ANA	PB7	I/O	AD8	I							PIO, I, PU, ST
D1	VDDANA	GPIO_ANA	PB8	I/O	AD9	I							PIO, I, PU, ST
F1	VDDANA	GPIO_ANA	PB9	I/O	AD10	I			PCK1	O			PIO, I, PU, ST
E1	VDDANA	GPIO_ANA	PB10	I/O	AD11	I			PCK0	O			PIO, I, PU, ST
A1	VDDANA	GPIO_ANA	PB11	I/O	AD0	I			PWM0	O			PIO, I, PU, ST
C3	VDDANA	GPIO_ANA	PB12	I/O	AD1	I			PWM1	O			PIO, I, PU, ST
B1	VDDANA	GPIO_ANA	PB13	I/O	AD2	I			PWM2	O			PIO, I, PU, ST
C2	VDDANA	GPIO_ANA	PB14	I/O	AD3	I			PWM3	O			PIO, I, PU, ST
D3	VDDANA	GPIO_ANA	PB15	I/O	AD4	I							PIO, I, PU, ST
C1	VDDANA	GPIO_ANA	PB16	I/O	AD5	I					I		PIO, I, PU, ST
E3	VDDANA	GPIO_ANA	PB17	I/O	AD6	I					I		PIO, I, PU, ST
D4	VDDANA	GPIO	PB18	I/O			IRQ	I	ADTRG	I			PIO, I, PU, ST
G2	VDDIOP1	GPIO	PC0	I/O			LCDDAT0	O			TWD1	I/O	PIO, I, PU, ST
G1	VDDIOP1	GPIO	PC1	I/O			LCDDAT1	O			TWCK1	O	PIO, I, PU, ST
H4	VDDIOP1	GPIO	PC2	I/O			LCDDAT2	O			TIOA3	I/O	PIO, I, PU, ST
J1	VDDIOP1	GPIO	PC3	I/O			LCDDAT3	O			TIOB3	I/O	PIO, I, PU, ST
H3	VDDIOP1	GPIO	PC4	I/O			LCDDAT4	O			TCLK3	I	PIO, I, PU, ST
J3	VDDIOP1	GPIO	PC5	I/O			LCDDAT5	O			TIOA4	I/O	PIO, I, PU, ST
H2	VDDIOP1	GPIO	PC6	I/O			LCDDAT6	O			TIOB4	I/O	PIO, I, PU, ST
H1	VDDIOP1	GPIO	PC7	I/O			LCDDAT7	O			TCLK4	I	PIO, I, PU, ST
K2	VDDIOP1	GPIO	PC8	I/O			LCDDAT8	O			UTXD0	O	PIO, I, PU, ST
J2	VDDIOP1	GPIO	PC9	I/O			LCDDAT9	O			URXD0	I	PIO, I, PU, ST
L1	VDDIOP1	GPIO	PC10	I/O			LCDDAT10	O			PWM0	O	PIO, I, PU, ST
K1	VDDIOP1	GPIO	PC11	I/O			LCDDAT11	O			PWM1	O	PIO, I, PU, ST
L2	VDDIOP1	GPIO	PC12	I/O			LCDDAT12	O			TIOA5	I/O	PIO, I, PU, ST
K3	VDDIOP1	GPIO	PC13	I/O			LCDDAT13	O			TIOB5	I/O	PIO, I, PU, ST
M1	VDDIOP1	GPIO	PC14	I/O			LCDDAT14	O			TCLK5	I	PIO, I, PU, ST
M2	VDDIOP1	GPIO_CLK	PC15	I/O			LCDDAT15	O			PCK0	O	PIO, I, PU, ST
K4	VDDIOP1	GPIO	PC16	I/O			LCDDAT16	O			UTXD1	O	PIO, I, PU, ST
M3	VDDIOP1	GPIO	PC17	I/O			LCDDAT17	O			URXD1	I	PIO, I, PU, ST
N1	VDDIOP1	GPIO	PC18	I/O			LCDDAT18	O			PWM0	O	PIO, I, PU, ST
N2	VDDIOP1	GPIO	PC19	I/O			LCDDAT19	O			PWM1	O	PIO, I, PU, ST
N3	VDDIOP1	GPIO	PC20	I/O			LCDDAT20	O			PWM2	O	PIO, I, PU, ST
P1	VDDIOP1	GPIO	PC21	I/O			LCDDAT21	O			PWM3	O	PIO, I, PU, ST
P2	VDDIOP1	GPIO	PC22	I/O			LCDDAT22	O	TXD3	O			PIO, I, PU, ST
P3	VDDIOP1	GPIO	PC23	I/O			LCDDAT23	O	RXD3	I			PIO, I, PU, ST
R1	VDDIOP1	GPIO	PC24	I/O			LCDDISP	O	RTS3	O			PIO, I, PU, ST
R3	VDDIOP1	GPIO	PC25	I/O					CTS3	I			PIO, I, PU, ST
R2	VDDIOP1	GPIO	PC26	I/O			LCDPWM	O	SCK3	I/O			PIO, I, PU, ST

**Table 4-1. BGA217 Pin Description (Continued)**

Ball	Power Rail	I/O Type	Primary		Alternate		PIO Peripheral A		PIO Peripheral B		PIO Peripheral C		Reset State
			Signal	Dir	Signal	Dir	Signal	Dir	Signal	Dir	Signal	Dir	Signal, Dir, PU, PD, ST
T1	VDDIOP1	GPIO	PC27	I/O			LCDVSYNC	O			RTS1	O	PIO, I, PU, ST
M4	VDDIOP1	GPIO	PC28	I/O			LCDHSYNC	O			CTS1	I	PIO, I, PU, ST
N4	VDDIOP1	GPIO_CLK	PC29	I/O			LCDDEN	O			SCK1	I/O	PIO, I, PU, ST
T2	VDDIOP1	GPIO_CLK2	PC30	I/O			LCDPCK	O					PIO, I, PU, ST
U1	VDDIOP1	GPIO	PC31	I/O			FIQ	I			PCK1	O	PIO, I, PU, ST
P15	VDDNF	EBI	PD0	I/O			NANDOE	O					PIO, I, PU
N14	VDDNF	EBI	PD1	I/O			NANDWE	O					PIO, I, PU
M15	VDDNF	EBI	PD2	I/O			A21/NANDALE	O					A21,O, PD
M14	VDDNF	EBI	PD3	I/O			A22/NANDCLE	O					A22,O, PD
P16	VDDNF	EBI	PD4	I/O			NCS3	O					PIO, I, PU
M17	VDDNF	EBI	PD5	I/O			NWAIT	I					PIO, I, PU
L15	VDDNF	EBI	PD6	I/O			D16	O					PIO, I, PU
L16	VDDNF	EBI	PD7	I/O			D17	O					PIO, I, PU
L17	VDDNF	EBI	PD8	I/O			D18	O					PIO, I, PU
K17	VDDNF	EBI	PD9	I/O			D19	O					PIO, I, PU
K16	VDDNF	EBI	PD10	I/O			D20	O					PIO, I, PU
K15	VDDNF	EBI	PD11	I/O			D21	O					PIO, I, PU
J17	VDDNF	EBI	PD12	I/O			D22	O					PIO, I, PU
J16	VDDNF	EBI	PD13	I/O			D23	O					PIO, I, PU
H17	VDDNF	EBI	PD14	I/O			D24	O					PIO, I, PU
J15	VDDNF	EBI	PD15	I/O			D25	O	A20	O			A20, O, PD
G17	VDDNF	EBI	PD16	I/O			D26	O	A23	O			A23, O, PD
H16	VDDNF	EBI	PD17	I/O			D27	O	A24	O			A24, O, PD
H15	VDDNF	EBI	PD18	I/O			D28	O	A25	O			A25, O, PD
F17	VDDNF	EBI	PD19	I/O			D29	O	NCS2	O			PIO, I, PU
G16	VDDNF	EBI	PD20	I/O			D30	O	NCS4	O			PIO, I, PU
E17	VDDNF	EBI	PD21	I/O			D31	O	NCS5	O			PIO, I, PU
H8 H9 H10	VDDIOM	POWER	VDDIOM	I									I
J14 K14 L14	VDDNF	POWER	VDDNF	I									I
J8 J9 J10 K9 K10	GNDIOM	GND	GNDIOM	I									I
P9 P12	VDDIOP0	POWER	VDDIOP0	I									I
L3 L4	VDDIOP1	POWER	VDDIOP1	I									I
P6 P7 P13	GNDIOP	GND	GNDIOP	I									I

**Table 4-1. BGA217 Pin Description (Continued)**

Ball	Power Rail	I/O Type	Primary		Alternate		PIO Peripheral A		PIO Peripheral B		PIO Peripheral C		Reset State
			Signal	Dir	Signal	Dir	Signal	Dir	Signal	Dir	Signal	Dir	Signal, Dir, PU, PD, ST
D6	VDDBU	POWER	VDDBU	I									I
D5 B3	GNDBU	GND	GNDBU	I									I
C4	VDDANA	POWER	VDDANA	I									I
B2	GNDANA	GND	GNDANA	I									I
T16	VDDPLL	POWER	VDDPLL	I									I
P14	GNDPLL	GND	GNDPLL	I									I
R14	VDDOSC	POWER	VDDOSC	I									I
R15	VDDUSB	POWER	VDDUSB	I									I
N16	VDDFUSE	POWER	VDDFUSE	I									I
M16	GNDFUSE	GND	GNDFUSE										I
T17	GNDUSB	GND	GNDUSB	I									I
C8 G15 J4 P10	VDDCORE	POWER	VDDCORE	I									I
D8 H14 K8 P11	GNDCORE	GND	GNDCORE	I									I
B14	VDDIOM	EBI	D0	I/O									O, PD
A14	VDDIOM	EBI	D1	I/O									O, PD
C14	VDDIOM	EBI	D2	I/O									O, PD
D13	VDDIOM	EBI	D3	I/O									O, PD
C13	VDDIOM	EBI	D4	I/O									O, PD
B13	VDDIOM	EBI	D5	I/O									O, PD
A13	VDDIOM	EBI	D6	I/O									O, PD
C12	VDDIOM	EBI	D7	I/O									O, PD
D12	VDDIOM	EBI	D8	I/O									O, PD
B12	VDDIOM	EBI	D9	I/O									O, PD
C11	VDDIOM	EBI	D10	I/O									O, PD
D11	VDDIOM	EBI	D11	I/O									O, PD
A12	VDDIOM	EBI	D12	I/O									O, PD
B11	VDDIOM	EBI	D13	I/O									O, PD
A11	VDDIOM	EBI	D14	I/O									O, PD
C10	VDDIOM	EBI	D15	I/O									O, PD
D17	VDDIOM	EBI_O	A0	O	NBS0	O							O, PD
C17	VDDIOM	EBI_O	A1	O	NBS2/ DQM2/ NWR2	O							O, PD
F16	VDDIOM	EBI_O	A2	O									O, PD
B17	VDDIOM	EBI_O	A3	O									O, PD
A17	VDDIOM	EBI_O	A4	O									O, PD
F15	VDDIOM	EBI_O	A5	O									O, PD

**Table 4-1. BGA217 Pin Description (Continued)**

Ball	Power Rail	I/O Type	Primary		Alternate		PIO Peripheral A		PIO Peripheral B		PIO Peripheral C		Reset State
			Signal	Dir	Signal	Dir	Signal	Dir	Signal	Dir	Signal	Dir	Signal, Dir, PU, PD, ST
E16	VDDIOM	EBI_O	A6	O									O, PD
D16	VDDIOM	EBI_O	A7	O									O, PD
E15	VDDIOM	EBI_O	A8	O									O, PD
G14	VDDIOM	EBI_O	A9	O									O, PD
C16	VDDIOM	EBI_O	A10	O									O, PD
F14	VDDIOM	EBI_O	A11	O									O, PD
B16	VDDIOM	EBI_O	A12	O									O, PD
A16	VDDIOM	EBI_O	A13	O									O, PD
C15	VDDIOM	EBI_O	A14	O									O, PD
D15	VDDIOM	EBI_O	A15	O									O, PD
B15	VDDIOM	EBI_O	A16	O	BA0	O							O, PD
E14	VDDIOM	EBI_O	A17	O	BA1	O							O, PD
A15	VDDIOM	EBI_O	A18	O	BA2	O							O, PD
D14	VDDIOM	EBI_O	A19	O									O, PD
B7	VDDIOM	EBI_O	NCS0	O									O, PU
C5	VDDIOM	EBI_O	NCS1	O	SDCS	O							O, PU
C7	VDDIOM	EBI_O	NRD	O									O, PU
A6	VDDIOM	EBI_O	NWR0	O	NWRE	O							O, PU
C6	VDDIOM	EBI_O	NWR1	O	NBS1	O							O, PU
D7	VDDIOM	EBI_O	NWR3	O	NBS3/ DQM3	O							O, PU
A10	VDDIOM	EBI_CLK	SDCK	O									O
A9	VDDIOM	EBI_CLK	#SDCK	O									O
D10	VDDIOM	EBI_O	SDCKE	O									O, PU
B9	VDDIOM	EBI_O	RAS	O									O, PU
D9	VDDIOM	EBI_O	CAS	O									O, PU
B10	VDDIOM	EBI_O	SDWE	O									O, PU
B6	VDDIOM	EBI_O	SDA10	O									O, PU
C9	VDDIOM	EBI_O	DQM0	O									O, PU
A8	VDDIOM	EBI_O	DQM1	O									O, PU
B8	VDDIOM	EBI	DQS0	I/O									O, PD
A7	VDDIOM	EBI	DQS1	I/O									O, PD
A2	VDDANA	POWER	ADVREF	I									I
P17	VDDUSB	USBFS	HDP	I/O									O, PD
N17	VDDUSB	USBFS	HDM	I/O									O, PD
R17	VDDUSB	USBFS	DDP	I/O									O, PD
R16	VDDUSB	USBFS	DDM	I/O									O, PD
A5	VDDBU	SYSC	WKUP	I									I, ST
B5	VDDBU	SYSC	SHDN	O									O, PU
U15	VDDCORE	RSTJTAG	BMS	I									I, PD, ST
B4	VDDBU	SYSC	JTAGSEL	I									I, PD

**Table 4-1. BGA217 Pin Description (Continued)**

Ball	Power Rail	I/O Type	Primary		Alternate		PIO Peripheral A		PIO Peripheral B		PIO Peripheral C		Reset State
			Signal	Dir	Signal	Dir	Signal	Dir	Signal	Dir	Signal	Dir	Signal, Dir, PU, PD, ST
R12	VDDIOP0	RSTJTAG	TCK	I									I, ST
R11	VDDIOP0	RSTJTAG	TDI	I									I, ST
U14	VDDIOP0	RSTJTAG	TDO	O									O
T13	VDDIOP0	RSTJTAG	TMS	I									I, ST
T14	VDDIOP0	RSTJTAG	RTCK	O									O
R13	VDDIOP0	RSTJTAG	NRST	I/O									I, PU, ST
T15	VDDIOP0	RSTJTAG	NTRST	I									I, PU, ST
A4	VDDBU	CLOCK	XIN32	I									I
A3	VDDBU	CLOCK	XOUT32	O									O
U17	VDDIOP0	CLOCK	XIN	I									I
U16	VDDIOP0	CLOCK	XOUT	O									O
N15	NC												



## 4.4 247-ball BGA Package Pinout

Table 4-2. BGA247 Pin Description

Ball	Power Rail	I/O Type	Primary		Alternate		PIO Peripheral A		PIO Peripheral B		PIO Peripheral C		Reset State
			Signal	Dir	Signal	Dir	Signal	Dir	Signal	Dir	Signal	Dir	Signal, Dir, PU, PD, ST
P3	VDDIOP0	GPIO	PA0	I/O			TXD0	O	SPI1_NPCS1	O			PIO, I, PU, ST
R2	VDDIOP0	GPIO	PA1	I/O			RXD0	I	SPI0_NPCS2	O			PIO, I, PU, ST
R9	VDDIOP0	GPIO	PA2	I/O			RTS0	O					PIO, I, PU, ST
N5	VDDIOP0	GPIO	PA3	I/O			CTS0	I					PIO, I, PU, ST
P10	VDDIOP0	GPIO	PA4	I/O			SCK0	I/O					PIO, I, PU, ST
R3	VDDIOP0	GPIO	PA5	I/O			TXD1	O					PIO, I, PU, ST
R10	VDDIOP0	GPIO	PA6	I/O			RXD1	I					PIO, I, PU, ST
T2	VDDIOP0	GPIO	PA7	I/O			TXD2	O	SPI0_NPCS1	O			PIO, I, PU, ST
P6	VDDIOP0	GPIO	PA8	I/O			RXD2	I	SPI1_NPCS0	I/O			PIO, I, PU, ST
T3	VDDIOP0	GPIO	PA9	I/O			DRXD	I					PIO, I, PU, ST
U2	VDDIOP0	GPIO	PA10	I/O			DTXD	O					PIO, I, PU, ST
P5	VDDIOP0	GPIO	PA11	I/O			SPI0_MISO	I/O	MCDA4	I/O			PIO, I, PU, ST
V2	VDDIOP0	GPIO	PA12	I/O			SPI0_MOSI	I/O	MCDA5	I/O			PIO, I, PU, ST
V1	VDDIOP0	GPIO_CLK	PA13	I/O			SPI0_SPCK	I/O	MCDA6	I/O			PIO, I, PU, ST
W2	VDDIOP0	GPIO	PA14	I/O			SPI0_NPCS0	I/O	MCDA7	I/O			PIO, I, PU, ST
W1	VDDIOP0	GPIO	PA15	I/O			MCDA0	I/O					PIO, I, PU, ST
V3	VDDIOP0	GPIO	PA16	I/O			MCCDA	I/O					PIO, I, PU, ST
R5	VDDIOP0	GPIO_CLK	PA17	I/O			MCCK	I/O					PIO, I, PU, ST
U3	VDDIOP0	GPIO	PA18	I/O			MCDA1	I/O					PIO, I, PU, ST
V4	VDDIOP0	GPIO	PA19	I/O			MCDA2	I/O					PIO, I, PU, ST
U4	VDDIOP0	GPIO	PA20	I/O			MCDA3	I/O					PIO, I, PU, ST
V5	VDDIOP0	GPIO	PA21	I/O			TIOA0	I/O	SPI1_MISO	I/O			PIO, I, PU, ST
U5	VDDIOP0	GPIO	PA22	I/O			TIOA1	I/O	SPI1_MOSI	I/O			PIO, I, PU, ST
R6	VDDIOP0	GPIO_CLK	PA23	I/O			TIOA2	I/O	SPI1_SPCK	I/O			PIO, I, PU, ST
R7	VDDIOP0	GPIO	PA24	I/O			TCLK0	I	TK	I/O			PIO, I, PU, ST
U6	VDDIOP0	GPIO	PA25	I/O			TCLK1	I	TF	I/O			PIO, I, PU, ST
V6	VDDIOP0	GPIO	PA26	I/O			TCLK2	I	TD	O			PIO, I, PU, ST
R8	VDDIOP0	GPIO	PA27	I/O			TIOB0	I/O	RD	I			PIO, I, PU, ST
U7	VDDIOP0	GPIO	PA28	I/O			TIOB1	I/O	RK	I/O			PIO, I, PU, ST
P11	VDDIOP0	GPIO	PA29	I/O			TIOB2	I/O	RF	I/O			PIO, I, PU, ST
V7	VDDIOP0	GPIO	PA30	I/O			TWD0	I/O	SPI1_NPCS3	O			PIO, I, PU, ST
N12	VDDIOP0	GPIO	PA31	I/O			TWCK0	O	SPI1_NPCS2	O			PIO, I, PU, ST
G6	VDDANA	GPIO	PB0	I/O					RTS2	O			PIO, I, PU, ST
E3	VDDANA	GPIO	PB1	I/O					CTS2	I			PIO, I, PU, ST
G5	VDDANA	GPIO	PB2	I/O					SCK2	I/O			PIO, I, PU, ST
F2	VDDANA	GPIO	PB3	I/O					SPI0_NPCS3	O			PIO, I, PU, ST
E2	VDDANA	GPIO_CLK	PB4	I/O									PIO, I, PU, ST
E5	VDDANA	GPIO	PB5	I/O									PIO, I, PU, ST

**Table 4-2. BGA247 Pin Description (Continued)**

Ball	Power Rail	I/O Type	Primary		Alternate		PIO Peripheral A		PIO Peripheral B		PIO Peripheral C		Reset State
			Signal	Dir	Signal	Dir	Signal	Dir	Signal	Dir	Signal	Dir	Signal, Dir, PU, PD, ST
C2	VDDANA	GPIO_ANA	PB6	I/O	AD7	I							PIO, I, PU, ST
B2	VDDANA	GPIO_ANA	PB7	I/O	AD8	I							PIO, I, PU, ST
A2	VDDANA	GPIO_ANA	PB8	I/O	AD9	I							PIO, I, PU, ST
B1	VDDANA	GPIO_ANA	PB9	I/O	AD10	I			PCK1	O			PIO, I, PU, ST
A1	VDDANA	GPIO_ANA	PB10	I/O	AD11	I			PCK0	O			PIO, I, PU, ST
C7	VDDANA	GPIO_ANA	PB11	I/O	AD0	I			PWM0	O			PIO, I, PU, ST
C8	VDDANA	GPIO_ANA	PB12	I/O	AD1	I			PWM1	O			PIO, I, PU, ST
D3	VDDANA	GPIO_ANA	PB13	I/O	AD2	I			PWM2	O			PIO, I, PU, ST
F5	VDDANA	GPIO_ANA	PB14	I/O	AD3	I			PWM3	O			PIO, I, PU, ST
E6	VDDANA	GPIO_ANA	PB15	I/O	AD4	I							PIO, I, PU, ST
C9	VDDANA	GPIO_ANA	PB16	I/O	AD5	I				I			PIO, I, PU, ST
D2	VDDANA	GPIO_ANA	PB17	I/O	AD6	I				I			PIO, I, PU, ST
E7	VDDANA	GPIO	PB18	I/O			IRQ	I	ADTRG	I			PIO, I, PU, ST
F3	VDDIOP1	GPIO	PC0	I/O			LCDDAT0	O			TWD1	I/O	PIO, I, PU, ST
G2	VDDIOP1	GPIO	PC1	I/O			LCDDAT1	O			TWCK1	O	PIO, I, PU, ST
L7	VDDIOP1	GPIO	PC2	I/O			LCDDAT2	O			TIOA3	I/O	PIO, I, PU, ST
G3	VDDIOP1	GPIO	PC3	I/O			LCDDAT3	O			TIOB3	I/O	PIO, I, PU, ST
H5	VDDIOP1	GPIO	PC4	I/O			LCDDAT4	O			TCLK3	I	PIO, I, PU, ST
M7	VDDIOP1	GPIO	PC5	I/O			LCDDAT5	O			TIOA4	I/O	PIO, I, PU, ST
H3	VDDIOP1	GPIO	PC6	I/O			LCDDAT6	O			TIOB4	I/O	PIO, I, PU, ST
H2	VDDIOP1	GPIO	PC7	I/O			LCDDAT7	O			TCLK4	I	PIO, I, PU, ST
J3	VDDIOP1	GPIO	PC8	I/O			LCDDAT8	O			UTXD0	O	PIO, I, PU, ST
M8	VDDIOP1	GPIO	PC9	I/O			LCDDAT9	O			URXD0	I	PIO, I, PU, ST
J5	VDDIOP1	GPIO	PC10	I/O			LCDDAT10	O			PWM0	O	PIO, I, PU, ST
K6	VDDIOP1	GPIO	PC11	I/O			LCDDAT11	O			PWM1	O	PIO, I, PU, ST
P9	VDDIOP1	GPIO	PC12	I/O			LCDDAT12	O			TIOA5	I/O	PIO, I, PU, ST
L6	VDDIOP1	GPIO	PC13	I/O			LCDDAT13	O			TIOB5	I/O	PIO, I, PU, ST
J2	VDDIOP1	GPIO	PC14	I/O			LCDDAT14	O			TCLK5	I	PIO, I, PU, ST
K3	VDDIOP1	GPIO_CLK	PC15	I/O			LCDDAT15	O			PCK0	O	PIO, I, PU, ST
K2	VDDIOP1	GPIO	PC16	I/O			LCDDAT16	O			UTXD1	O	PIO, I, PU, ST
K5	VDDIOP1	GPIO	PC17	I/O			LCDDAT17	O			URXD1	I	PIO, I, PU, ST
L3	VDDIOP1	GPIO	PC18	I/O			LCDDAT18	O			PWM0	O	PIO, I, PU, ST
N8	VDDIOP1	GPIO	PC19	I/O			LCDDAT19	O			PWM1	O	PIO, I, PU, ST
L2	VDDIOP1	GPIO	PC20	I/O			LCDDAT20	O			PWM2	O	PIO, I, PU, ST
P8	VDDIOP1	GPIO	PC21	I/O			LCDDAT21	O			PWM3	O	PIO, I, PU, ST
M3	VDDIOP1	GPIO	PC22	I/O			LCDDAT22	O	TXD3	O			PIO, I, PU, ST
L5	VDDIOP1	GPIO	PC23	I/O			LCDDAT23	O	RXD3	I			PIO, I, PU, ST
N6	VDDIOP1	GPIO	PC24	I/O			LCDDISP	O	RTS3	O			PIO, I, PU, ST
N2	VDDIOP1	GPIO	PC25	I/O					CTS3	I			PIO, I, PU, ST
P7	VDDIOP1	GPIO	PC26	I/O			LCDPWM	O	SCK3	I/O			PIO, I, PU, ST

Table 4-2. BGA247 Pin Description (Continued)

Ball	Power Rail	I/O Type	Primary		Alternate		PIO Peripheral A		PIO Peripheral B		PIO Peripheral C		Reset State
			Signal	Dir	Signal	Dir	Signal	Dir	Signal	Dir	Signal	Dir	Signal, Dir, PU, PD, ST
M2	VDDIOP1	GPIO	PC27	I/O			LCDVSYNC	O			RTS1	O	PIO, I, PU, ST
M5	VDDIOP1	GPIO	PC28	I/O			LCDHSYNC	O			CTS1	I	PIO, I, PU, ST
N3	VDDIOP1	GPIO_CLK	PC29	I/O			LCDDEN	O			SCK1	I/O	PIO, I, PU, ST
M6	VDDIOP1	GPIO_CLK2	PC30	I/O			LCDPCK	O					PIO, I, PU, ST
P2	VDDIOP1	GPIO	PC31	I/O			FIQ	I			PCK1	O	PIO, I, PU, ST
R14	VDDNF	EBI	PD0	I/O			NANDOE	O					PIO, I, PU
R15	VDDNF	EBI	PD1	I/O			NANDWE	O					PIO, I, PU
T17	VDDNF	EBI	PD2	I/O			A21/NANDALE	O					A21,O, PD
P15	VDDNF	EBI	PD3	I/O			A22/NANDCLE	O					A22,O, PD
R17	VDDNF	EBI	PD4	I/O			NCS3	O					PIO, I, PU
M15	VDDNF	EBI	PD5	I/O			NWAIT	I					PIO, I, PU
N15	VDDNF	EBI	PD6	I/O			D16	O					PIO, I, PU
V13	VDDNF	EBI	PD7	I/O			D17	O					PIO, I, PU
L14	VDDNF	EBI	PD8	I/O			D18	O					PIO, I, PU
W18	VDDNF	EBI	PD9	I/O			D19	O					PIO, I, PU
V18	VDDNF	EBI	PD10	I/O			D20	O					PIO, I, PU
W19	VDDNF	EBI	PD11	I/O			D21	O					PIO, I, PU
V19	VDDNF	EBI	PD12	I/O			D22	O					PIO, I, PU
N18	VDDNF	EBI	PD13	I/O			D23	O					PIO, I, PU
L15	VDDNF	EBI	PD14	I/O			D24	O					PIO, I, PU
N17	VDDNF	EBI	PD15	I/O			D25	O	A20	O			A20, O, PD
M18	VDDNF	EBI	PD16	I/O			D26	O	A23	O			A23, O, PD
M17	VDDNF	EBI	PD17	I/O			D27	O	A24	O			A24, O, PD
P17	VDDNF	EBI	PD18	I/O			D28	O	A25	O			A25, O, PD
L18	VDDNF	EBI	PD19	I/O			D29	O	NCS2	O			PIO, I, PU
K15	VDDNF	EBI	PD20	I/O			D30	O	NCS4	O			PIO, I, PU
L17	VDDNF	EBI	PD21	I/O			D31	O	NCS5	O			PIO, I, PU
E8, E9, E13, F7, F8, F9, G14	VDDIOM	POWER	VDDIOM	I									I
M14,P 13,U10 ,V9, V10, V11	VDDNF	POWER	VDDNF	I									I

Table 4-2. BGA247 Pin Description (Continued)

Ball	Power Rail	I/O Type	Primary		Alternate		PIO Peripheral A		PIO Peripheral B		PIO Peripheral C		Reset State
			Signal	Dir	Signal	Dir	Signal	Dir	Signal	Dir	Signal	Dir	Signal, Dir, PU, PD, ST
H6, H7, J6, J7, J8, F10, F11, F12, F13, F14, F15, F16	GNDIOM	GND	GNDIOM	I									I
N11, M12, M13	VDDIOP0	POWER	VDDIOP0	I									I
M9, M10, M11	VDDIOP1	POWER	VDDIOP1	I									I
L10, L11, L12, L13, V14	GNDIOP	GND	GNDIOP	I									I
B6	VDDBU	POWER	VDDBU	I									I
B7	GNDBU	GND	GNDBU	I									I
F6	VDDANA	POWER	VDDANA	I									I
C3	GNDANA	GND	GNDANA	I									I
V17	VDDPLL	POWER	VDDPLL	I									I
U16	GNDPLL	GND	GNDPLL	I									I
P14	VDDFUSE	POWER	VDDFUSE	I									I
N14	GNDFUSE	GND	GNDFUSE	I									I
R12	VDDOSC	POWER	VDDOSC	I									I
U13	VDDUSB	POWER	VDDUSB	I									I
U17	GNDUSB	GND	GNDUSB	I									I
J12, J13, J14, K10, K11, K12, K13, K14, U15	VDDCORE	POWER	VDDCORE	I									I
H9, J9, J10, J11, K7, K8, K9, L8, L9	GNDCORE	GND	GNDCORE	I									I
A19	VDDIOM	EBI	D0	I/O									I, PD
E15	VDDIOM	EBI	D1	I/O									I, PD
C18	VDDIOM	EBI	D2	I/O									I, PD

**Table 4-2. BGA247 Pin Description (Continued)**

Ball	Power Rail	I/O Type	Primary		Alternate		PIO Peripheral A		PIO Peripheral B		PIO Peripheral C		Reset State
			Signal	Dir	Signal	Dir	Signal	Dir	Signal	Dir	Signal	Dir	Signal, Dir, PU, PD, ST
D15	VDDIOM	EBI	D3	I/O									I, PD
B17	VDDIOM	EBI	D4	I/O									I, PD
E14	VDDIOM	EBI	D5	I/O									I, PD
C16	VDDIOM	EBI	D6	I/O									I, PD
A18	VDDIOM	EBI	D7	I/O									I, PD
B15	VDDIOM	EBI	D8	I/O									I, PD
G12	VDDIOM	EBI	D9	I/O									I, PD
C14	VDDIOM	EBI	D10	I/O									I, PD
D13	VDDIOM	EBI	D11	I/O									I, PD
A16	VDDIOM	EBI	D12	I/O									I, PD
A14	VDDIOM	EBI	D13	I/O									I, PD
B13	VDDIOM	EBI	D14	I/O									I, PD
H13	VDDIOM	EBI	D15	I/O									I, PD
J15	VDDIOM	EBI_O	A0	O	NBS0	O							O
K18	VDDIOM	EBI_O	A1	O	NBS2/ DQM2/ NWR2	O							O
K17	VDDIOM	EBI_O	A2	O									O
H15	VDDIOM	EBI_O	A3	O									O
J18	VDDIOM	EBI_O	A4	O									O
J17	VDDIOM	EBI_O	A5	O									O
G17	VDDIOM	EBI_O	A6	O									O
H17	VDDIOM	EBI_O	A7	O									O
H18	VDDIOM	EBI_O	A8	O									O
H14	VDDIOM	EBI_O	A9	O									O
G18	VDDIOM	EBI_O	A10	O									O
F18	VDDIOM	EBI_O	A11	O									O
F17	VDDIOM	EBI_O	A12	O									O
E19	VDDIOM	EBI_O	A13	O									O
D19	VDDIOM	EBI_O	A14	O									O
E18	VDDIOM	EBI_O	A15	O									O
G15	VDDIOM	EBI_O	A16	O	BA0	O							O
E16	VDDIOM	EBI_O	A17	O	BA1	O							O
B19	VDDIOM	EBI_O	A18	O	BA2	O							O
D17	VDDIOM	EBI_O	A19	O									O
B9	VDDIOM	EBI_O	NCS0	O									O, PU
B8	VDDIOM	EBI_O	NCS1	O	SDCS	O							O, PU
E10	VDDIOM	EBI_O	NRD	O									O, PU
G10	VDDIOM	EBI_O	NWR0	O	NWRE	O							O, PU
C10	VDDIOM	EBI_O	NWR1	O	NBS1	O							O, PU
G9	VDDIOM	EBI_O	NWR3	O	NBS3/ DQM3	O							O, PU

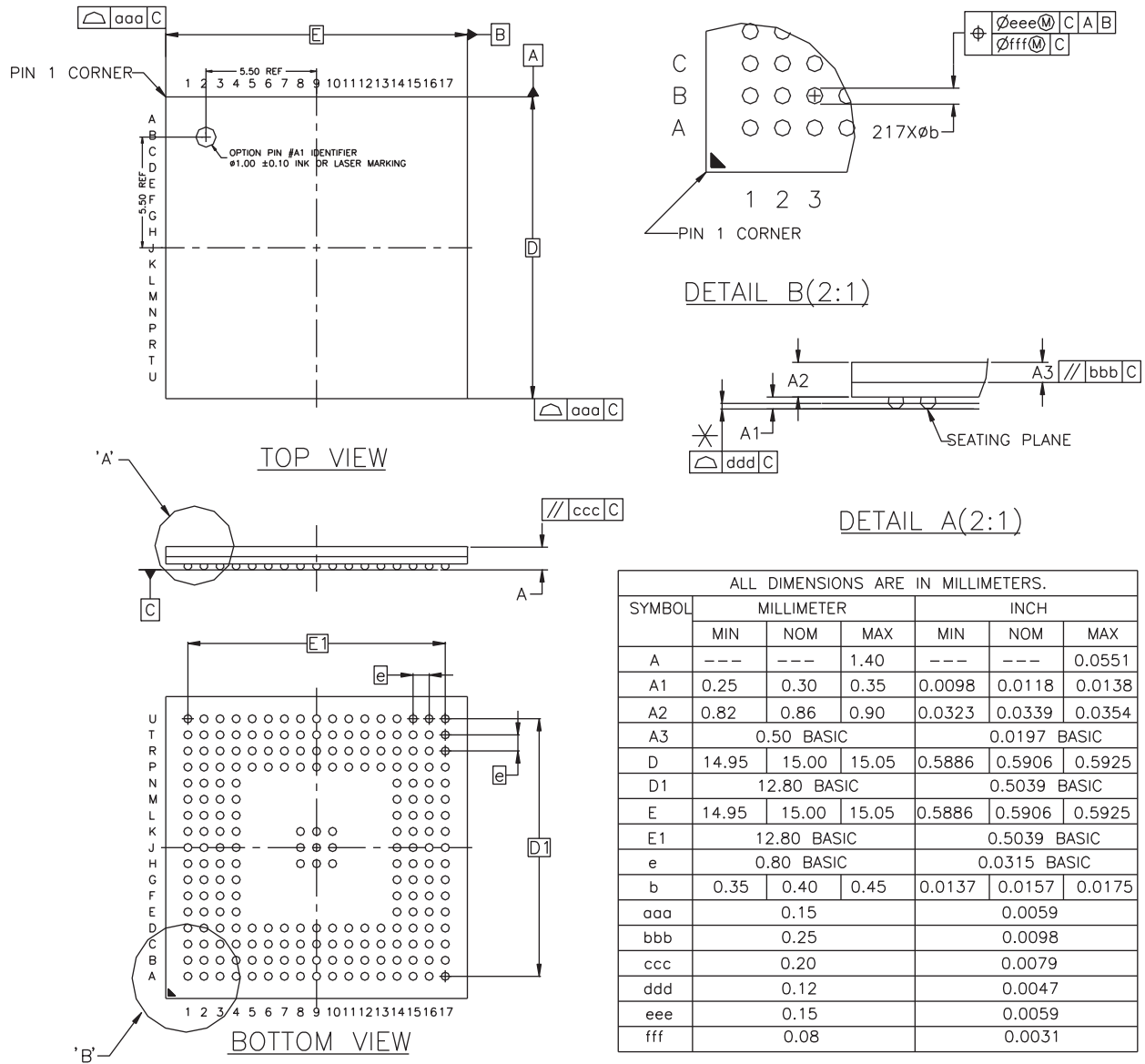
**Table 4-2. BGA247 Pin Description (Continued)**

Ball	Power Rail	I/O Type	Primary		Alternate		PIO Peripheral A		PIO Peripheral B		PIO Peripheral C		Reset State
			Signal	Dir	Signal	Dir	Signal	Dir	Signal	Dir	Signal	Dir	Signal, Dir, PU, PD, ST
B10	VDDIOM	EBI_CLK	SDCK	O									O
B11	VDDIOM	EBI_CLK	#SDCK	O									O
C12	VDDIOM	EBI_O	SDCKE	O									O, PU
G11	VDDIOM	EBI_O	RAS	O									O, PU
E12	VDDIOM	EBI_O	CAS	O									O, PU
H12	VDDIOM	EBI_O	SDWE	O									O, PU
H10	VDDIOM	EBI_O	SDA10	O									O, PU
A12	VDDIOM	EBI_O	DQM0	O									O, PU
C11	VDDIOM	EBI_O	DQM1	O									O, PU
H11	VDDIOM	EBI	DQS0	I/O									I, PD
E11	VDDIOM	EBI	DQS1	I/O									I, PD
B3	VDDANA	POWER	ADVREF	I									I
T18	VDDUSB	USBFS	HDP	I/O									O, PD
U18	VDDUSB	USBFS	HDM	I/O									O, PD
P18	VDDUSB	USBFS	DDP	I/O									O, PD
R18	VDDUSB	USBFS	DDM	I/O									O, PD
C6	VDDBU	SYSC	WKUP	I									I, ST
G8	VDDBU	SYSC	SHDN	O									O, PU
U14	VDDCORE	RSTJTAG	BMS	I									I, PU, ST
C4	VDDBU	SYSC	JTAGSEL	I									I, PD, ST
C5	VDDBU	SYSC	TST	I									I, PD, ST
V8	VDDIOP0	RSTJTAG	TCK	I									I, ST
U8	VDDIOP0	RSTJTAG	TDI	I									I, ST
P12	VDDIOP0	RSTJTAG	TDO	O									O, ST
R11	VDDIOP0	RSTJTAG	TMS	I									I, ST
V12	VDDIOP0	RSTJTAG	RTCK	O									O, ST
U11	VDDIOP0	RSTJTAG	NRST	I/O									O, PU, ST
U9	VDDIOP0	RSTJTAG	NTRST	I									I, PU, ST
B4	VDDBU	CLOCK	XIN32	I									I
B5	VDDBU	CLOCK	XOUT32	O									O
V16	VDDIOP0	CLOCK	XIN	I									I
V15	VDDIOP0	CLOCK	XOUT	O									O
H8			NC										
U12			NC										
R13			NC										

# 5. Mechanical Characteristics

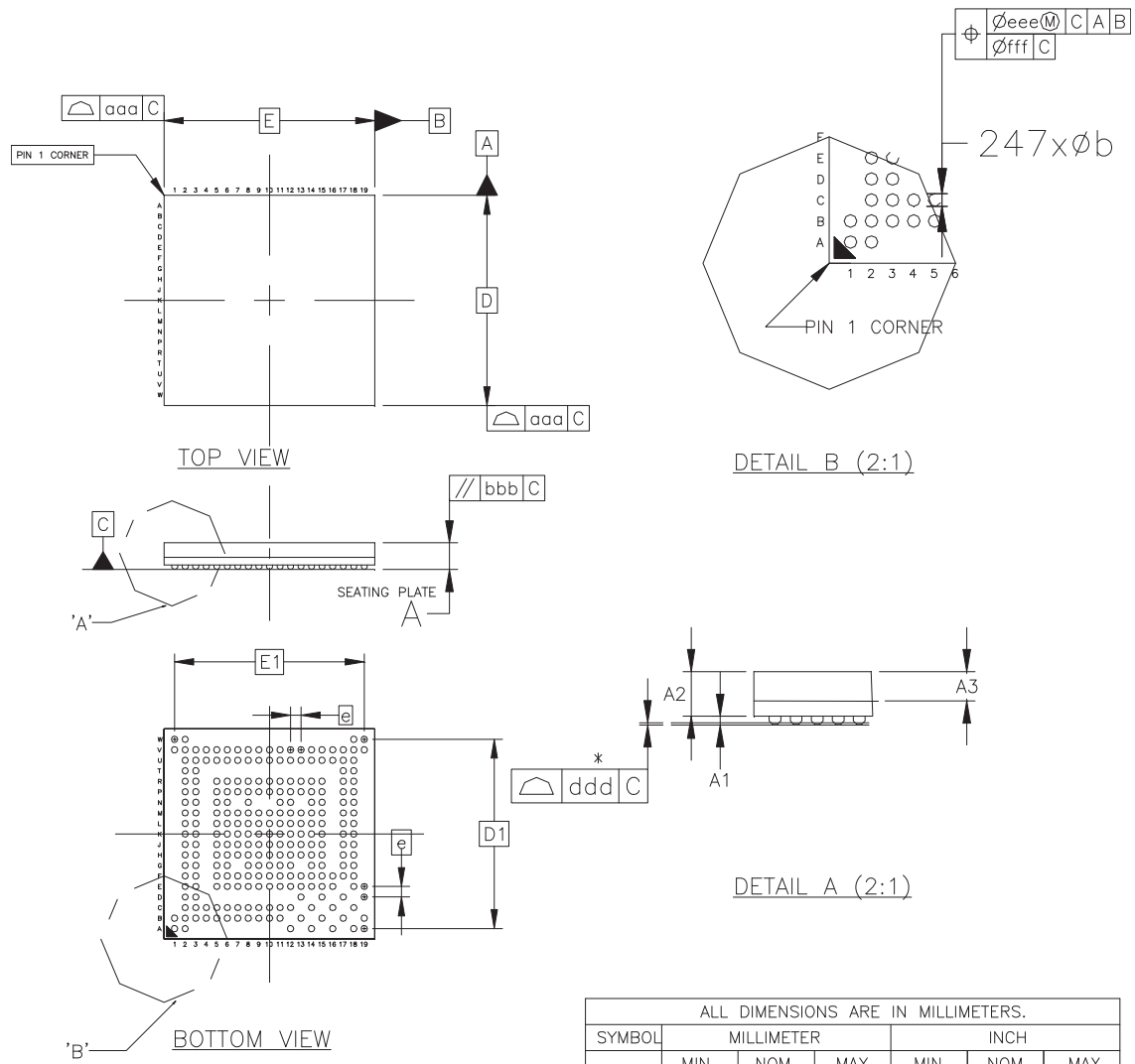
## 5.1 217-ball BGA Package

Figure 5-1. 217-ball BGA Package Drawing



## 5.2 247-ball BGA Package

Figure 5-2. 247-ball BGA Package Drawing



ALL DIMENSIONS ARE IN MILLIMETERS.

SYMBOL	MILLIMETER			INCH		
	MIN	NOM	MAX	MIN	NOM	MAX
A	---	---	1.37	---	---	0.0539
A1	0.16	0.21	0.26	0.0063	0.0083	0.0102
A2	1.02	1.06	1.10	0.0402	0.0417	0.0433
A3	0.70 BASIC			0.0276 BASIC		
D	9.90	10.00	10.10	0.3898	0.3937	0.3976
D1	9 BASIC			0.3543BASIC		
E	9.90	10.00	10.10	0.3898	0.3937	0.3976
E1	9 BASIC			0.3543BASIC		
e	0.5 BASIC			0.0197 BASIC		
b	0.25	0.3	0.35	0.0098	0.0118	0.0138
aaa	0.10			0.0039		
bbb	0.20			0.0079		
ddd	0.08			0.0031		
eee	0.15			0.0059		
fff	0.05			0.0020		



## 6. AT91SAM9N12/CN11/CN12 Ordering Information

Table 6-1. SAM9N12/CN11/CN12 Ordering Information

Ordering Code	MRL	Package	Carrier Type	Package Type	Temperature Operating Range
AT91SAM9CN12-CU	A	BGA217	Tray	Green	Industrial -40°C to 85°C
AT91SAM9CN11-CU	A	BGA217	Tray	Green	Industrial -40°C to 85°C
AT91SAM9N12-CU	A	BGA217	Tray	Green	Industrial -40°C to 85°C
AT91SAM9CN12-CFU	A	BGA247	Tray	Green	Industrial -40°C to 85°C
AT91SAM9CN11-CFU	A	BGA247	Tray	Green	Industrial -40°C to 85°C
AT91SAM9N12-CFU	A	BGA247	Tray	Green	Industrial -40°C to 85°C
AT91SAM9CN12B-CU	B	BGA217	Tray	Green	Industrial -40°C to 85°C
AT91SAM9CN12B-CUR	B	BGA217	Tape & Reel	Green	Industrial -40°C to 85°C
AT91SAM9CN12B-CFU	B	BGA247	Tray	Green	Industrial -40°C to 85°C
AT91SAM9CN12B-CFUR	B	BGA247	Tape & Reel	Green	Industrial -40°C to 85°C

## Revision History

In the table that follows, the most recent version of the document appears first.

“rfo” indicates changes requested during the document review and approval loop.

Doc. Rev	Comments	Change Request Ref.
11063HS	<p>“Description”, revised content and presentation.</p> <p>Section 1. “Features”:</p> <ul style="list-style-type: none"> <li>- added a list on safety features</li> <li>- moved SHA references to “Safety” list</li> </ul> <p>Section 3. “Signal Description”:</p> <ul style="list-style-type: none"> <li>- removed references to VBG pins in Table 3-1, “Signal Description List”</li> <li>- removed Table 3-2 SAM9N12/CN11/CN12 I/O Type Description</li> </ul> <p>Table 6-1, “SAM9N12/CN11/CN12 Ordering Information”:</p> <ul style="list-style-type: none"> <li>- added MRL and Carrier Type columns</li> <li>- added ordering codes for MRLB</li> </ul>	<p>rfo</p> <p>rfo</p> <p>8531/rfo</p> <p>rfo</p>
11063GS	<p>Table 6-1, “SAM9N12/CN11/CN12 Ordering Information” updated with new ordering codes for BGA247 packages.</p> <p>Section “Description” put before Section 1. “Features”.</p> <p>Sections 5 to 9 deleted (5 Power Considerations, 6 Memories, 7 System Controller, 8 Peripherals, 9 Embedded Peripherals).</p>	<p>8804</p> <p>rfo</p>
11063FS	<p>Added “Write Protected Registers in Section 1. “Features”.</p> <p>Product name updated to SAM9N12/SAM9CN11/SAM9CN12.</p> <p>Section “Description” updated with the various devices configurations: device configuration table added.</p> <p>Bullets for SAM9CN11 and SAM9N12 added in Section 7.3 “Chip Identification”.</p> <p>Ordering codes added for SAM9N12 and SAM9CN11 in Table 6-1, “SAM9N12/CN11/CN12 Ordering Information”.</p>	<p>8213</p> <p>8244</p>
11063ES	<p>Section 1. “Features”, Memories, “Boot on NANDFlash, SDCard, DataFlash or serial DataFlash. Programmable order” removed.</p> <p>Section “Description”, 125 MHz --&gt; 133 MHz</p> <p>“FIPS PUB 46-3 compliant TDES” removed from 3rd paragraph</p> <p>Table 3-1, “Signal Description List”, NFD0-NFD16 --&gt; NFD0-NFD15</p> <p>Section 7.3 “Chip Identification”, Chip ID: 0x819A_05A0 --&gt; 0x819A_05A1</p> <p>Table 8-1, “SAM9N12/CN11/CN12 Peripheral Identifiers”, Replaced keyword ‘Reserved’ on 4th row with ‘FUSE’</p> <p>Section 9.8 “Power Management Controller (PMC)”, 250MHz DDR --&gt; 133 MHz DDR</p>	<p>rfo</p> <p>7928</p> <p>rfo</p> <p>rfo</p> <p>rfo</p> <p>8039</p> <p>7975</p>
11063DS	<p>Section 1. “Features”,</p> <p>Updated...”Processor running up to 400 MHz...”</p> <p>Updated...”System running up to 133 MHz...”</p> <p>Back page:</p> <p>Updated point of contact information.</p>	<p>7847</p> <p>Marcom</p>

Doc. Rev	Comments	Change Request Ref.
11063CS	<p>Section 1. "Features" SLC NAND Flash is supported.</p> <p>Section "Description", 1st paragraph, the 2nd sentence was removed.</p> <p>Table 4-1, "BGA217 Pin Description", table updated with values in Ball column.</p> <p>Table 5-1, "SAM9N12/CN11/CN12 Power Supplies", VDDFUSE Voltage Range updated, 3.0V-3.6V.</p> <p>Section 6.3.3 "DDR-SDRAM Controller", revised.</p> <p>Section 7.3 "Chip Identification", removed "two" lines.</p> <p>Section 8.4 "Peripheral Signal Multiplexing on I/O Lines", removed irrelevant text.</p> <p>Elsewhere, minor grammar revisions. Advance Information status removed.</p>	<p>rfo</p> <p>7395</p> <p>rfo</p> <p>7269</p> <p>7392</p> <p>rfo</p>
11063BS	Table 4-2, "BGA247 Pin Description", updated.	7271
11063AS	First issue	



Enabling Unlimited Possibilities®

**Atmel Corporation**

1600 Technology Drive  
San Jose, CA 95110  
USA

**Tel:** (+1) (408) 441-0311

**Fax:** (+1) (408) 487-2600

[www.atmel.com](http://www.atmel.com)

**Atmel Asia Limited**

Unit 01-5 & 16, 19F  
BEA Tower, Millennium City 5  
418 Kwun Tong Road

Kwun Tong, Kowloon

HONG KONG

**Tel:** (+852) 2245-6100

**Fax:** (+852) 2722-1369

**Atmel Munich GmbH**

Business Campus  
Parkring 4  
D-85748 Garching b. Munich

GERMANY

**Tel:** (+49) 89-31970-0

**Fax:** (+49) 89-3194621

**Atmel Japan G.K.**

16F Shin-Osaki Kangyo Bldg  
1-6-4 Osaki, Shinagawa-ku  
Tokyo 141-0032

JAPAN

**Tel:** (+81) (3) 6417-0300

**Fax:** (+81) (3) 6417-0370

© 2013 Atmel Corporation. All rights reserved. / Rev.: 11063HS-ATARM-27-Sep-13

Atmel®, Atmel logo and combinations thereof, Enabling Unlimited Possibilities®, SAM-BA® and others are registered trademarks or trademarks of Atmel Corporation or its subsidiaries. ARM®, ARM926EJ-S™, Thumb®, AMBA™ and others are the registered trademarks or trademarks of ARM Ltd. Other terms and product names may be trademarks of others.

Disclaimer: The information in this document is provided in connection with Atmel products. No license, express or implied, by estoppel or otherwise, to any intellectual property right is granted by this document or in connection with the sale of Atmel products. EXCEPT AS SET FORTH IN THE ATMEL TERMS AND CONDITIONS OF SALES LOCATED ON THE ATMEL WEBSITE, ATMEL ASSUMES NO LIABILITY WHATSOEVER AND DISCLAIMS ANY EXPRESS, IMPLIED OR STATUTORY WARRANTY RELATING TO ITS PRODUCTS INCLUDING, BUT NOT LIMITED TO, THE IMPLIED WARRANTY OF MERCHANTABILITY, FITNESS FOR A PARTICULAR PURPOSE, OR NON-INFRINGEMENT. IN NO EVENT SHALL ATMEL BE LIABLE FOR ANY DIRECT, INDIRECT, CONSEQUENTIAL, PUNITIVE, SPECIAL OR INCIDENTAL DAMAGES (INCLUDING, WITHOUT LIMITATION, DAMAGES FOR LOSS AND PROFITS, BUSINESS INTERRUPTION, OR LOSS OF INFORMATION) ARISING OUT OF THE USE OR INABILITY TO USE THIS DOCUMENT, EVEN IF ATMEL HAS BEEN ADVISED OF THE POSSIBILITY OF SUCH DAMAGES. Atmel makes no representations or warranties with respect to the accuracy or completeness of the contents of this document and reserves the right to make changes to specifications and products descriptions at any time without notice. Atmel does not make any commitment to update the information contained herein. Unless specifically provided otherwise, Atmel products are not suitable for, and shall not be used in, automotive applications. Atmel products are not intended, authorized, or warranted for use as components in applications intended to support or sustain life.