



Key Features

- Through hole mount
- Aesthetically designed
- Wide range of connector options
- RoHS compliant
- 28dBi GPS gain
- 1+2dBi GSM gain (frequency dependant)
- 2.15dBi WiFi gain
- Screw body mounting
- Waterproof
- IP66 rated

General Description

The Siretta Tango 6B sharks fin antenna offers an excellent quad band cellular performance coupled with an active GPS stage to provide a reliable antenna and a separate WiFi antenna.

The Tango 6B is completely waterproof and is cost effective value as well as being a robust design suitable for all body mounting applications.

The Tango 6B has three separate cables, one for each antenna. The cable length can be any length required and with any connector.

GPS Specifications

Impedance:	50 ohm
Peak gain:	>3dBi based on 7cmx7cm ground plane
Gain coverage:	>-4dBi -90° <0 <+90° (over 75% volume)
VSWR:	1.5:1
Centre frequency:	1575.42±3MHz
Bandwidth:	±5MHz
Polarization:	RHCP

GSM Specifications

Impedance:	50 ohm
Typical gain:	2dBi ± 1dBi @ 850MHz 2dBi± 1dBi @ 900MHz 1dBi ± 1dBi @ 1800MHz 1dBi ± 1dBi @ 1900MHz
VSWR:	2.0:1
Centre frequency:	850/900/1800/1900MHz

Rev 1.3

WiFi Specifications

Impedance:	50 ohm
Gain:	2.15dBi
VSWR:	≤1.5
Frequency:	2400-2500MHz
Polarization:	Vertical

LNA/Filter Specifications

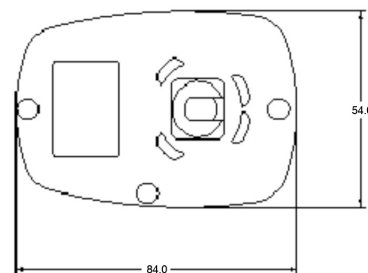
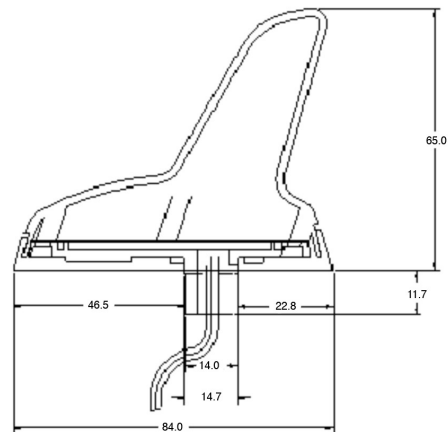
LNA Gain (without cable):	28dBi typical
VSWR:	<2.0
DC voltage:	2.7/3.0/3.5/5.0/3.0 to 5.0V etc
DC current:	11mA Max
Noise figure:	1.5dB
Filter out band attenuation (f0=1575.42MHz):	7dB min f0±20MHz 20dB Min f0±50MHz 30dB Min f0±100MHz

Environmental Specifications

Working temperature:	-40 ~ +85°C
Storage temperature:	-45 ~ +100°C
Vibration:	Sine sweep 1g (0-p) 10~50~10Hz each axis
Humidity:	95 ~ 100% RH
Weatherproof:	100% weatherproof
IP rating:	IP66

Mechanical Specifications

Dimensions:	65 x 54 x 84mm (hwl)
Weight:	240g
Cable:	RG174
Cable length:	According to customer specification
Connector:	SMA/SMB/SMC/BNC/FME/TNC/MXX/MMCX
Mounting method:	15mm screw (hole/roof)



All measurements are given in mm, including rubber seal base

Ordering Details

Part Number	Description
TANGO6B/4M/SMAM/RP/S20	GSM / GPS / WiFi Sharks Fin Antenna, 4m Cable, SMA Male RP Connector