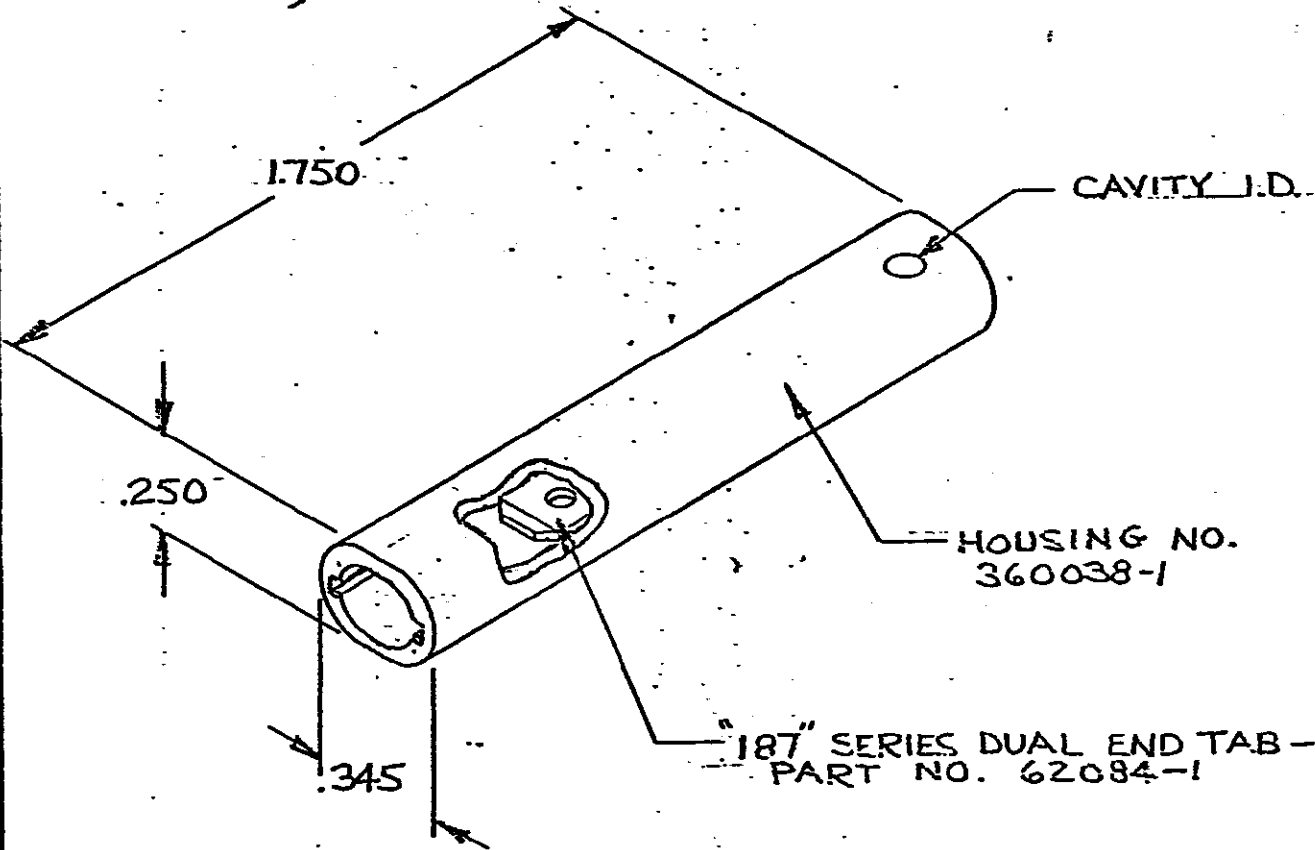
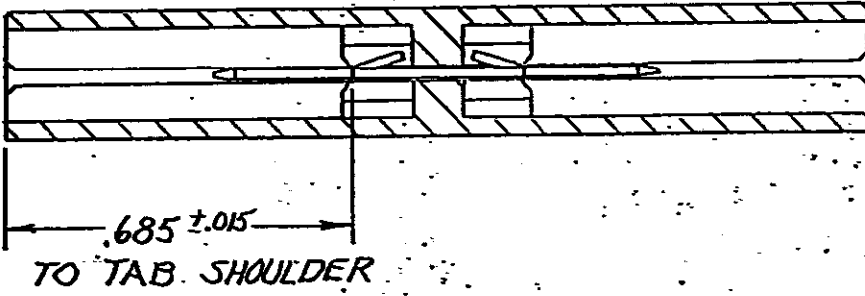


NUMBER 360035



PART NO.
360035-1



DIMENSIONS IN INCHES. DO NOT SCALE PRINT.

Unpublished copy not to be reproduced nor published without written permission of AMP Incorporated

©1973 BY AMP INCORPORATED. ALL RIGHTS RESERVED. AMP PRODUCTS COVERED BY PATENTS AND/OR PATENTS PENDING				CUSTOMER COPY REFERENCE ONLY	
MATERIAL AND FINISH				AMP INCORPORATED HARRISBURG, PENNA.	
NYLON NATURAL				AMP	
WIRE — RANGE — INSULATION				CLASS — # —	
— # — — # —				TYPE — # —	
TOLERANCE EXCEPT AS NOTED = .015		SCALE = 1" = 0"		LOC G	NO 360035
NAME "187" SERIES IN-LINE SPLICE ASSEMBLY				REV D	

PRINT. DIS. 14	LTR		REVISION RECORD	ECN	OP	CHK	DATE
	DR	K ESPENSHADE		DE			
	CHK			APP	Edm A. Roberts 2-20-73		