

# TABLE OF CONTENTS

SHEET NO.	SHEET DESCRIPTION
1	NOTES
2	KEY CONFIGURATIONS
3	BLADE SEALED ASSEMBLY
4	SYSTEM PACKAGING
5-9	BOM

NOTES: VALID UNLESS OTHERWISE SPECIFIED

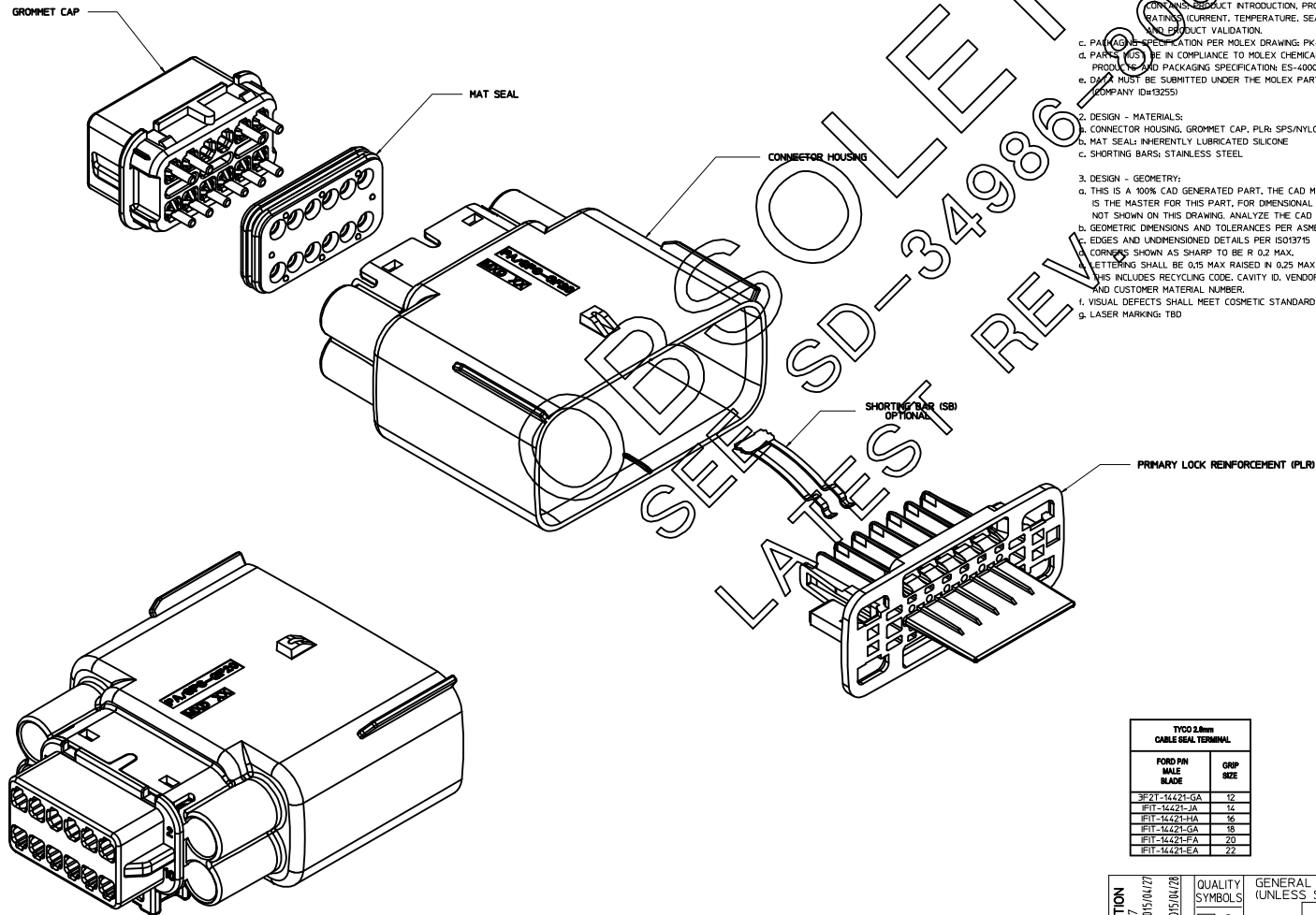
1. GENERAL:  
 a. APPLICATION SPECIFICATION SEE: AS-33472-100  
 CONTAINS: PRODUCT INTRODUCTION, PRODUCT SUMMARY, CONNECTOR ASSEMBLY, PACKAGING INFORMATION, CONNECTOR MATING, SERVICE INSTRUCTIONS, ELECTRICAL CONTINUITY CHECKING, CRIMPING, AND TROUBLESHOOTING.  
 -DESIGNED TO MATE WITH RECEPTACLE SEALED ASSEMBLY SPECIFIED IN MOLEX DRAWING SD-33476-161 AND SD-33476-161 FOR SHORTING BAR APPLICATIONS RECEPTACLE SEALED ASSEMBLY CONFIGURATION MUST CONTAIN A PLR WITH SHORTING BAR LIFTER.  
 -FOR 1.5mm BLADE TERMINALS TO BE USED WITH THE SHORTING BAR CIRCUIT LOCATIONS SEE MOLEX DRAWING SD-31296-001.  
 -SHORTING BAR TERMINALS TO BE USED WITH WIRE WITHIN DIAMETER RANGE OF 1.7mm TO 2.06mm.  
 -SHORTING BAR TERMINAL CRIMP ANGLE MUST BE BETWEEN -14 DEG. AND +3.5 DEG. AFTER INSTALLATION INTO THE CONNECTOR ASSEMBLY, REFER TO MOLEX DRAWING SD-31296-001 FOR DETAILS.  
 -FOR 1.5mm BLADE TERMINALS TO BE USED WITH THE NON-SHORTING BAR CIRCUIT LOCATIONS SEE MOLEX DRAWING SD-33000-004.  
 -NON-SHORTING BAR TERMINALS TO BE USED WITH WIRE WITHIN DIAMETER RANGE OF 1.4mm TO 2.69mm.  
 -FOR 2.8mm BLADE TERMINALS TO BE USED WITH THIS ASSEMBLY SEE TABLE.  
 -2.8mm TERMINALS TO BE USED WITH WIRE WITHIN DIAMETER RANGE OF 1.50mm TO 3.30mm.  
 -ASSEMBLY SHIPPED WITH PLR IN PRE-LOCK POSITION  
 -IN THE EVENT THAT THE PLR IS FOUND IN THE SEATED (FINAL LOCK) POSITION, REFER TO MOLEX SPECIFICATION PS-34666-001, AVAILABLE AT [www.molex.com](http://www.molex.com) OR <http://www.molex.com>  
 -ASSEMBLY CONFORMS TO SAE/USCAR-2 REV.4 WITH THE FOLLOWING EXCEPTIONS:  
 -TERMINAL INSERTION FORCE FOR WIRE DIAMETER ABOVE 2.5mm NOT EXCEEDING 2.69mm SHALL EXCEED 5 NEWTONS.  
 -PLR REMOVAL FROM FINAL-LOCK TO PRE-LOCK SHALL NOT EXCEED 75 NEWTONS.

b. PRODUCT SPECIFICATION SEE: PS-33476-000  
 CONTAINS: PRODUCT INTRODUCTION, PRODUCT SUMMARY, RATINGS (CURRENT, TEMPERATURE, SEALING, AND FLAMMABILITY), AND PRODUCT VALIDATION.

c. PARTS LIST SPECIFICATION PER MOLEX DRAWING PK-31300-514  
 d. PARTS LIST MUST BE IN COMPLIANCE TO MOLEX CHEMICAL SUBSTANCES FOR PRODUCTION AND PACKAGING SPECIFICATION: ES-40000-5016  
 e. DATA MUST BE SUBMITTED UNDER THE MOLEX PART NUMBER TO IMDS (COMPANY ID#13255)

2. DESIGN - MATERIALS:  
 a. CONNECTOR HOUSING, GROMMET CAP, PLR, SPS/NYLON BLEND 20% GLASS FILLED  
 b. MAT SEAL: INHERENTLY LUBRICATED SILICONE  
 c. SHORTING BARS: STAINLESS STEEL

3. DESIGN - GEOMETRY:  
 a. THIS IS A 100% CAD GENERATED PART, THE CAD MATHEMATICAL DATA IS THE MASTER FOR THIS PART, FOR DIMENSIONAL OR ANY INFORMATION NOT SHOWN ON THIS DRAWING, ANALYZE THE CAD MODEL.  
 b. GEOMETRIC DIMENSIONS AND TOLERANCES PER ASME Y14.5M - 1994 EDGES AND UNDERMENSIONED DETAILS PER ISO15715 CORNERS SHOWN AS SHARP TO BE 0.2 MAX.  
 LETTERING SHALL BE 0.15 MAX RAISED IN 0.25 MAX RECESS PAD.  
 THIS INCLUDES RECYCLING CODE, CAVITY ID, VENDOR IDENTIFICATION, AND CUSTOMER MATERIAL NUMBER.  
 f. VISUAL DEFECTS SHALL MEET COSMETIC STANDARD PS-45499-002 (Class B)  
 g. LASER MARKING: TBD

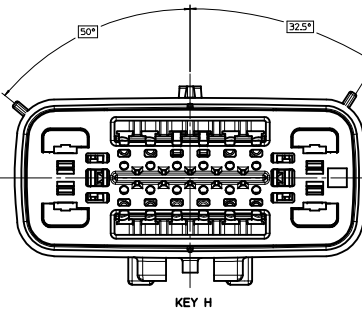
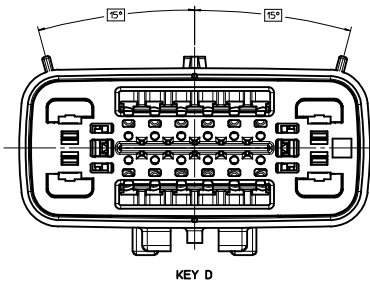
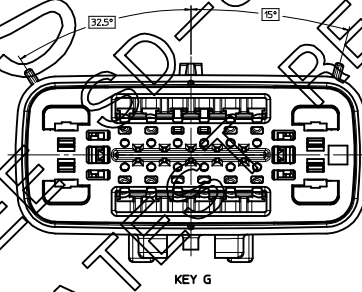
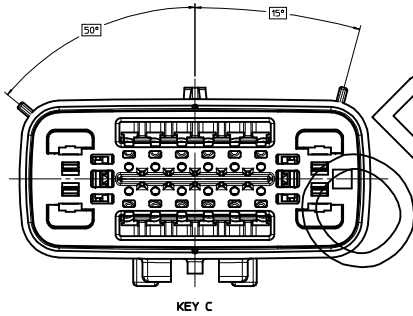
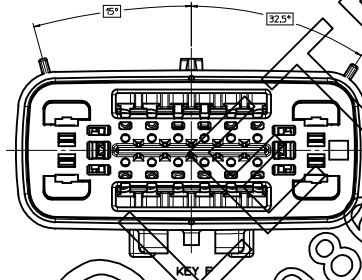
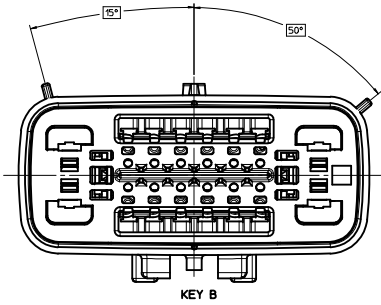
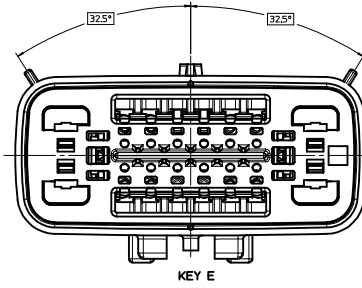
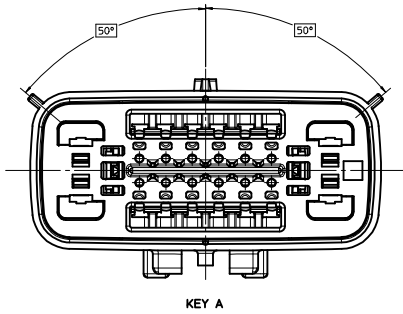


TYCO 2.8mm CABLE SEAL TERMINAL		
FORD P/N	MALE BLADE	GRP SIZE
3P2T-1421-GA	12	
3P2T-1421-NA	14	
3P2T-1421-PA	16	
3P2T-1421-GA	18	
3P2T-1421-PA	20	
3P2T-1421-GA	22	

INSPECTION NUMBER LOG  
 LAST NUMBER USED:  
 ADDED:  
 REMOVED:

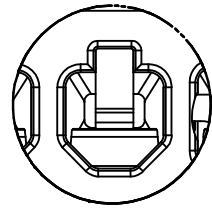
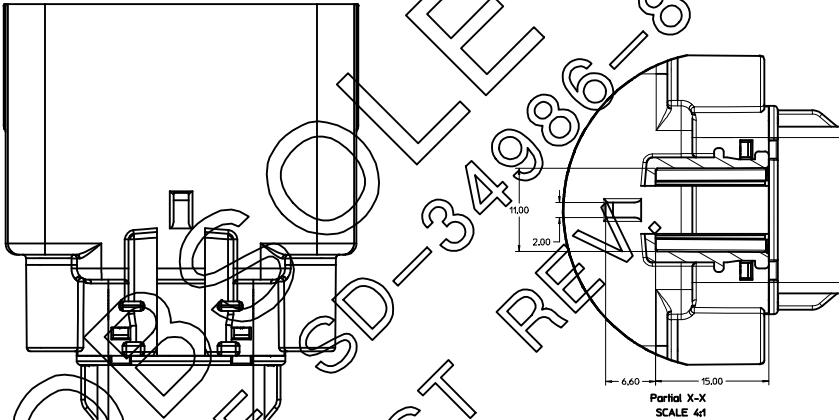
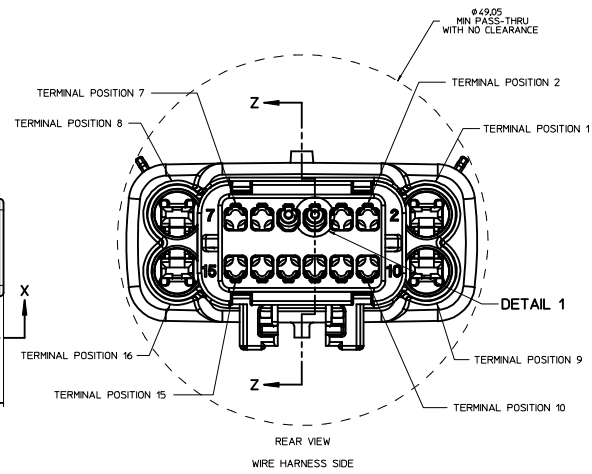
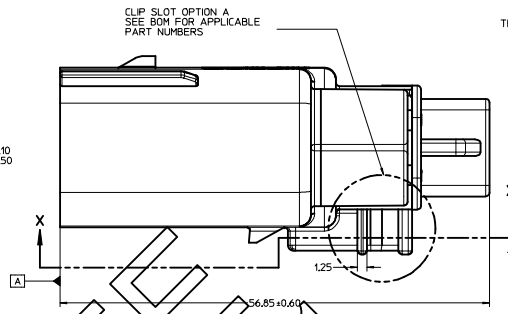
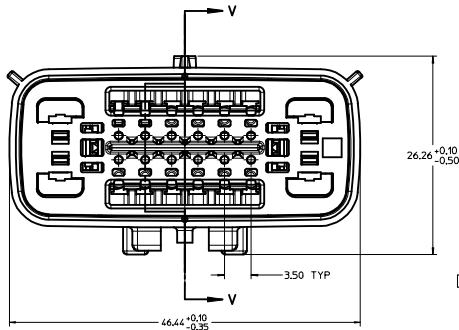
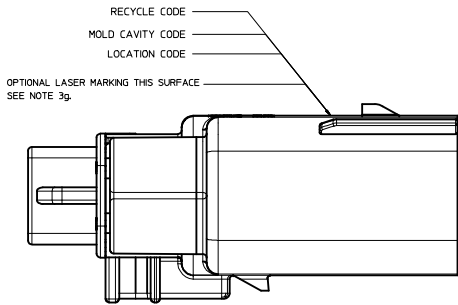
REV	DESCRIPTION
CJ	OBSOLETE DRAWING
CH	ADD NEW P/N 33486-2047 THRU 33486-2103
CG	UPDATED STATUS AND COMMENTS COLUMNS
CF	ADD NEW P/N 33486-2045 33486-2046 33486-2041 33486-2044
CE	ADD NEW P/N 33486-2039 33486-2040 33486-2043 33486-2044
CC	ADD NEW P/N 33486-2036 33486-2037 33486-2043 33486-2044
CB	ADD NEW P/N 33486-2033 33486-2034 33486-2035
CA	RE-FORMATTED BOM TABLES
B23	ADD NEW P/N 33486-2030 33486-2031 33486-2032
B22	ADD NEW P/N 33486-2029
B21	UPDATED DIMENSIONS TO MATCH MODEL
BZ	ADD NEW P/N 33486-2027 33486-2028
BY	ADD NEW P/N 33486-2025 33486-2026 33486-2029
BX	ADD NEW P/N 33486-2019 33486-2020 33486-2021 33486-2022 33486-2023 33486-2024
BW	REWORK

<b>ENTER DESCRIPTION</b> EC NO: JAU2015-167 DRAWING P/N: 2015/01/17 APPROV: WJWSWY DATE: 2015/01/28	QUALITY SYMBOLS 0 PLACES ± 0.10 1 PLACE ± 0.3 2 PLACES ± 0.10 3 PLACES ± 0.10 4 PLACES ± 0.10	GENERAL TOLERANCES (UNLESS SPECIFIED) mm INCH ± 0.10 ± 0.004 ± 0.25 ± 0.010 ± 0.50 ± 0.020	DIMENSION STYLE MM ONLY DRAWN BY: JWSLEY DATE: 06-16-02 CHECKED BY: DGRIFITHS DATE: 07-09-02 APPROVED BY: WKOSHY DATE: 2010/12/08	DESIGN UNITS 4:1 METRIC THIRD ANGLE PROJECTION
	DRAFT WHERE APPLICABLE WITHIN DIMENSIONS			MATERIAL NO. SEE BOM
	DOCUMENT NO. SD-33486-161			SHEET NO. 9 OF 9
	THIS DRAWING CONTAINS INFORMATION THAT IS PROPRIETARY TO MOLEX, INCORPORATED AND SHOULD NOT BE USED WITHOUT WRITTEN PERMISSION			

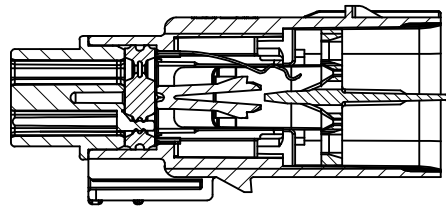


BSO 34986-8001,  
 LATEST REV.

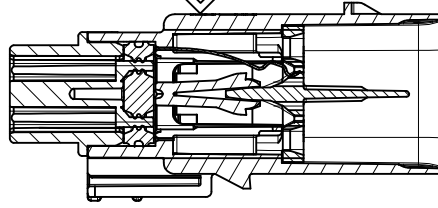
<b>ENTER DESCRIPTION</b> EC NO: UAU205-467 DRAWN BY: JMW APPR: WOSHY DATE: 2015/04/28	QUALITY SYMBOLS ▽=0 ▽=1 ▽=2	GENERAL TOLERANCES (UNLESS SPECIFIED) mm INCH 4 PLACES ± --- ± --- 3 PLACES ± --- ± --- 2 PLACES ± 0.10 ± --- 1 PLACE ± 0.3 ± --- 0 PLACE ± ±	DIMENSION STYLE MM ONLY	SCALE 4:1	DESIGN UNITS METRIC	THIRD ANGLE PROJECTION
	ANGLAR ± 3 °	DRAFT WHERE APPLICABLE MUST REMAIN WITHIN DIMENSIONS	DRAWN BY: JMWESLEY DATE: 06-16-02 CHECKED BY: DGRIFITHS DATE: 07-09-02 APPROVED BY: WKOSHY DATE: 2010/12/08	MATERIAL NO. SEE BOM	DOCUMENT NO. SD-33486-161	SHEET NO. 2 OF 9
	<b>MX150 16 WAY HYBRID BLADE SEALED ASSEMBLY</b>					
	<b>molex</b>					
THIS DRAWING CONTAINS INFORMATION THAT IS PROPRIETARY TO MOLEX INCORPORATED AND SHOULD NOT BE USED WITHOUT WRITTEN PERMISSION						



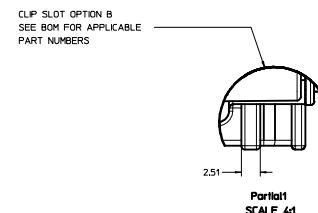
SHORTING BAR (SB) CIRCUITS ARE IDENTIFIED BY THE GROMMET CAP OPENING FEATURE SHOWN ABOVE.  
**DETAIL 1**  
SCALE 20:1



PRIMARY LOCK REINFORCEMENT (PLR) SHOWN IN PRE-STAGED POSITION  
**SECTION Z-Z**



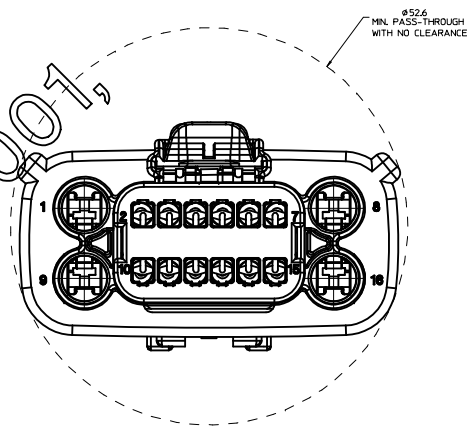
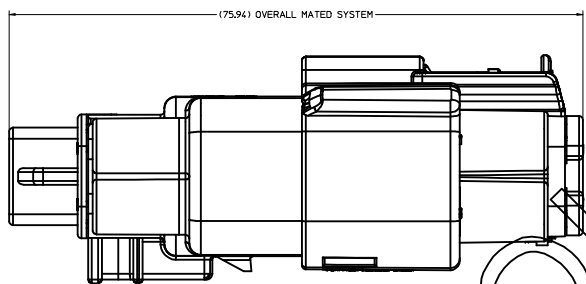
PRIMARY LOCK REINFORCEMENT (PLR) SHOWN IN FINAL-LOCK POSITION  
**SECTION V-V**



CLIP SLOT OPTION B  
SEE BOM FOR APPLICABLE PART NUMBERS  
**Partial 4:1**  
SCALE 4:1

SEE LATEST REV. SD-34986-8001

<b>ENTER DESCRIPTION</b> EC NO. UAU2015-167 DRAWING/REVIT 2015/04/27 APPR. WOSNY REV. 2015/04/28	QUALITY SYMBOLS ▽=0 ▽=0 ▽=0	GENERAL TOLERANCES (UNLESS SPECIFIED) <table border="1"> <tr> <th></th> <th>mm</th> <th>INCH</th> </tr> <tr> <td>4 PLACES</td> <td>± 0.10</td> <td>± 0.004</td> </tr> <tr> <td>3 PLACES</td> <td>± 0.15</td> <td>± 0.005</td> </tr> <tr> <td>2 PLACES</td> <td>± 0.20</td> <td>± 0.008</td> </tr> <tr> <td>1 PLACE</td> <td>± 0.3</td> <td>± 0.012</td> </tr> <tr> <td>0 PLACE</td> <td>± 0.4</td> <td>± 0.016</td> </tr> </table>		mm	INCH	4 PLACES	± 0.10	± 0.004	3 PLACES	± 0.15	± 0.005	2 PLACES	± 0.20	± 0.008	1 PLACE	± 0.3	± 0.012	0 PLACE	± 0.4	± 0.016	DIMENSION STYLE MM ONLY DRAWN BY JWESLEY DATE 06-16-02 CHECKED BY DATE DGRIFITHS 07-09-02 APPROVED BY DATE WKOSHY 2010/12/08	SCALE 4:1 DESIGN UNITS METRIC THIRD ANGLE PROJECTION	SHEET NO. 3 OF 9
		mm	INCH																				
	4 PLACES	± 0.10	± 0.004																				
	3 PLACES	± 0.15	± 0.005																				
2 PLACES	± 0.20	± 0.008																					
1 PLACE	± 0.3	± 0.012																					
0 PLACE	± 0.4	± 0.016																					
DRAFT WHERE APPLICABLE MUST REMAIN WITHIN DIMENSIONS	MATERIAL NO. SD-33486-161 DOCUMENT NO. SD-33486-161	THIS DRAWING CONTAINS INFORMATION THAT IS PROPRIETARY TO MOLEX INCORPORATED AND SHOULD NOT BE USED WITHOUT WRITTEN PERMISSION																					
<b>molex</b>																							
Ib_frame_E_P_AM_T Rev. G 2012/01/11																							



OBSOLETE  
SEE SD-34986-8001  
LATEST REV.

<b>ENTER DESCRIPTION</b> EC NO: UAU205-167 DRAWN BY: TTT 2015/04/27 APPR: WOSHY 2015/04/28 REV:	QUALITY SYMBOLS ▽=0 ▽=0 ▽=0	GENERAL TOLERANCES (UNLESS SPECIFIED) <table border="1"> <thead> <tr> <th></th> <th>mm</th> <th>INCH</th> </tr> </thead> <tbody> <tr> <td>4 PLACES</td> <td>± 0.10</td> <td>± 0.004</td> </tr> <tr> <td>3 PLACES</td> <td>± 0.15</td> <td>± 0.006</td> </tr> <tr> <td>2 PLACES</td> <td>± 0.30</td> <td>± 0.012</td> </tr> <tr> <td>1 PLACE</td> <td>± 0.50</td> <td>± 0.020</td> </tr> <tr> <td>0 PLACE</td> <td>± 0.75</td> <td>± 0.030</td> </tr> </tbody> </table>		mm	INCH	4 PLACES	± 0.10	± 0.004	3 PLACES	± 0.15	± 0.006	2 PLACES	± 0.30	± 0.012	1 PLACE	± 0.50	± 0.020	0 PLACE	± 0.75	± 0.030	DIMENSION STYLE <b>MM ONLY</b>	SCALE <b>4:1</b>	DESIGN UNITS <b>METRIC</b>	THIRD ANGLE PROJECTION
		mm	INCH																					
	4 PLACES	± 0.10	± 0.004																					
	3 PLACES	± 0.15	± 0.006																					
2 PLACES	± 0.30	± 0.012																						
1 PLACE	± 0.50	± 0.020																						
0 PLACE	± 0.75	± 0.030																						
DRAWN BY: JWESLEY 06-16-02 CHECKED BY: DGRIFITHS 07-09-02 APPROVED BY: WKOSHY 2010/12/08	MATERIAL NO. <b>SEE BOM</b>	DOCUMENT NO. <b>SD-33486-161</b>	SHEET NO. <b>4 OF 9</b>																					
DRAFT WHERE APPLICABLE MUST REMAIN WITHIN DIMENSIONS	THIS DRAWING CONTAINS INFORMATION THAT IS PROPRIETARY TO MOLEX INCORPORATED AND SHOULD NOT BE USED WITHOUT WRITTEN PERMISSION																							





Main BOM table with columns for Part Number, Description, Material, and various assembly options (A, B, C, D, E, F, G, H).

PLANNED OBSOLESCENCE  
SER DRAWING SD-34986-8001  
FOR REPLACEMENT P/N

NEW SERIES NUMBER IS 34986  
LINE NUMBER

SD-34986-8001  
REV. 01  
WJESLEY

ASSEMBLY PART NUMBER table with columns A through S and descriptions for various assembly options.

STATUS COMMENTS

BLOCKED TERMINAL  
CAVITY WITH AN "X" INDICATES BLOCKED TERMINAL POSITION  
CAVITY WITHOUT AN "X" INDICATES OPEN TERMINAL POSITION  
CAVITY WITH AN "SB" INDICATES SHORTING BAR CAVITY

Component table with columns for Description, Color, Material, and Clip/Slot Type.

TABLE LEGEND table mapping abbreviations (A-S) to component names (HOUSING KEY A-H, STANDARD GROMMET CAP, SHORTING BAR).

ENTER DESCRIPTION, QUALITY SYMBOLS, GENERAL TOLERANCES, DIMENSION STYLE, SCALE, DESIGN UNITS, THIRD ANGLE PROJECTION, DATE, DRAWN BY, CHECKED BY, APPROVED BY, MATERIAL NO., DOCUMENT NO., SHEET NO.





KEY	DESCRIPTION	ASSEMBLY PART NUMBER	QTY	STATUS	COMMENTS
KEY H, YELLOW	33486-2103	A			
KEY A, BLACK	33486-2102	A			
KEY A, BLACK	33486-2101	A			
KEY B, LIGHT GRAY	33486-2100	B			
KEY A, YELLOW	33486-2099	A			
KEY A, YELLOW	33486-2098	A			
KEY A, BLACK	33486-2097	A			
KEY A, BLACK	33486-2096	A			
KEY A, BLACK	33486-2095	A			
KEY A, BLACK	33486-2094	A			
KEY A, BLACK	33486-2093	A			
KEY B, LIGHT GRAY	33486-2092	B			
KEY B, LIGHT GRAY	33486-2091	B			
KEY A, BLACK	33486-2090	A			
KEY A, BLACK	33486-2089	A			
KEY A, BLACK	33486-2088	A			
KEY B, LIGHT GRAY	33486-2087	B			
KEY A, BLACK	33486-2086	A			
KEY A, BLACK	33486-2085	A			
KEY A, BLACK	33486-2084	A			
KEY A, BLACK	33486-2083	A			
KEY A, BLACK	33486-2082	A			
KEY A, BLACK	33486-2081	A			
KEY B, LIGHT GRAY	33486-2080	B			
KEY B, LIGHT GRAY	33486-2079	B			
KEY A, BLACK	33486-2078	A			
KEY A, BLACK	33486-2077	A			
KEY A, BLACK	33486-2076	A			
KEY A, BLACK	33486-2075	A			
KEY F, W/ SB, LIGHT GRAY	33486-2074	F			
KEY F, W/ SB, LIGHT GRAY	33486-2073	F			
KEY A, BLACK	33486-2072	A			
KEY A, BLACK	33486-2071	A			
KEY A, BLACK	33486-2070	A			
KEY A, BLACK	33486-2069	A			
KEY A, BLACK	33486-2068	A			
KEY A, BLACK	33486-2067	A			
KEY F, W/ SB, LIGHT GRAY	33486-2066	F			
KEY F, LIGHT GRAY	33486-2065	F			
KEY A, BLACK	33486-2064	A			
KEY F, W/ SB, LIGHT GRAY	33486-2063	F			
KEY F, W/ SB, LIGHT GRAY	33486-2062	F			
KEY A, BLACK	33486-2061	A			
KEY A, BLACK	33486-2060	A			
KEY B, LIGHT GRAY	33486-2059	B			
KEY B, LIGHT GRAY	33486-2058	B			
KEY A, BLACK	33486-2057	A			
KEY A, BLACK	33486-2056	A			
KEY A, BLACK	33486-2055	A			
KEY A, BLACK	33486-2054	A			
KEY A, BLACK	33486-2053	A			
KEY A, BLACK	33486-2052	A			
KEY A, BLACK	33486-2051	A			
KEY A, BLACK	33486-2050	A			
KEY A, BLACK	33486-2049	A			
KEY A, BLACK	33486-2048	A			
KEY A, BLACK	33486-2047	A			
KEY F, W/ SB, LIGHT GRAY	33486-2046	F			
KEY F, LIGHT GRAY	33486-2045	F			
KEY A, BLACK	33486-2044	A			
KEY A, BLACK	33486-2043	A			
KEY A, BLACK	33486-2042	A			
KEY A, BLACK	33486-2041	A			
KEY A, BLACK	33486-2040	A			
KEY A, BLACK	33486-2039	A			
KEY A, BLACK	33486-2037	A			
KEY A, BLACK	33486-2036	A			
KEY A, BLACK	33486-2035	A			
KEY A, BLACK	33486-2034	A			
KEY A, BLACK	33486-2033	A			
KEY B, LIGHT GRAY	33486-2032	B			
KEY B, LIGHT GRAY	33486-2031	B			
KEY B, LIGHT GRAY	33486-2030	B			
KEY A, BLACK	33486-2029	A			
KEY A, BLACK	33486-2028	A			
KEY A, BLACK	33486-2027	A			
KEY A, BLACK	33486-2026	A			
KEY A, BLACK	33486-2025	A			
KEY A, BLACK	33486-2024	A			
KEY A, BLACK	33486-2023	A			
KEY A, BLACK	33486-2022	A			
KEY A, BLACK	33486-2021	A			
KEY A, BLACK	33486-2020	A			
KEY A, BLACK	33486-2019	A			
KEY A, BLACK	33486-2018	A			
KEY B, LIGHT GRAY	33486-2017	B			
KEY B, LIGHT GRAY	33486-2016	B			
KEY B, LIGHT GRAY	33486-2015	B			
KEY A, BLACK	33486-2014	A			
KEY B, LIGHT GRAY	33486-2013	B			
KEY A, BLACK	33486-2012	A			
KEY A, BLACK	33486-2011	A			
KEY H, YELLOW	33486-2010	H			

PLANNED OBSOLESCENCE  
SEE DRAWING SD-34986-8001  
FOR REPLACEMENT P/N

NEW SERIES NUMBER IS 34986  
SAME SUFFIX

REPLACEMENT PART  
SEE DRAWING SD-34986-8001  
REV. 01

ABBREVIATION	COMPONENT
A	HOUSING KEY A
B	HOUSING KEY B
C	HOUSING KEY C
D	HOUSING KEY D
E	HOUSING KEY E
F	HOUSING KEY F
G	HOUSING KEY G
H	HOUSING KEY H
GCS	STANDARD GROMMET CAP
SB	SHORTING BAR

CAVITY WITH AN "X" INDICATES BLOCKED TERMINAL POSITION  
CAVITY WITHOUT AN "X" INDICATES OPEN TERMINAL POSITION  
CAVITY WITH AN "SB" INDICATES SHORTING BAR CAVITY

PLR	NATURAL	SPS/NYLON GF20
MAT SEAL	ROYAL BLUE	INHERENTLY LUBRICATED SILICONE
SHORTING BAR	GOLD PL	30100 STAINLESS STEEL
SHORTING BAR GROMMET CAP 5	BLACK	SPS/NYLON GF20
SHORTING BAR GROMMET CAP 1	BLACK	SPS/NYLON GF20
SHORTING BAR GROMMET CAP 3	BLACK	SPS/NYLON GF20
SHORTING BAR GROMMET CAP 2	BLACK	SPS/NYLON GF20
SHORTING BAR GROMMET CAP 1	BLACK	SPS/NYLON GF20
STANDARD GROMMET CAP	BLACK	SPS/NYLON GF20
HOUSING KEYING OPTION D	ST GRAY	SPS/NYLON GF20
HOUSING KEYING OPTION C	DARK GRAY	SPS/NYLON GF20
HOUSING KEYING OPTION A	YELLOW	SPS/NYLON GF20
HOUSING KEYING OPTION H	YELLOW	SPS/NYLON GF20
HOUSING KEYING OPTION G	BROWN	SPS/NYLON GF20
HOUSING KEYING OPTION E	LIGHT GRAY	SPS/NYLON GF20
HOUSING KEYING OPTION F	BLACK	SPS/NYLON GF20
HOUSING KEYING OPTION D	GREEN	SPS/NYLON GF20
HOUSING KEYING OPTION C	BROWN	SPS/NYLON GF20
HOUSING KEYING OPTION B	LIGHT GRAY	SPS/NYLON GF20
HOUSING KEYING OPTION A	BLACK	SPS/NYLON GF20

<b>ENTER DESCRIPTION</b> EC NO: 040205-607 DRAWN BY: JMW CHECKED BY: JMW APPROVED BY: JMW DATE: 2015/04/27 REV: 01	QUALITY SYMBOLS 0.05 0.1 0.2	GENERAL TOLERANCES (UNLESS SPECIFIED) mm INCH 4 PLACES ± 0.15 ± 0.006 3 PLACES ± 0.10 ± 0.004 2 PLACES ± 0.10 ± 0.004 1 PLACE ± 0.3 ± 0.012 0 PLACE ± 0.3 ± 0.012	DIMENSION STYLE <b>MM ONLY</b> DRAWN BY: JMW DATE: 06-16-02 CHECKED BY: JMW DATE: 07-09-02 APPROVED BY: JMW DATE: 2010/12/08	SCALE <b>2:1</b> DESIGN UNITS <b>METRIC</b> THIRD ANGLE PROJECTION	MATERIAL NO. <b>SD-33486-161</b> DOCUMENT NO.	SHEET NO. <b>9 OF 9</b>
	DRAFT WHERE APPLICABLE MUST REMAIN WITHIN DIMENSIONS					
	THIS DRAWING CONTAINS INFORMATION THAT IS PROPRIETARY TO MOLEX INCORPORATED AND SHOULD NOT BE USED WITHOUT WRITTEN PERMISSION					
	MOLEX					