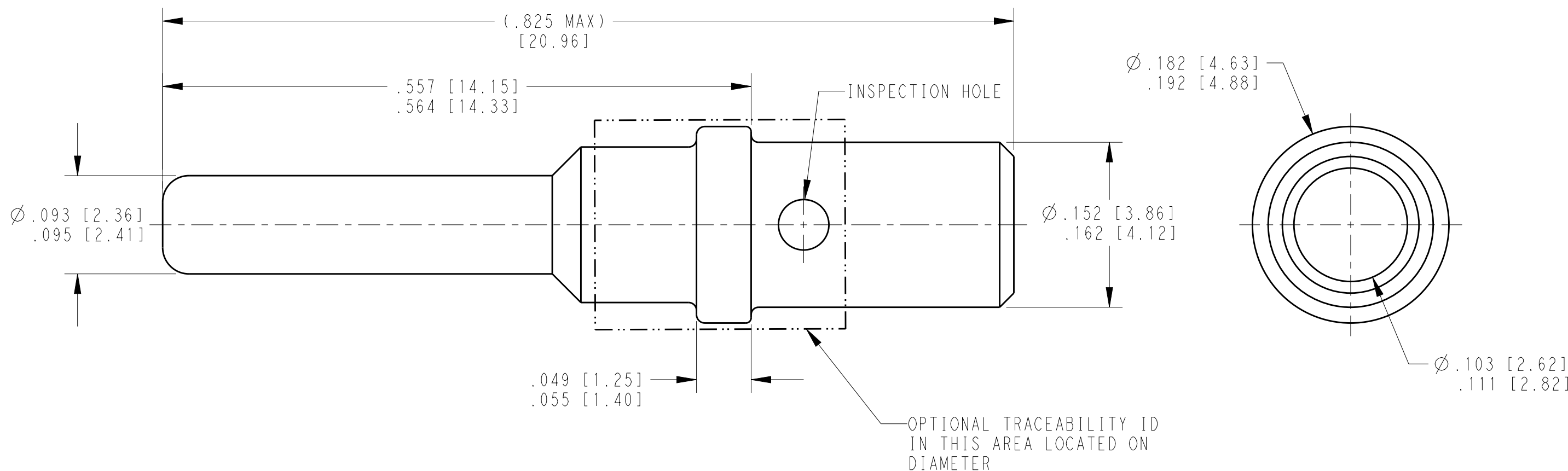


REVISIONS

P	LTR	DESCRIPTION	DATE	DWN	APVD
	NC	NEW RELEASE PER E.O. 1399	12APR1984		JA
	A	REDRAWN PER E.O. A13367	16MAR1993		JA
	B	REVISED AND REDRAWN PER EO P18855	14MAR2005	JA	RDR
	C	REVISED PER PCN E-18-001206	24JAN2018	JA	DM



TE INTERNAL PN	DEUTSCH PN	PLATING
0460-220-1231	0460-220-1231	GOLD

THIS DRAWING IS A CONTROLLED DOCUMENT.		DWN J. APOSTOL 04MAR2005												
DIMENSIONS: INCHES [mm]		CHK B. BYFORD 14MAR2005												
TOLERANCES UNLESS OTHERWISE SPECIFIED:		APVD R. REED 14MAR2005												
<table border="0"> <tr><td>0 PLC</td><td>±</td></tr> <tr><td>1 PLC</td><td>±</td></tr> <tr><td>2 PLC</td><td>±</td></tr> <tr><td>3 PLC</td><td>±</td></tr> <tr><td>4 PLC</td><td>±</td></tr> <tr><td>ANGLES</td><td>±</td></tr> </table>		0 PLC			±	1 PLC	±	2 PLC	±	3 PLC	±	4 PLC	±	ANGLES
0 PLC	±													
1 PLC	±													
2 PLC	±													
3 PLC	±													
4 PLC	±													
ANGLES	±													
MATERIAL	FINISH	APPLICATION SPEC 0425-205-0000	NAME CONTACT PIN SIZE 12	RESTRICTED TO -										
		WEIGHT	SIZE A3	CAGE CODE 4AFU8										
		CUSTOMER DRAWING	DRAWING NO 0460-220-12XX											
			SCALE 10:1	SHEET 1 OF 1										
				REV C										

NOTES:
1. WIRE RANGE : 14 AWG TO 12 AWG [2.0 - 3.0 mm²].