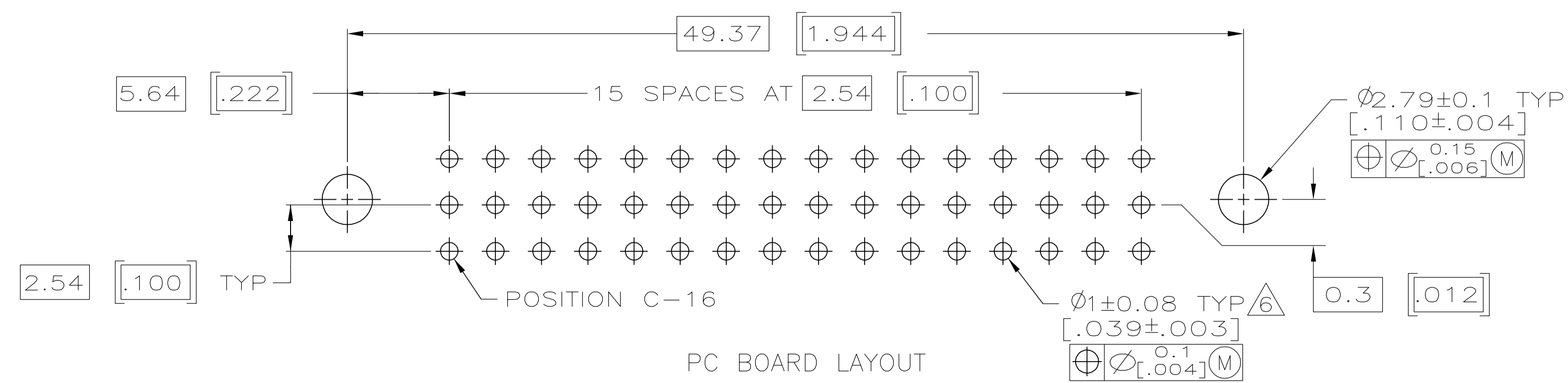
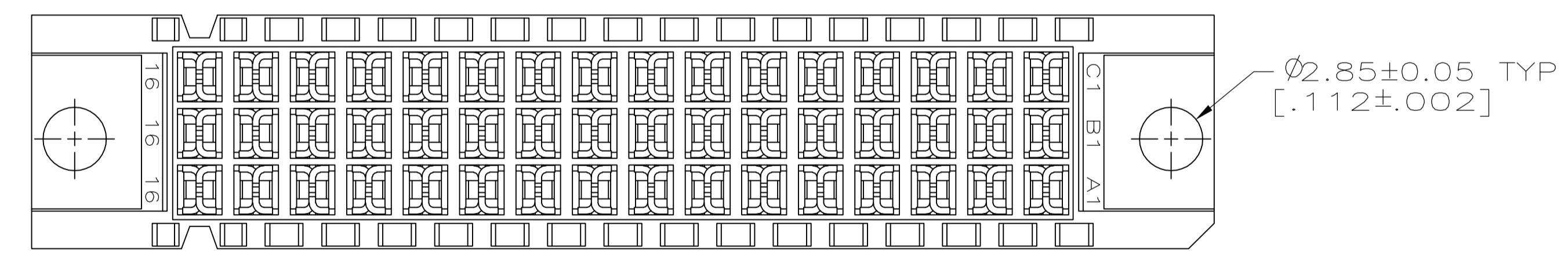
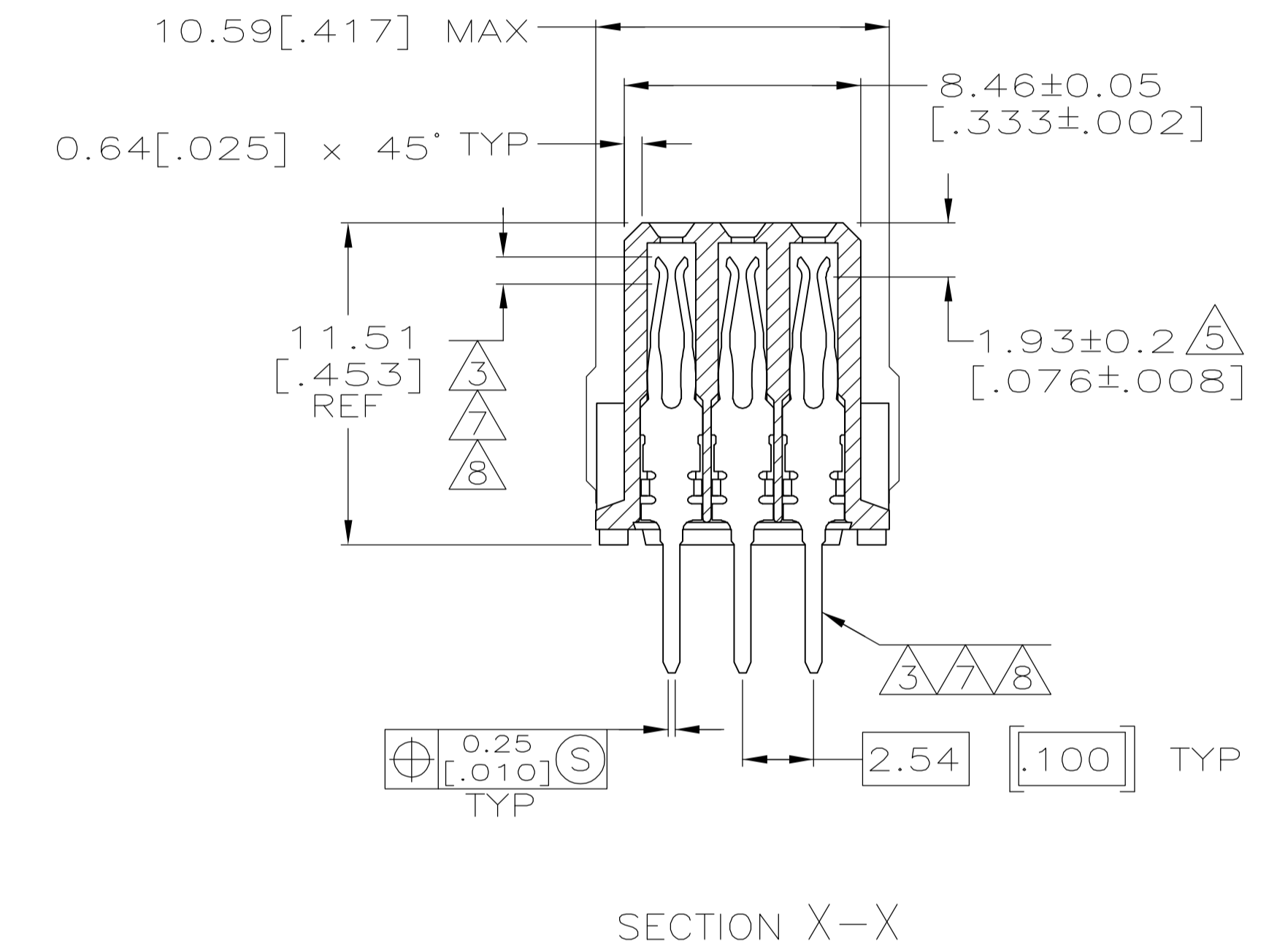
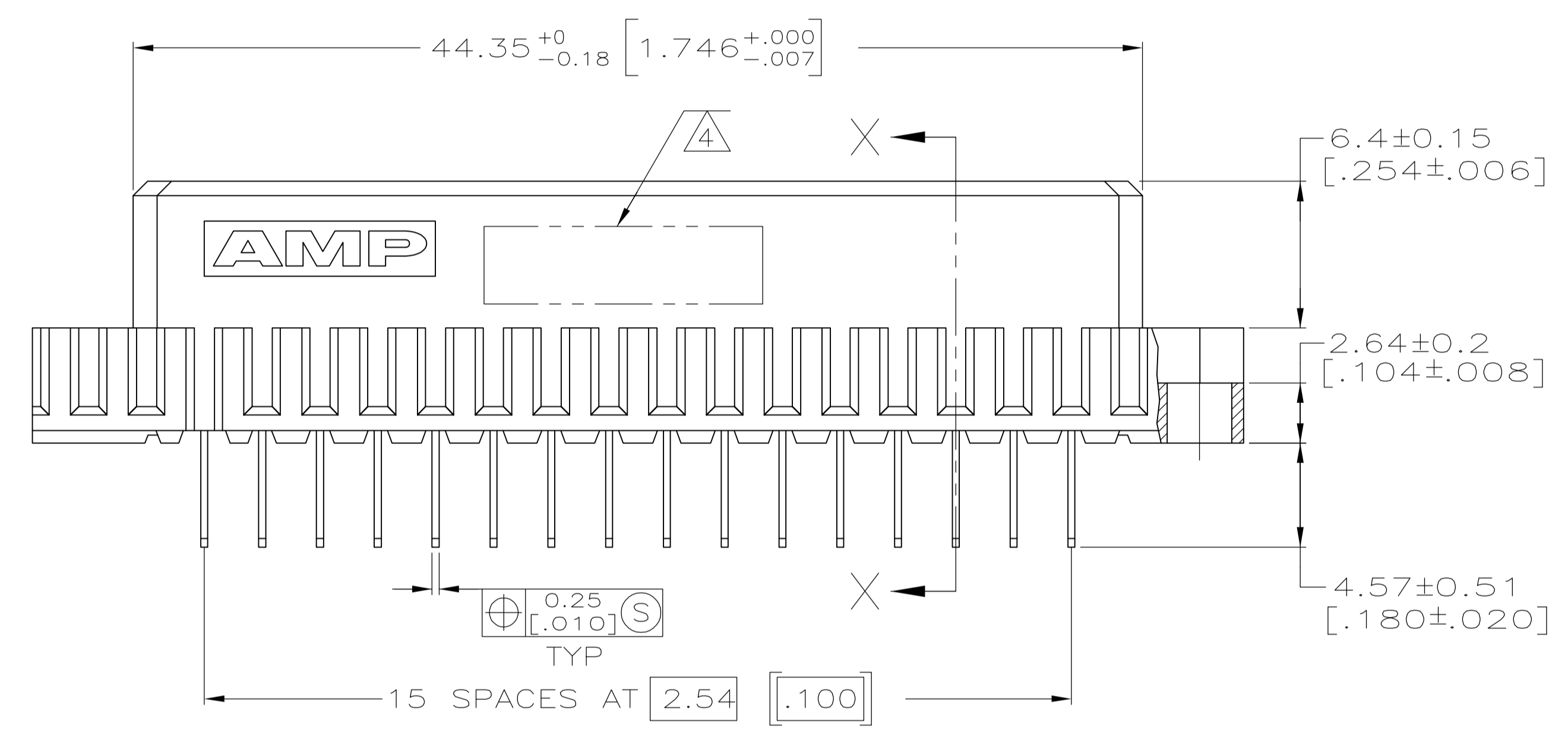


- 1 HOUSING MATERIAL: GLASS-FILLED POLYESTER. COLOR: GRAY.
- 2 CONTACT MATERIAL: PHOSPHOR BRONZE.
- 3 CONTACT FINISH: 0.00076 [.000030] GOLD IN CONTACT AREA. 0.00127 [.000050] NICKEL UNDERPLATE ALL OVER. TIN-LEAD ON POSTS.
- 4 PART NUMBER, DATE CODE IDENTIFICATION, CSA LOGO IN THIS APPROXIMATE AREA, ON REVERSE SIDE.
- 5 POINT OF MEASUREMENT FOR GOLD.
- 6 RECOMMENDED HOLE SIZE FOR MANUAL APPLICATION OF CONNECTOR ONTO PC BOARD.
- 7 CONTACT FINISH: DIN 41612 CLASS 3 IN CONTACT AREA. TIN-LEAD ON POSTS.
- 8 CONTACT FINISH: DIN 41612 CLASS 2 IN CONTACT AREA. TIN-LEAD ON POSTS.



OBSELETE	1 THRU 16	X	X	X	48	535071-9
	1 THRU 16	X	X	X	48	535071-5
	1 THRU 16	X	X	X	48	535071-4
NOTES	POSITIONS LOADED	C	B	A	NO. OF LOADED POSITION	ASSY PART NUMBER

THIS DRAWING IS A CONTROLLED DOCUMENT.		DWN	L. BRINER	5/8/89	Tyco Electronics Corporation Harrisburg, PA 17105-3608	
DIMENSIONS: mm [INCHES]		CHK	J. BROWN	5/15/89		
TOLERANCES UNLESS OTHERWISE SPECIFIED:		APVD	J. BROWN	5/15/89	NAME	RECEPTACLE ASSEMBLY, EUROCARD, TYPE C
0 PLC	± -	APPLICATION SPEC		SIZE	CAGE CODE	DRAWING NO
1 PLC	± -	PRODUCT SPEC		WEIGHT	A1	00779
2 PLC	± -	MATERIAL		SCALE	4:1	SHEET 1 OF 1
3 PLC	± 0.13 [.005]	FINISH		REV	J	
4 PLC	± -	CUSTOMER DRAWING				
ANGLES	± -					