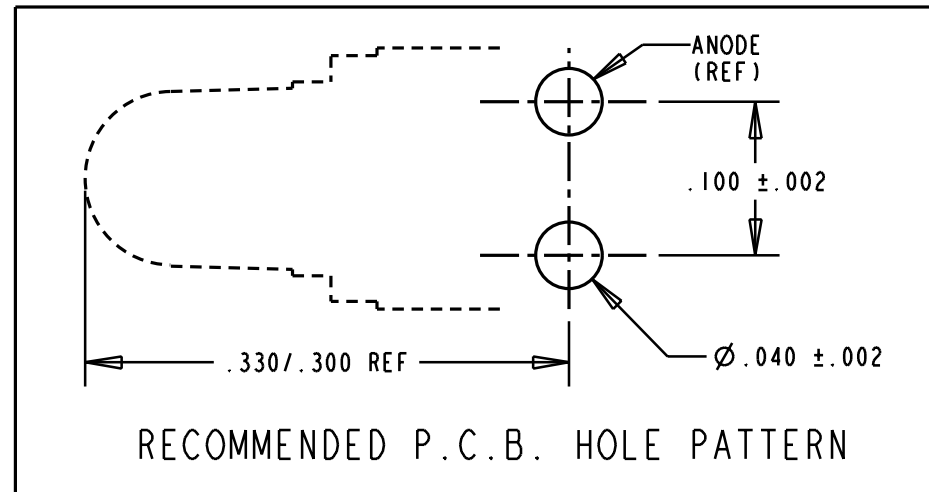


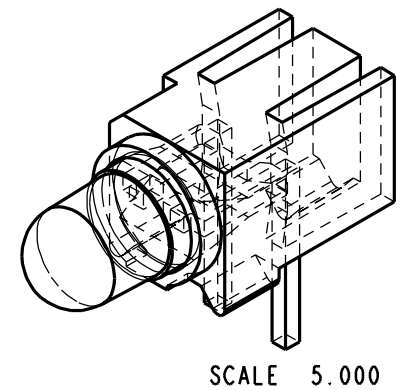
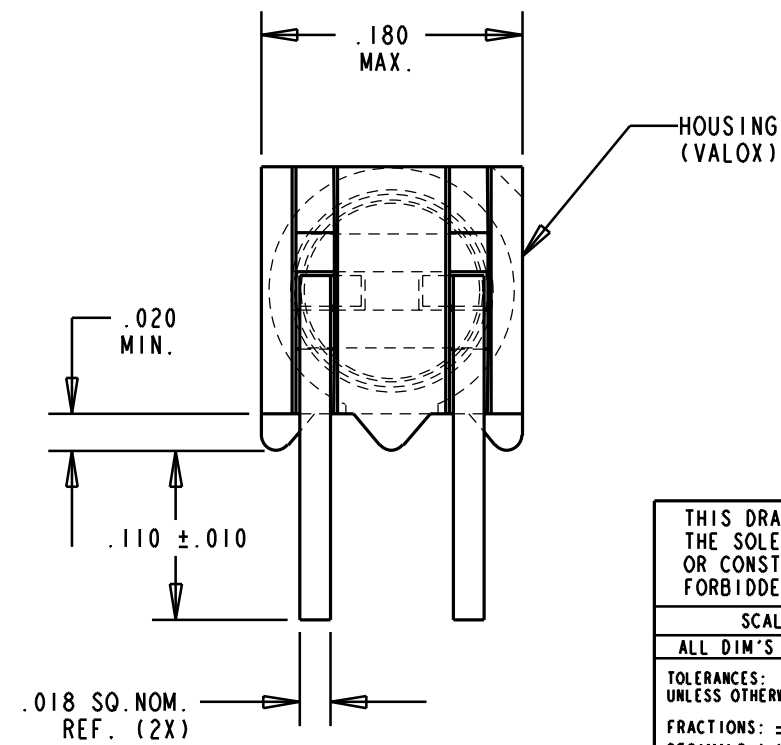
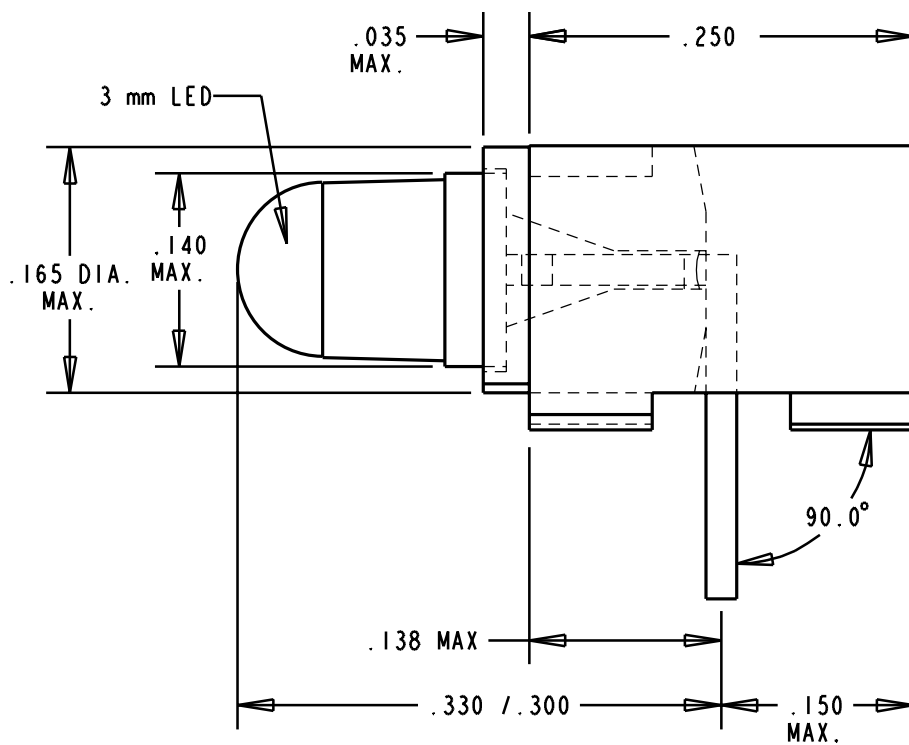
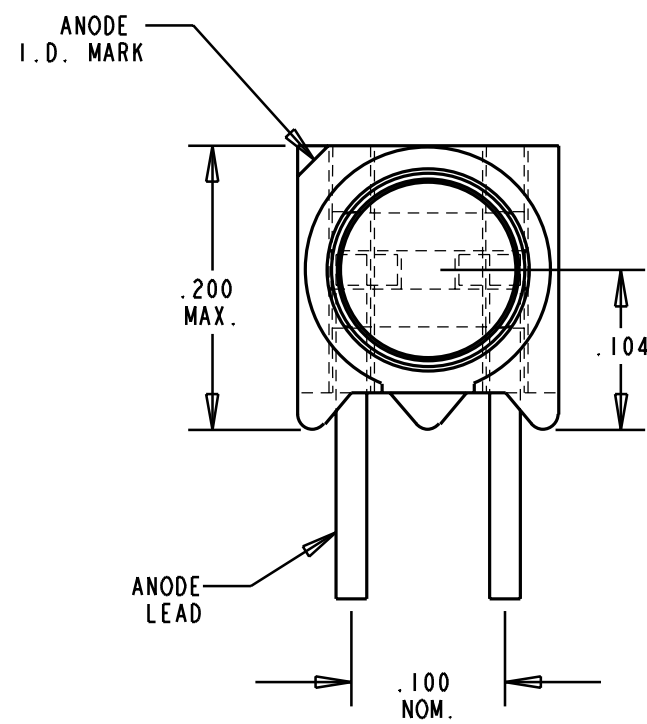
ASS'Y NO.	LIST NO.	COMCODE	LED COLOR	I _v (MIN.)	V _F (MAX.)	λ PEAK (nm)	I _R (MAX.) 5VDC	TEST COND.
551-0001-880	14	407527415	RED	2.0 mcd	3.0 V	635	100 μA	I _F = 10 mA
551-0001-881	15	407527431	YELLOW	2.0 mcd	3.0 V	585	100 μA	I _F = 10 mA
551-0001-882	16	407527449	GREEN	1.0 mcd	3.0 V	565	100 μA	I _F = 10 mA

REV.	ECN NO.	REVISIONS	DRN.	CKD.	APP.	DATE
B	—	ADDED COMCODE FOR EACH P/N, CHANGED AT&T TO LUCENT TECHNOLOGIES, NOTE 1 (REF. DWG. #L-73924 TO #L-739839) REMOVED HOUSING MAT'L; ADDED RECOMMENDED P.C.B. HOLE PATTERN, NOTE 3 AND 4, MODEL AND TITLE. REDRAWN TO PRO-E.	DC			



NOTES :

- PART MUST MEET LUCENT TECHNOLOGIES SPEC. WP-90931 L14, L15, L16 (REF. LUCENT TECHNOLOGIES DWG #L-739839).
- LED MUST MEET LUCENT TECHNOLOGIES SPEC. WP-90913 LIST #1 (RED), LIST #2 (YELLOW) AND LIST #3 (GREEN).
- PACKAGE - 500 PIECES IN ANTISTATIC ZIP LOCK BAG. APPLY DIALIGHT LABEL WITH DIALIGHT P/N, DATE CODE, LED LOT #, QTY/BAG, COMCODE # "407527415 DIO WP90931L14" FOR -880; "407527431 DIO WP90931L15" FOR -881 AND "407527449 DIO WP90931L16" FOR -882.
- DIALIGHT PART NO. 551-0001-880, 551-0001-881, 551-0001-882.



THIS DRAWING AND THE CONTENTS HEREIN ARE CONFIDENTIAL AND THE SOLE PROPERTY OF DIALIGHT. REPRODUCTION OF THIS DRAWING OR CONSTRUCTION OF ANY PARTS WITHIN THIS DRAWING ARE FORBIDDEN WITHOUT THE WRITTEN CONSENT OF DIALIGHT.		
SCALE 8:1	DRAWING NUMBER	REV
ALL DIM'S IN: INCHES	C-16074	B
TOLERANCES: UNLESS OTHERWISE SPECIFIED	TITLE	
FRACTIONS: ±1/64	3mm LED CBI	
DECIMALS (.XX): ±.020	MATERIAL	
DECIMALS (.XXX): ±.015	Dialight	
ANGLES: ±3°	1913 ATLANTIC AVE. MANASQUAN, N.J. 08736	
FINISH:	SHEET	OF
FSCM 83330	FAMILY TABLE:	