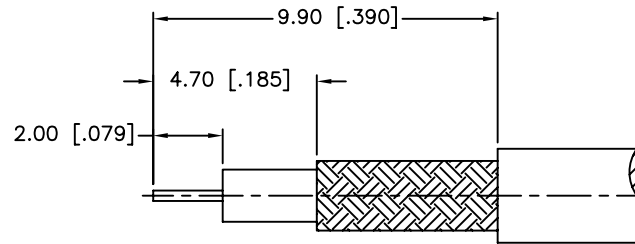
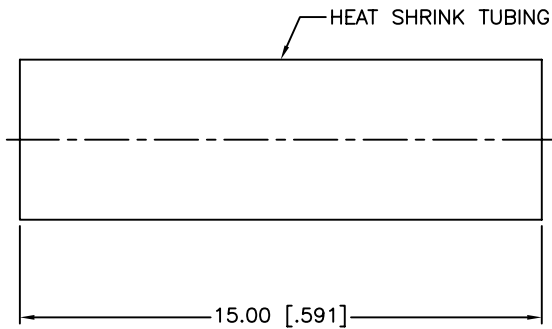
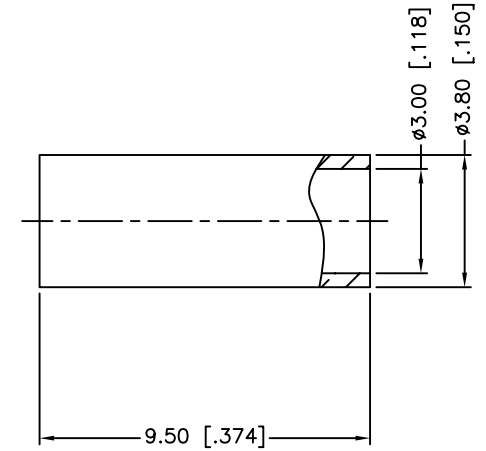
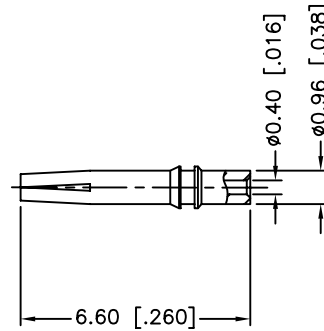
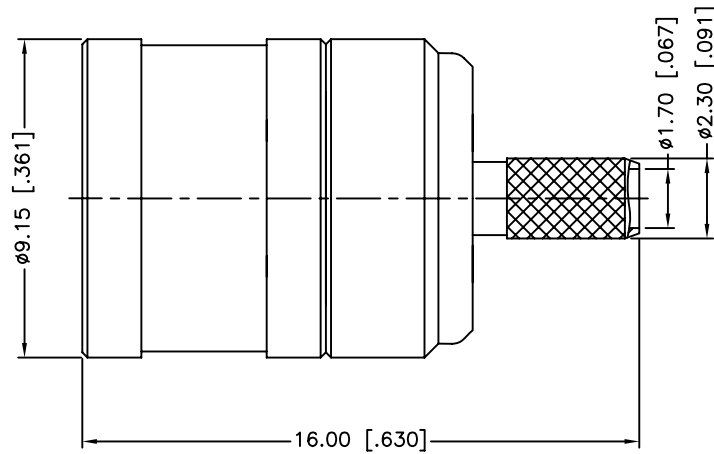


REV.	DATE	ECR NO.	DESCRIPTION
NC	05/13/11	XXXXXX	INITIAL RELEASE



RECOMMENDED  
CABLE STRIPPING DIM'S

1. CRIMPED FERRULE  
HEX CRIMP SIZE .128"
2. CONTACT PIN TO SOLDER

DESCRIPTION	MATERIAL	FINISH	QTY
8	HEAT SHRINK TUBING	BLACK	1
7	FERRULE	COPPER	NICKEL
6	CONTACT PIN	BURYLLIUM COPPER	GOLD
5	SHELL	BRASS	NICKEL
4	RETAINER RING	BURYLLIUM COPPER	NATURAL
3	BARREL	BRASS	NICKEL
2	INSULATOR	PTFE	NATURAL
1	BODY	BRASS	GOLD

UNLESS OTHERWISE SPECIFIED DIMENSIONS ARE IN MILLIMETERS. DIMENSIONS IN [ ] ARE IN INCHES AND FOR CUSTOMER REFERENCE ONLY.

UNLESS OTHERWISE SPECIFIED TOLERANCES FOR MILLIMETERS ARE:  
0.5 - 8mm ± 0.20mm  
8 - 30mm ± 0.40mm  
30 - 120mm ± 0.50mm

UNLESS OTHERWISE SPECIFIED TOLERANCES FOR INCHES ARE:  
.020 - .315 = ± 0.007"  
.315 - 1.180 = ± 0.015"  
1.180 - 4.724 = ± 0.020"

DO NOT SCALE DRAWING

APPROVALS	DATE
DRAWN M.ZHANG	05/13/11
CHECKED	
ISSUED	
SHEET 1 OF 1	
CAD FILE C:/CONNEX/142101.DWG	

<b>Amphenol Connex</b>			
PART DESCRIPTION <b>SMZ CRIMP PLUG (FOR RG-179/U, 187A/U CABLE)</b>			
PART NO. <b>142101</b>			
DWG. NO.	142101.DWG	REV.	NC
SIZE	A	SCALE	NA