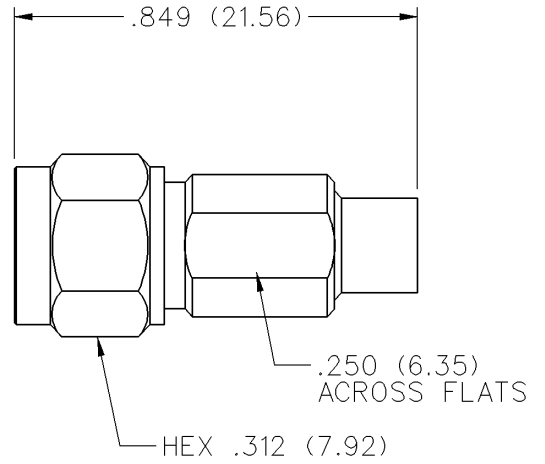


# Between Series Adapter SMA Plug to MCX Jack



INCHES (MILLIMETERS)  
CUSTOMER DRAWINGS AVAILABLE UPON REQUEST



VSWR & FREQUENCY RANGE	GOLD PLATED
1.03 + .03f (GHz) 0-6 GHz	134-1018-001