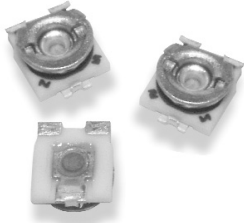


Type 3135 Series

Type 3135 Series



The 3135 miniature chip trimmer incorporates the latest technology developments and has been rigorously tested to the highest standards. It has been developed specifically for new generation handheld equipment, where the design specification demands precise setting and exceptional reliability. This tiny trimmer is supplied packaged for auto assembly in 8mm plastic blister tape on 180mm reels of 2500 units.

Key Features

- Tiny 3mm Potentiometer
- Stable Cermet Element
- Weight 0.04 Grams
- Components Marked with Value
- Delta Terminals Prevent Solder Bridging
- Attractively Priced
- Packaged in Standard 8mm Tape

Characteristics - Electrical

Resistance Range:	100R to 1M
Resistance Values:	1, 2, 5 in each decade
Resistance Tolerance:	± 25%
Resistance Law:	Linear
Temperature Coefficient of Resistance:	± 250ppm / °C (-40°C to 100°C)
Maximum Operating Voltage:	50V DC or AC RMS maximum
Resolution:	Essentially Infinite
Contact Resistance:	<5% nominal resistance
Power Rating:	0.15W at 70°C derating to zero at 100°C
Effective Electrical Angle:	270° ± 20°

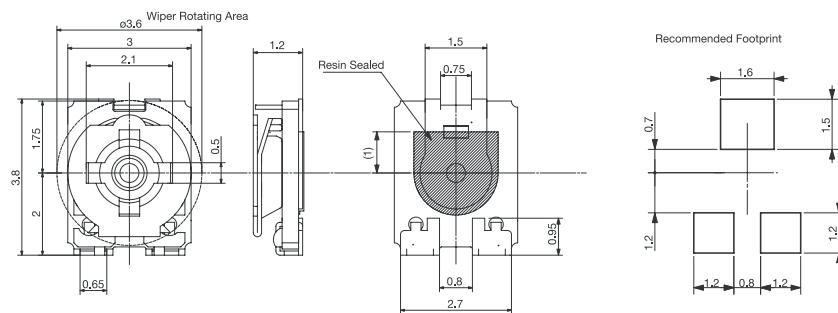
Characteristics - Mechanical

Rotational Torque:	1 to 12 mNm
Weight:	0.04 grams
Marking:	2 digit resistance code on potentiometer

Characteristics - Environmental

Temperature Range:	-40°C to +100°C
Rotational Life:	After 20 cycles ΔR < 10%
Load Life:	ΔR < 5% after 1000 hours at 70°C
Soldering Heat:	220°C for 40 Seconds maximum.
Humidity Load Life:	ΔR < 5% after 1000 hours 95% RH under load
High Temperature:	ΔR < 5% after 1000 hours at 70°C

Dimensions



Reel Quantity 2500 pieces

How to Order

3135	X	502	P
Common Part	Orientation	Resistance Value	Tolerance
3mm Trimmer	X - Terminals 1 and 3 away from the sprocket holes	The first two digits are significant figures of resistance value and the third denotes the number of zeros following. e.g. 1K: 102 10K: 103 100K: 104	P - 25 %