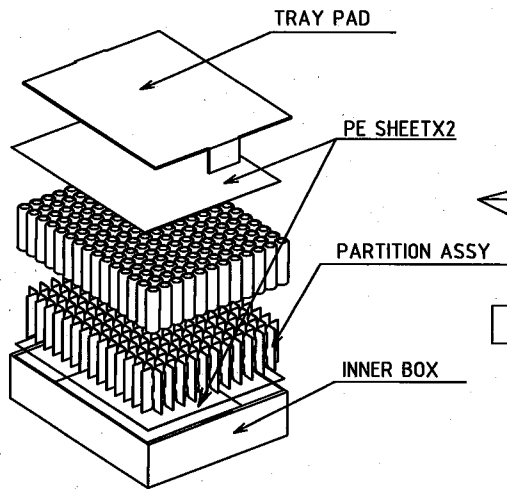
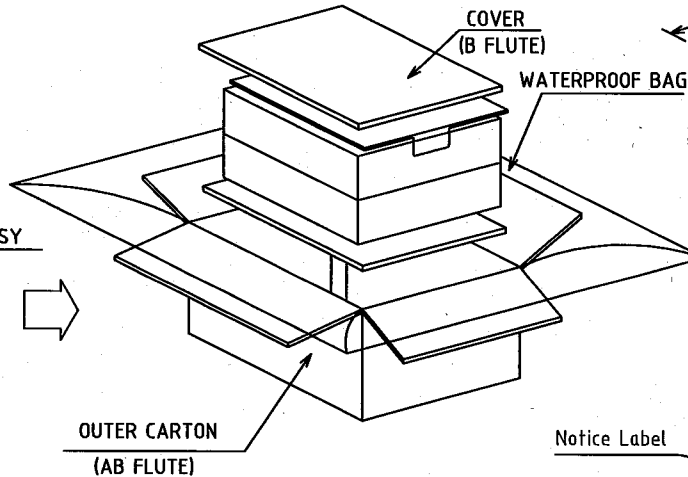


Symbol	Date	Revision	Signed	Checked	Approved
X					
X					
X					

1. INNER CARTON
(180 CELLS)



2. OUTER CARTON
(360 CELLS)

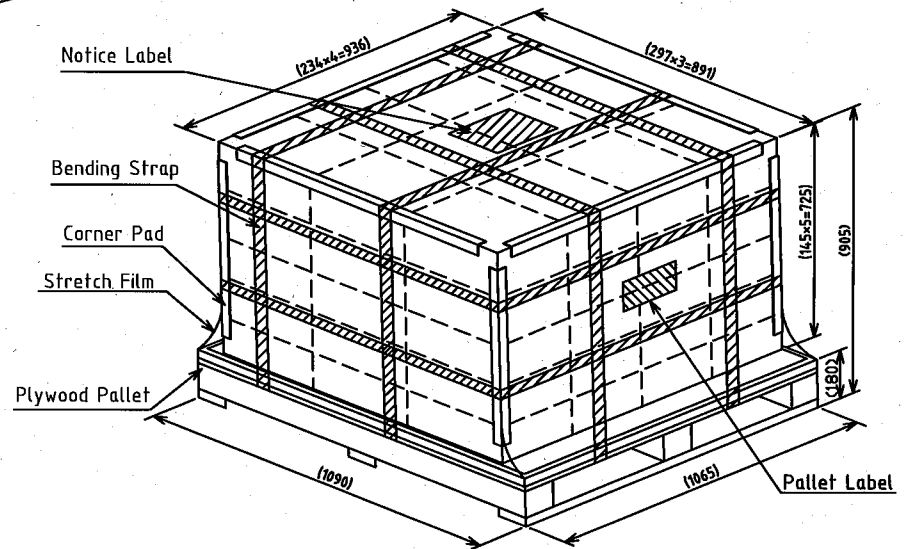


LABEL(PRINTING)

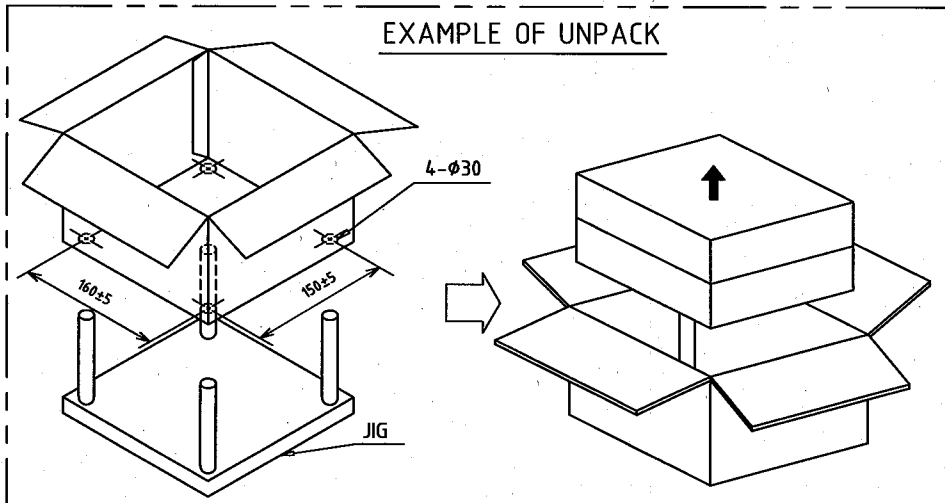
Part No.	XXXXXXXX
Q'TY	XXX PCS Lot No. XXX
MADE IN CHINA	

Lot No. Ex: 14 11
YEAR MONTH
Q'TY: 360 (FULL BOX)
XXX (FACT NO. OF UNFULL BOX)

3. PALLET PACKAGE
(21600 CELLS)



EXAMPLE OF UNPACK



CARTON BOX
QUANTITY: 360 CELLS
NET WEIGHT : 12.96kg
GROSS WEIGHT : 13.46kg

PALLET Package
LAYER : 3x4x5
QUANTITY: 21600 CELLS
NET WEIGHT. : 777.6kg
GROSS WEIGHT : 837.1kg
VOLUME : 1.05 m³

秘
Confidential

						Model No.	BK250A SERIES
						Name	PACKING SPECIFICATION (Tube Type)
						Parts No.	W91250737
Scale	Designed	Drawn	Checked	Checked	Approved		
FREE	David	David					
	14/10/15	14/10/15					

6/6