

Model No: DX19TD10-08  
 Product Line:

Rev 1  
 Last Update: 2017-01-05 14:19:58

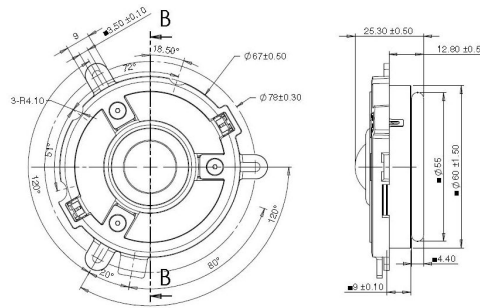
## Product Description

This DX family tweeter features a 8 ohm 19 mm ferrofluid-cooled voice coil, a damped silk diaphragm with large surround roll to produce a low resonant frequency, and a ferrite magnet motor which adds heat sinking for power handling capacity. The faceplate features recessed mounting holes to minimize reflections.

NOTE THIS DRIVER IS NOT APPROVED AND/OR IS NOT IN MASS PRODUCTION YET.  
 AS SUCH IT MAY BE SUBJECT TO CHANGE.  
 SPEC IS ONLY FOR INFORMATION.  
 PLEASE CHECK STATUS WITH THE ENGINEER



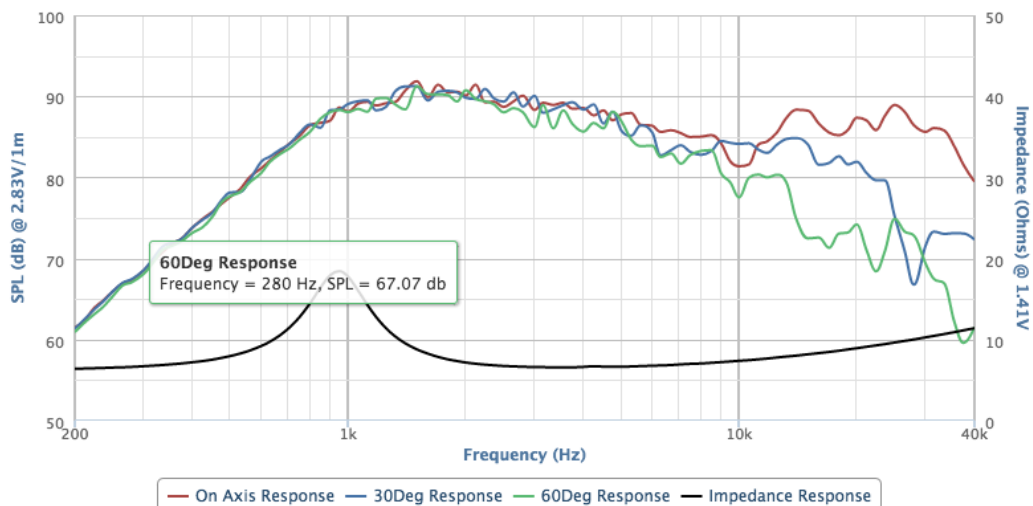
## Mechanical Drawing



## Specifications

DC Resistance	Revc	Ohms	6.11	5.0%	Energy Bandwidth Product	EBP	(1/Qes)*fs	778.63
Minimum Impedance	Zmin	Ohms	6.58	7.5%	Moving Mass	Mms	g	0.21
Voice Coil Inductance	Le	mH	0.02		Suspension Compliance	Cms	um/N	127.77
Resonant Frequency	Fs	Hz	981.07	15%	Effective Cone diameter	D	cm	2.5
Mechanical Q Factor	Qms		2.62		Effective Piston Area	Sd	cm^2	4.9
Electrical Q Factor	Qes		1.26		Effective Volume	Vas	L	0
Total Q Factor	Qts		0.85		Motor Force Factor	BL	Tm	2.48
Ratio Fs/Qts	F	Fs/Qts	1154.2		Motor Efficiency Factor	β	(T*M^2)/Ohms	1.01
Half Space Sensitivity @2.83V	db@2.83V/1M	dB	88.88	+/- 1.0db	Voice coil former Material	VCfm		ASV
Half Space Sensitivity @1W/1M	db@1W/1M	dB	88.03	+/- 1.0db	Voice coil inner diameter	VCd	mm	19.3
Gap Height	Gh	mm	2		Rated Noise Power	P	W	120
Maximum Linear Excursion	Xmax	mm	0.1		Test Spectrum Bandwidth	2.5kHz-20KHz		
Ferrofluid Type	FF				Transducer Size	mm	19	
Transducer Mass	Kg	0.3						

## Frequency and Impedance Response



Highcharts.com