

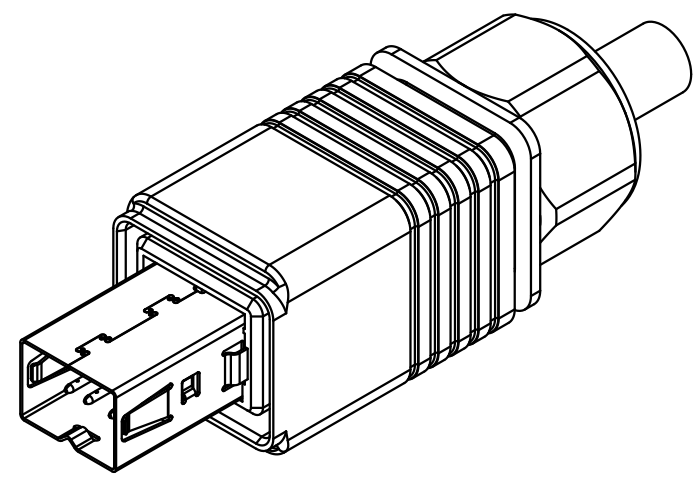
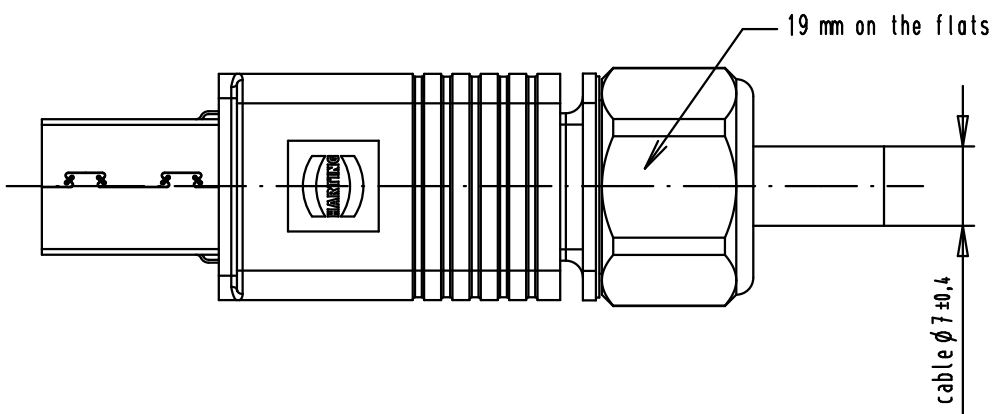
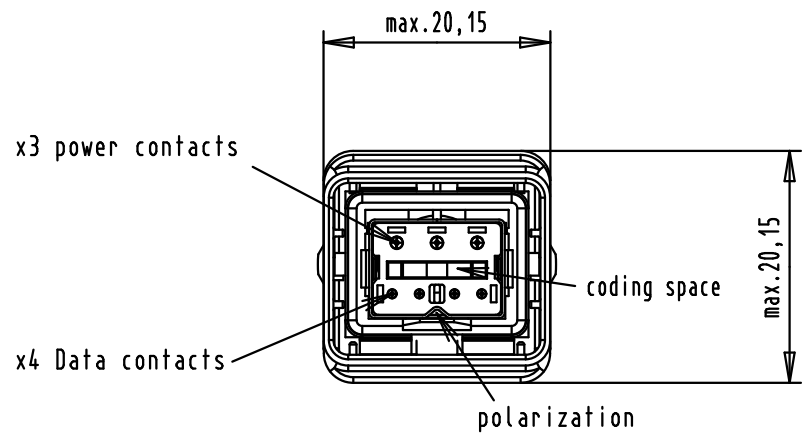
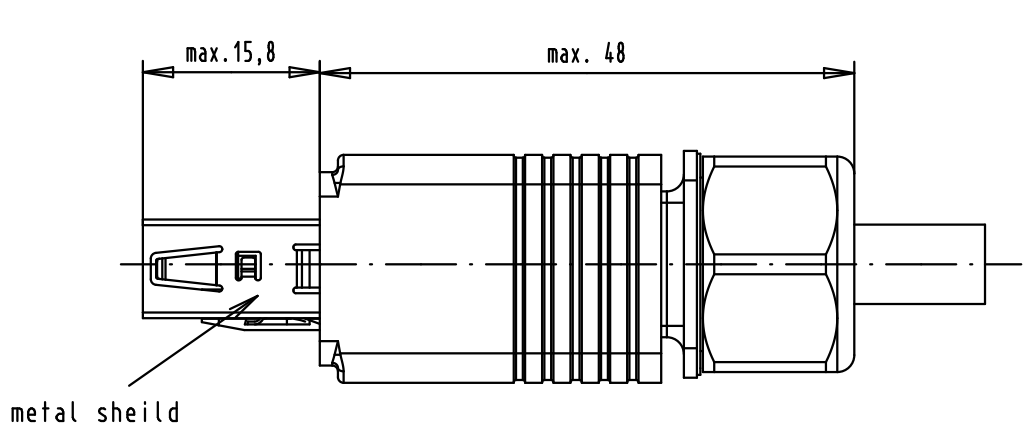
1 2 3 4 5 6

A

B

C

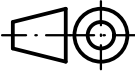

D



x3 Stamped power crimp contact : for stranded wire AWG 20-24 with \emptyset maxi.1.52 mm.
 x4 Stamped data crimp contact : for stranded wire AWG 24-26 with \emptyset maxi.1.38 mm.
 Plating : mini. Au 0.76 μ m over nickel.

Set of codings keys.

Set of sealing glands:
 for 4.9 to 6.1 mm \emptyset cables
 for 6.1 to 7.3 mm \emptyset cables
 for 7.3 to 8.4 mm \emptyset cables

			Dot.	Name	 All Dim. in mm Orig. Size DIN A 3	han IP67 Push-Pull Plug Shielded hybrid module , with 3 stamped Power contacts and 4 data contacts.	Moßstab/ Scale
		Detail.	15-01-06	JFB			1.5
		Insp.					
		Stand.					
34386			HARTING EURL F-95972 Paris			 TB 09 45 145 1300	Blatt/ Page
Mod.	Dot.	Name					Sub. RP_090234_059