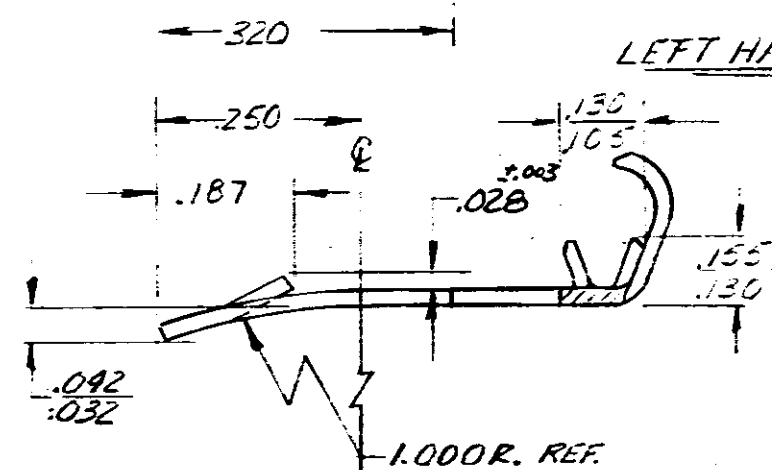
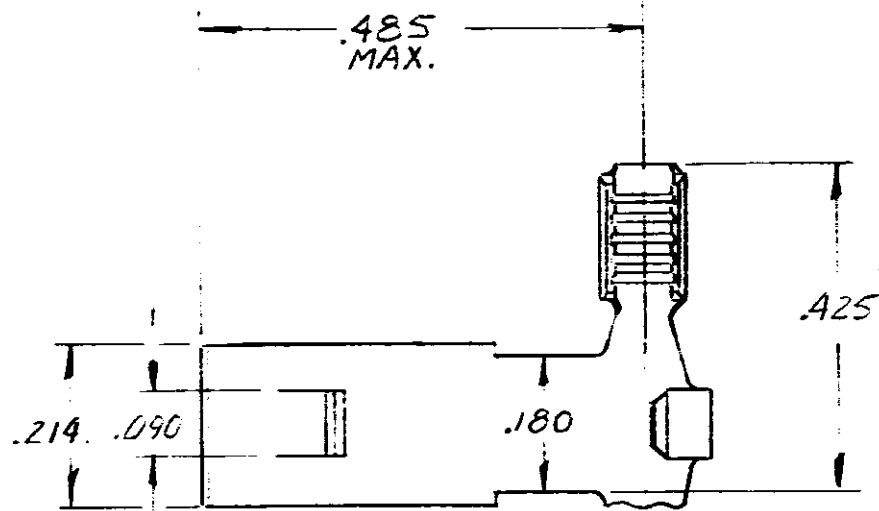


NUMBER  
61148



LEFT HAND ILLUSTRATION

WIRE SIZE CMA.	INSULATION RANGE	MATERIAL AND FINISH	TERMINAL NO
700-2400	.095-.115	.018 PHOS. BRONZE - NONE	61148-1
		<del>.018 PHOS. BRONZE - FIN</del>	<del>61148-2</del>

CONTINUES STRIP ON REELS

DIMENSIONS IN INCHES. DO NOT SCALE PRINT.

J	OBsolete - 2 M-1640	MF	6Y	4-1-64
H	RELEASED P.A.K	RLT	6Y	7-7-64
G	REMOVED STOCK A-3587	6Y		7/14/64
F	REVISED PER 2478	BB		ONE 8773
E	REVISED PER 2431	BB	J.C.S	529-2
D	REVISED PRINT DIST.	BB	8/4	7-41 10/25/64
C	REVERSED CH.S.H NPS.	EMD	8/20	7/16/64
B	REVISED PLATING	EMD	8/20	7/16/67
A	ADDED .092 .032	M75E EMD	8/20	8/24/67
C	RELEASED	M893 EMD	8/20	3/21/67
LTR	REVISION RECORD	DR	CHK	DATE
DR	1-26-67 EM FORTONAVAGE	DE	S.F. NRP	1-31-67
CHK	6.7 2/11/1-31-67	DE	C.H. Jeppell	1/31/67

©1967 BY AMP INCORPORATED. ALL RIGHTS RESERVED. AMP PRODUCTS COVERED BY PATENTS AND/OR PATENTS PENDING.

CUSTOMER COPY  
REFERENCE ONLY

MATERIAL AND FINISH



AMP INCORPORATED  
HARRISBURG, PENNA.

WIRE — RANGE — INSULATION

CLASS

TOLERANCE EXCEPT AS NOTED ± .015

TYPE

SCALE ± 1°

LOC AF A NO 61148 REV J

NAME  
AMPLIVAR BRUSH CONTACT