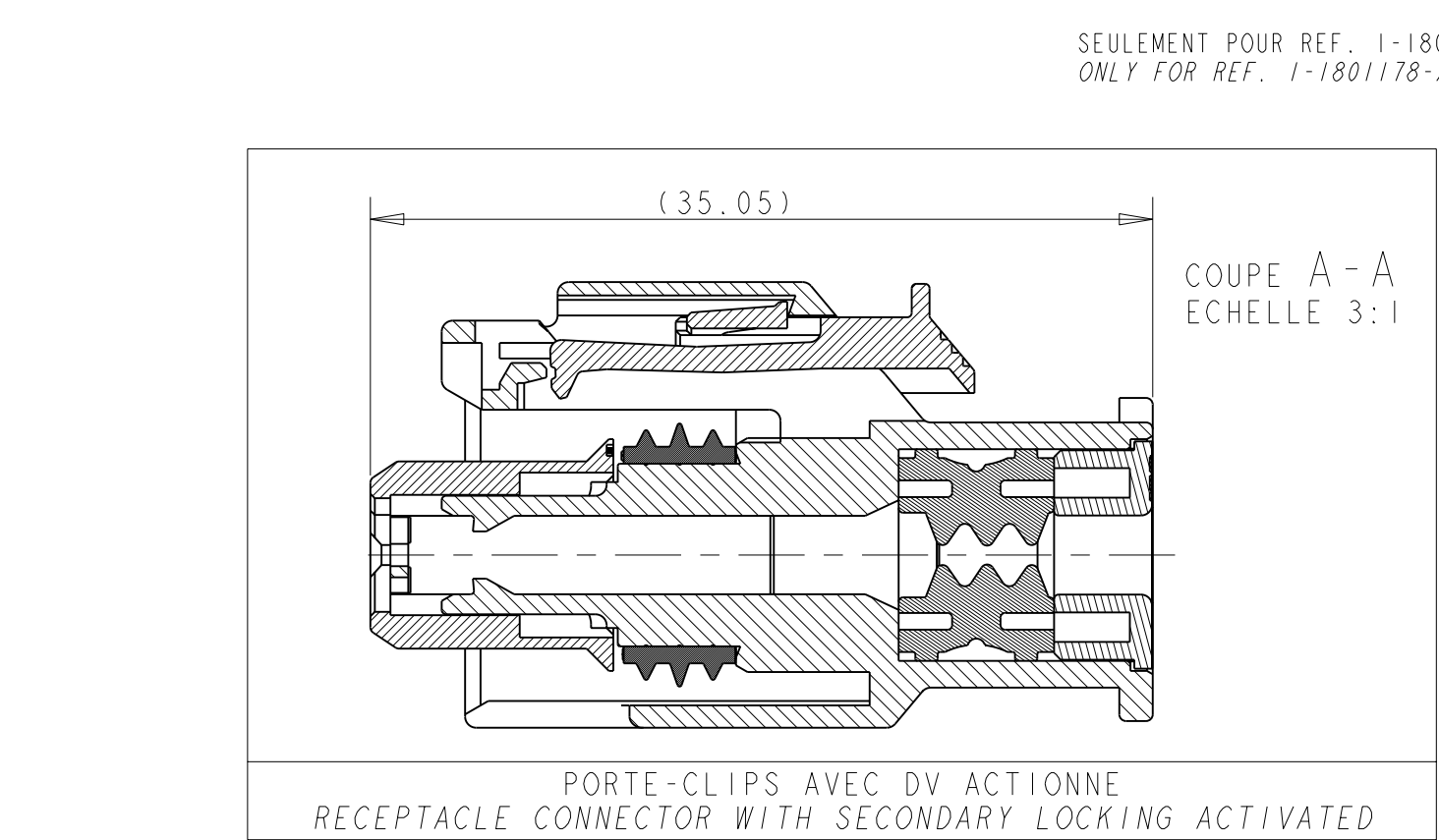
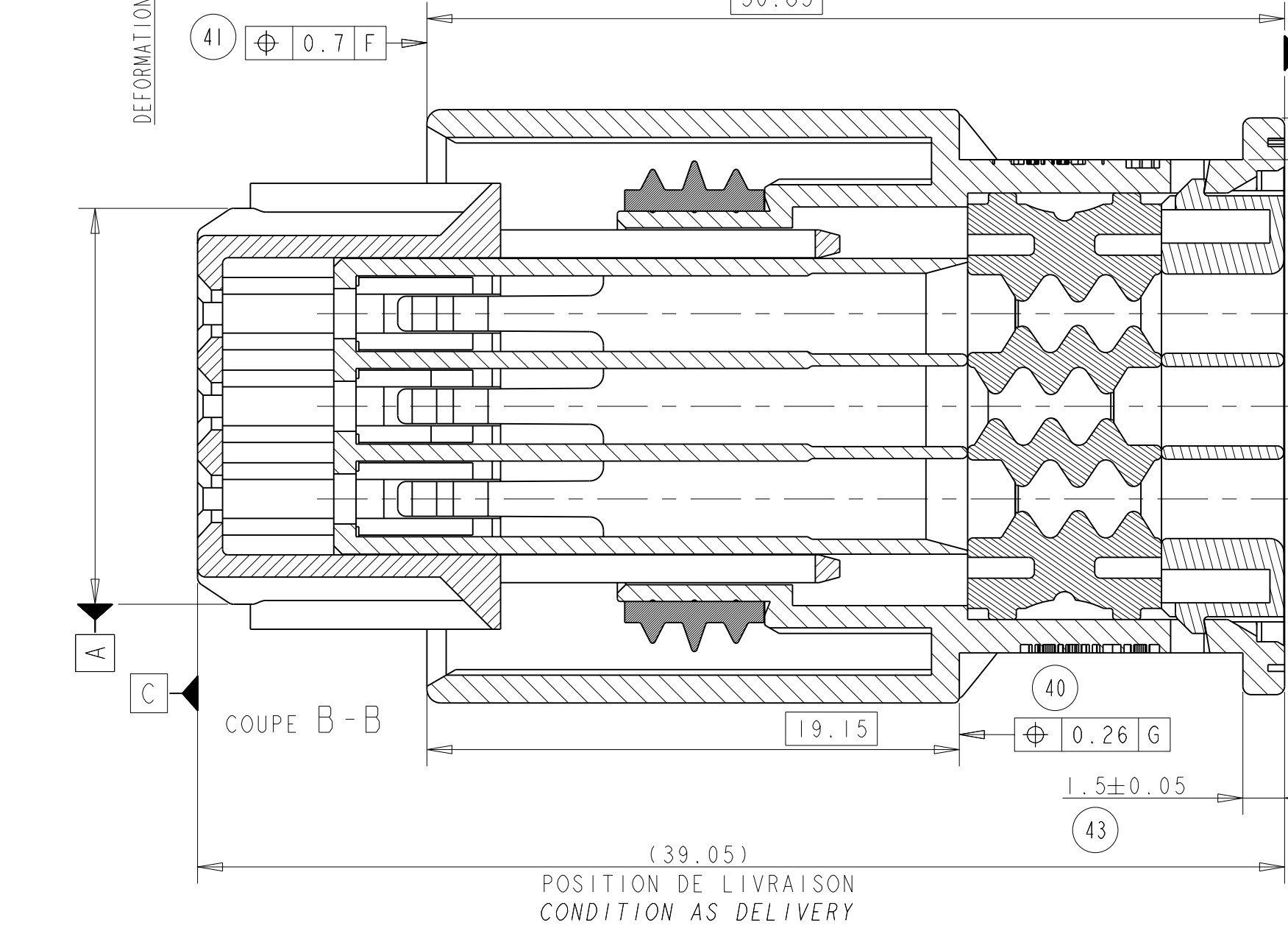
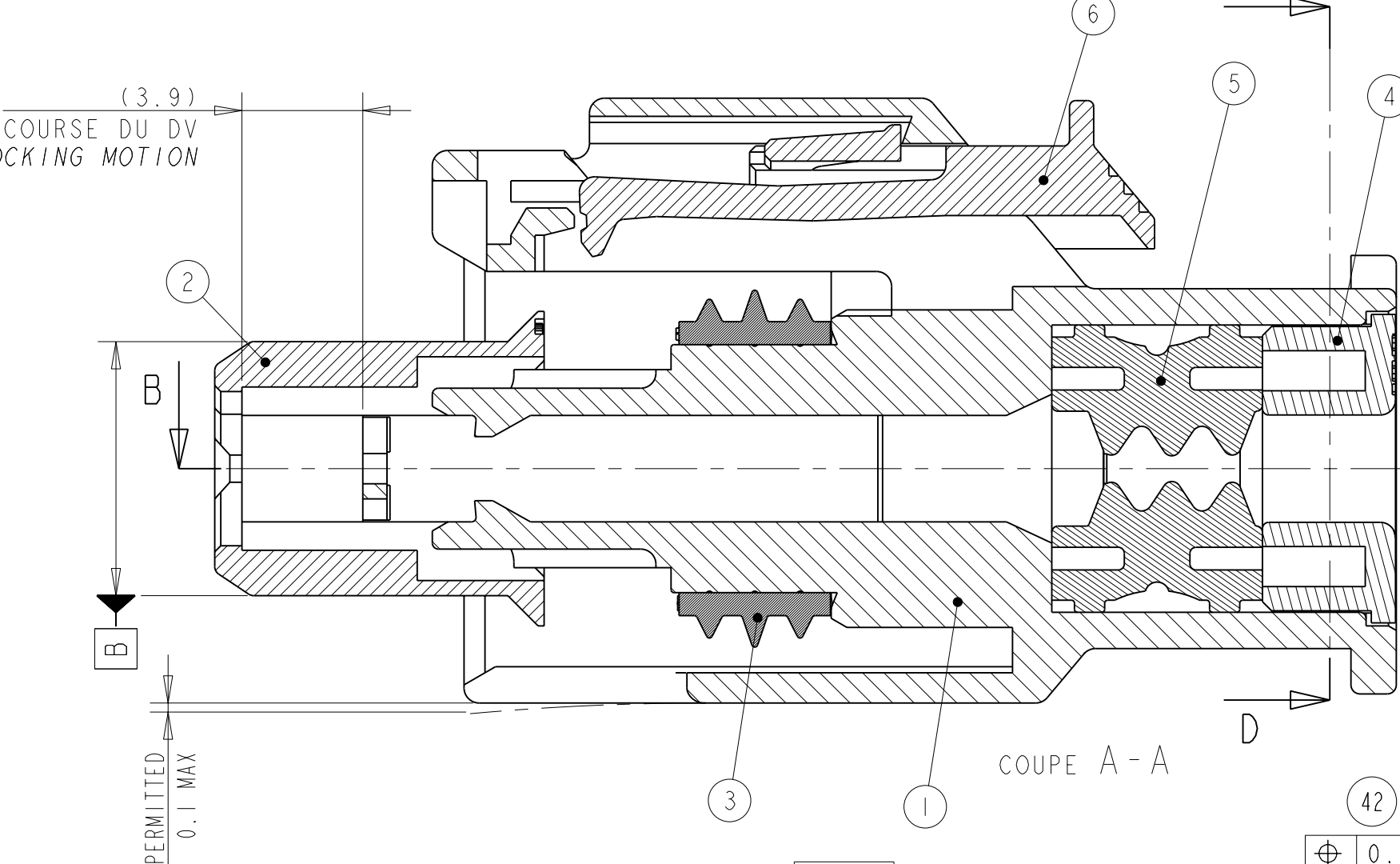
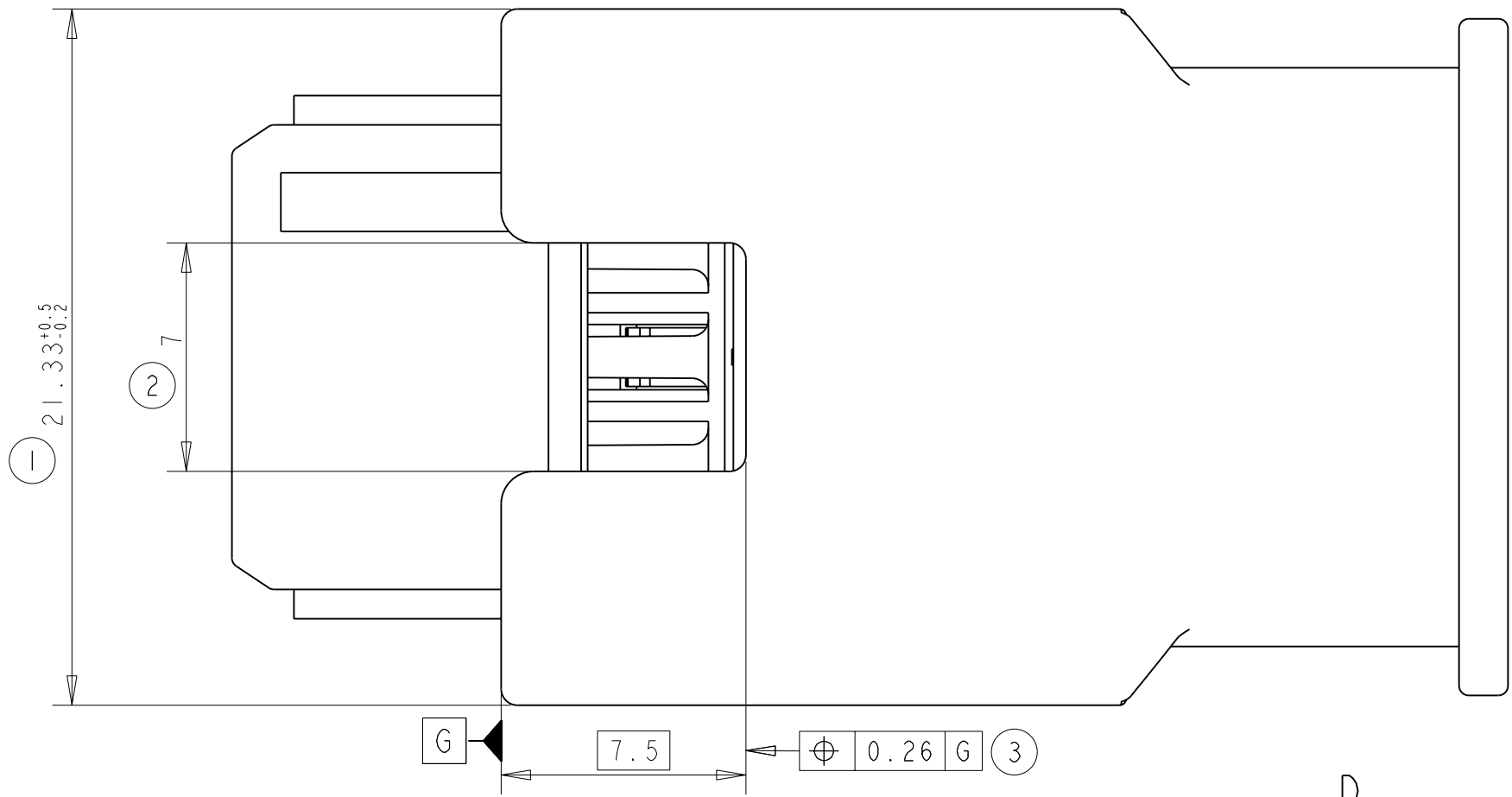
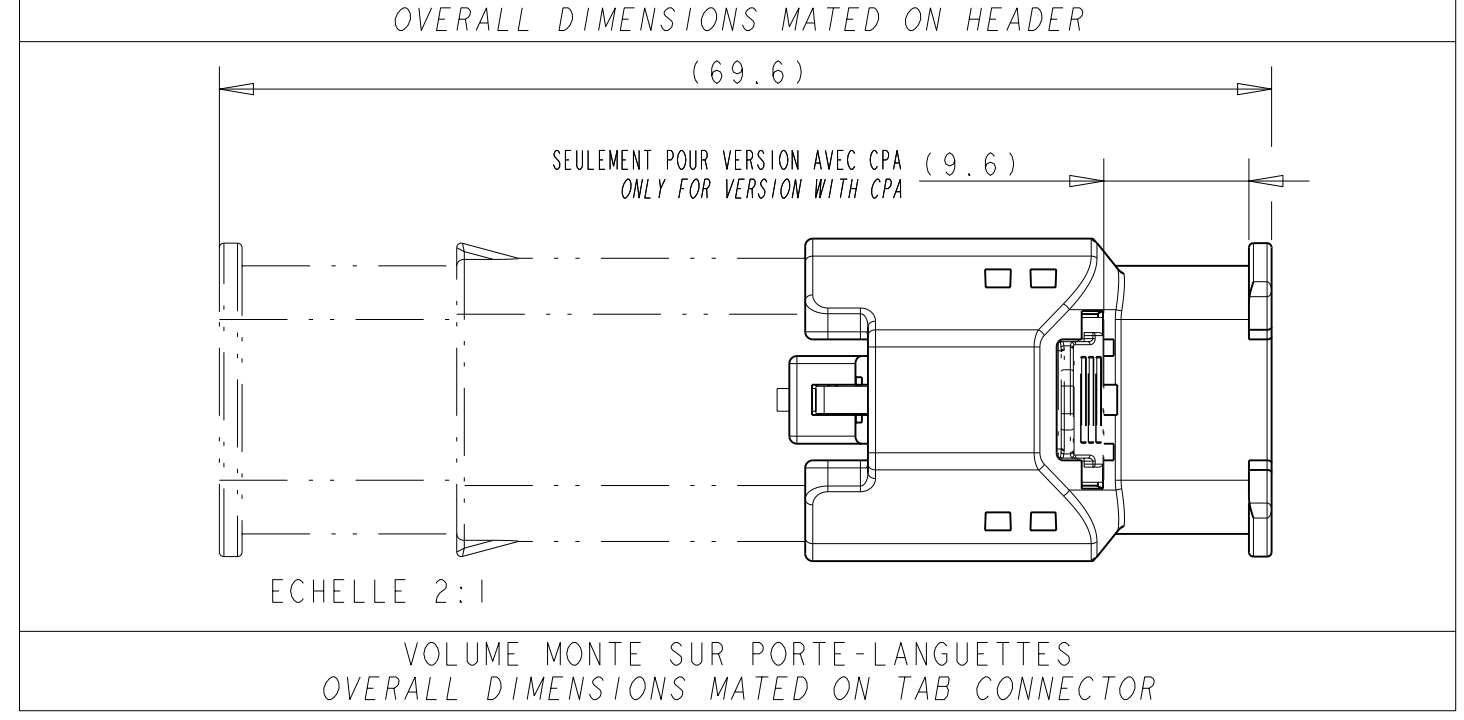
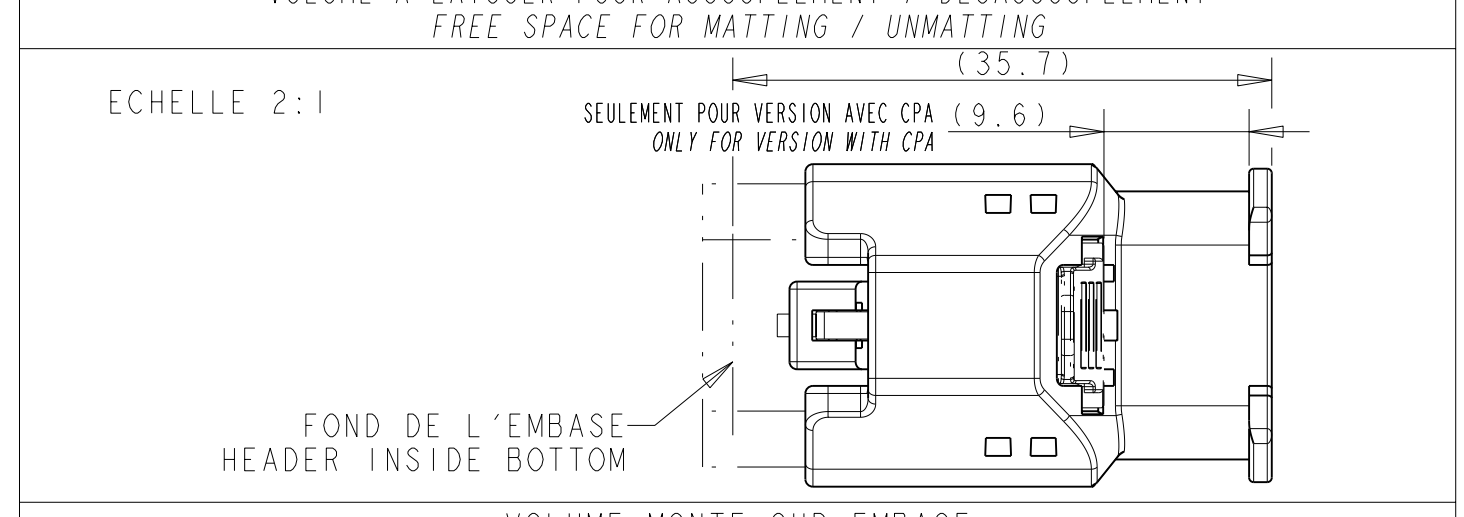
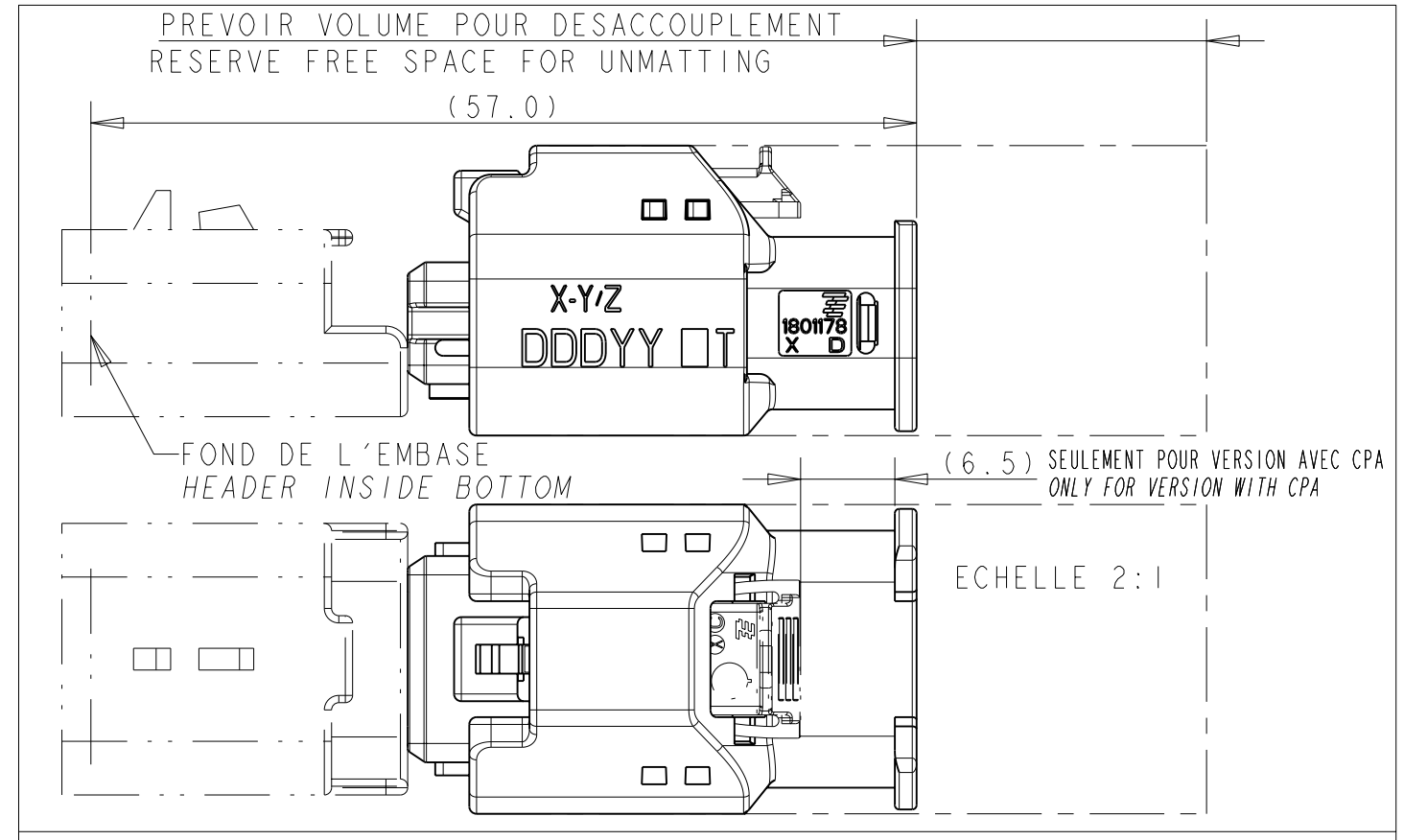
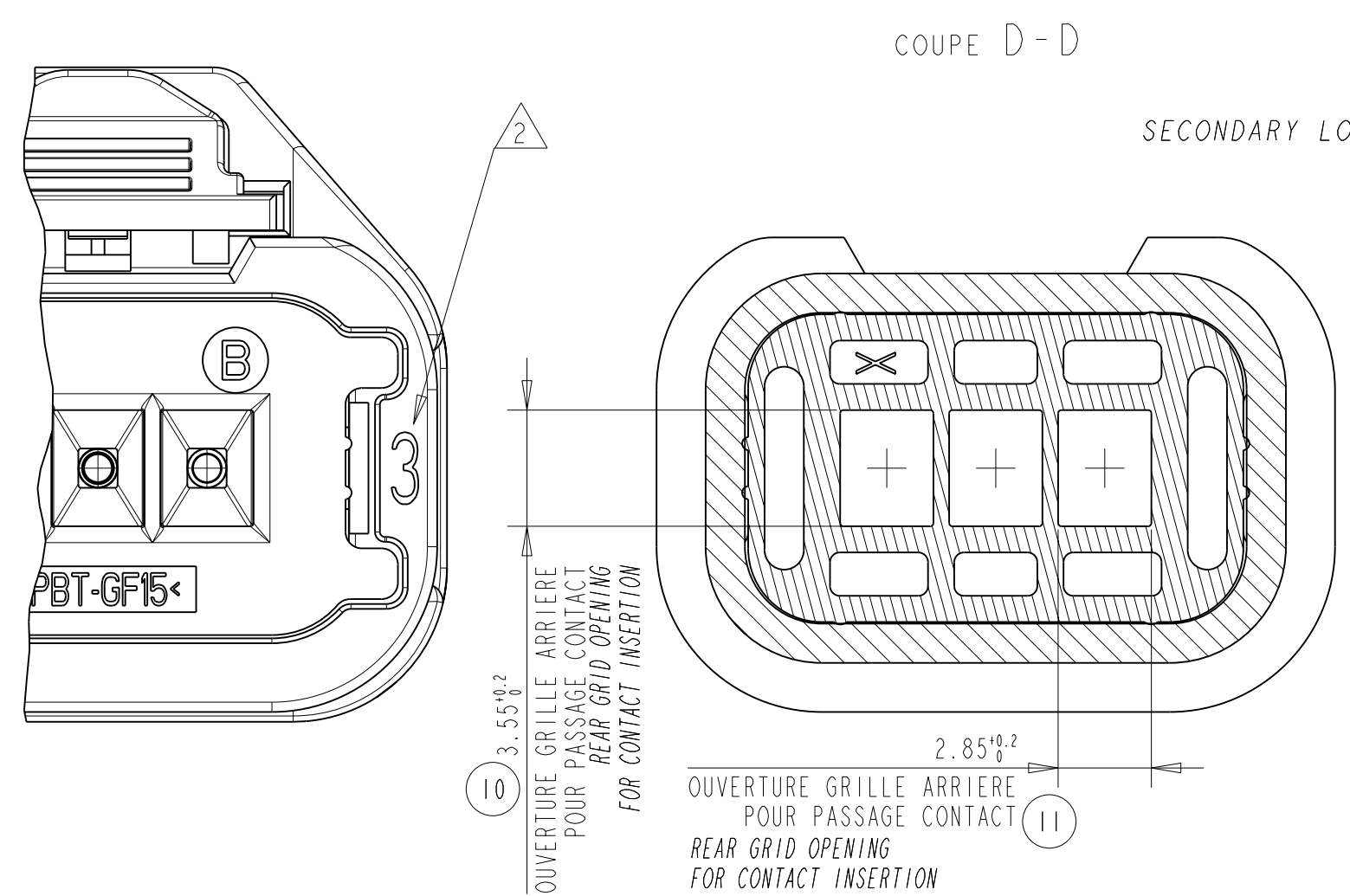
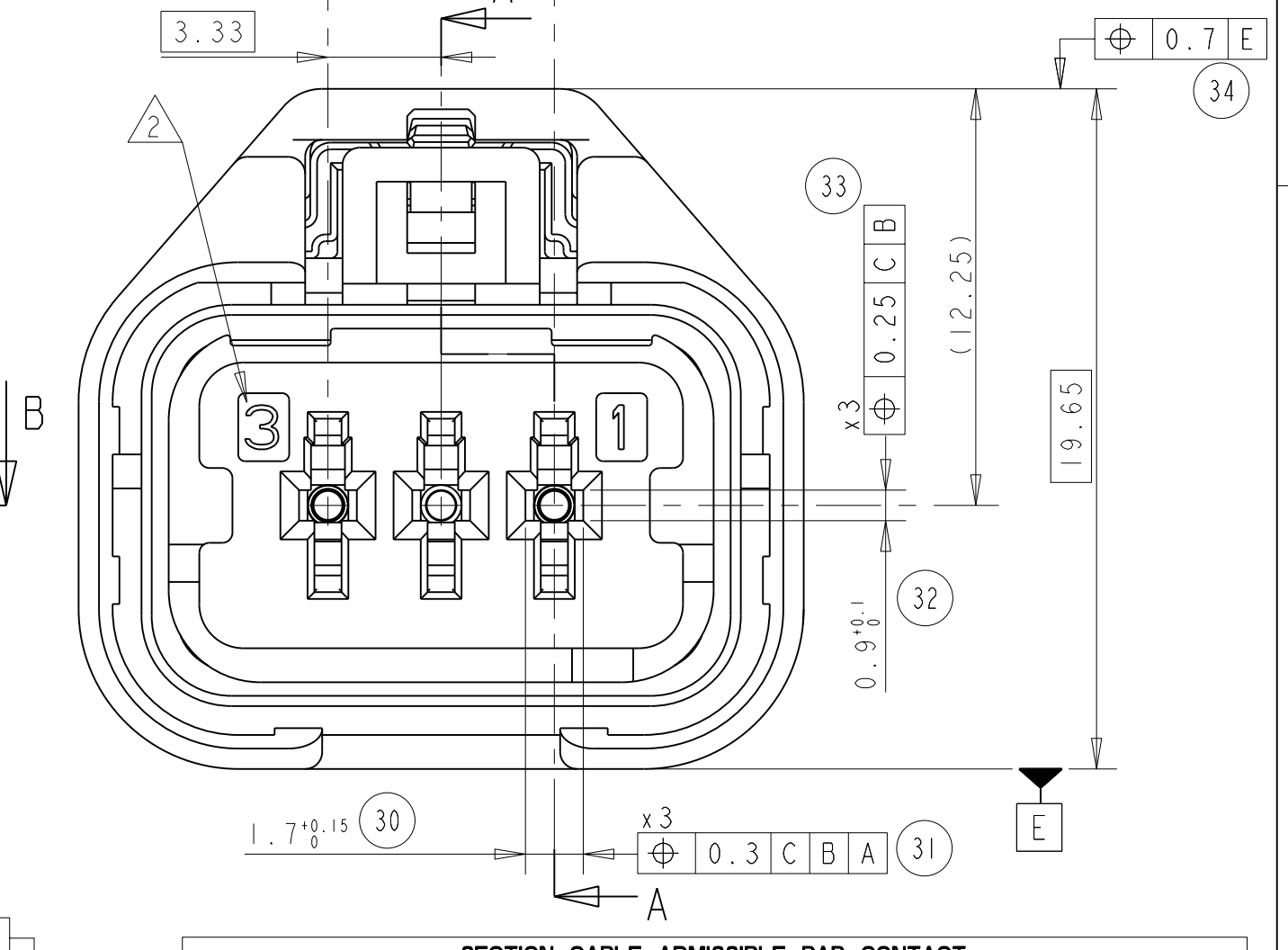
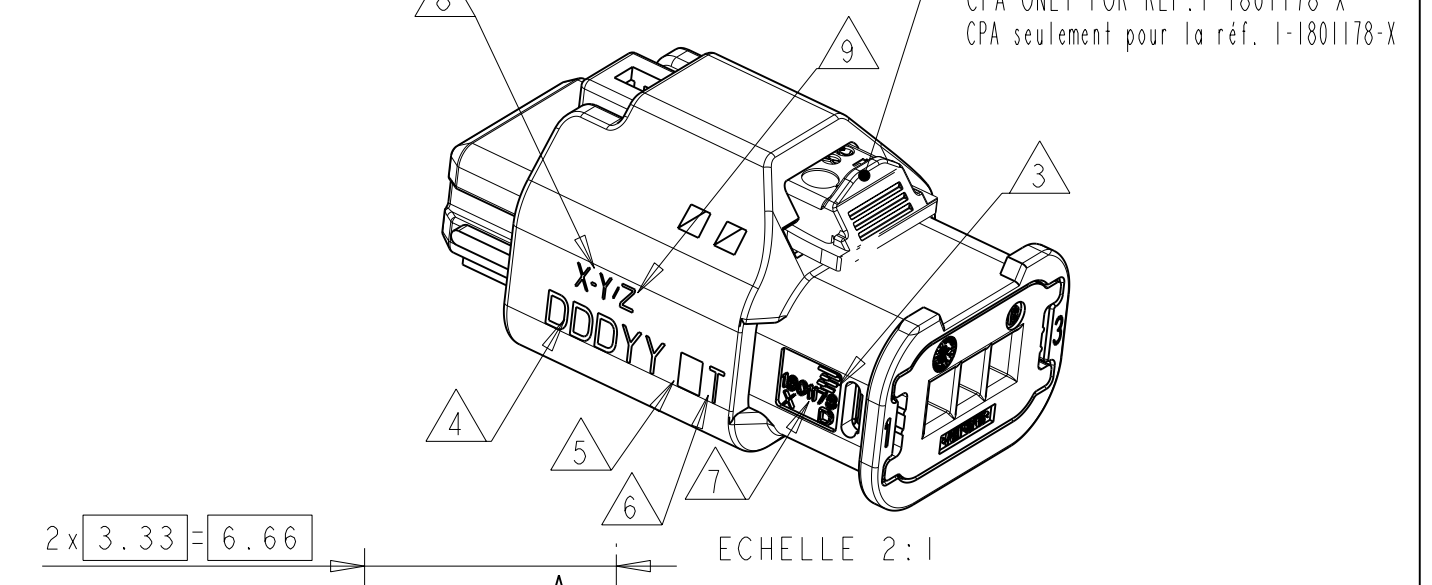


SANS CPA WITHOUT CPA		AVEC CPA WITH CPA		COULEUR COLOR	TOLERANCE POUR DETROMPAGE: ±0.05 KEYING TOLERANCE
REF TE TE NO	INDICE DE REVISION REVISION NUMBER	REF TE TE NO	INDICE DE REVISION REVISION NUMBER		
1801178-1	E	1-1801178-1	F	NOIR BLACK	
1801178-2	E	1-1801178-2	F	BLEU BLUE	
1801178-3	E	1-1801178-3	F	GRIS GREY	
1801178-4	E	1-1801178-4	F	JAUNE YELLOW	
1801178-5	E	1-1801178-5	F	VERT GREEN	
1801178-6	E	1-1801178-6	F	MARRON BROWN	
1801178-7	E	1-1801178-7	F	BLANC WHITE	
1801178-8	E	1-1801178-8	F	ROUGE RED	
1801178-9	E	1-1801178-9	F	ORANGE ORANGE	

- NOTES/NOTES:
- 1- 1-1801178-1 REPRESENTE (COD. NOIR) / AS SHOWN (COD. BLACK)
 - 2 REPERE ALVEOLES / CAVITY MARKING
 - 3 LOGO TE / TE LOGO
 - 4 DATE D'ASSEMBLAGE / ASSEMBLY DATE
 - 5 CODE DU LIEU D'ASSEMBLAGE / ASSEMBLY LOCATION DATE
- E = EUROPE / EUROPE
C = CHINE / CHINA
M = MERCOSUR / MERCOSUR
- 6 NUMERO DE LA MACHINE D'ASSEMBLAGE / NUMBER ASSEMBLY LINE
 - 7 REF TE DE L'ASSEMBLAGE (RACINE) / TE ASSEMBLY NO (RACINE)
 - 8 REF TE DE L'ASSEMBLAGE (SUFFIXE) / TE ASSEMBLY NO (SUFFIX)
 - 9 INDICE DE REVISION PRODUIT / PRODUCT REVISION NUMBER
- 10- PIECES A UTILISER AVEC VOIR TABLEAU "COMPOSANTS ASSOCIES" / MATED WITH : SEE TABLE "ASSOCIATED PARTS"



LOC	DIST	REV	DATE	APP	DESCRIPTION
F	00	B	29JAN2008	FJ	MODIFIED HOUSING + ADDED PART NUMBER
		C	10DEC2008	FJ	MODIFIED TABLE "ASSOCIATED PARTS" + COLOR OF THE CPA
		D	03MAR2009	FJ	MODIFIED THE ASSY REVISION CODE: D was C
		E	01DEC2009	FJ	INCREASE IN THE LENGTH OF THE EXTERNAL WALL ABOVE THE LOCKING LATCH
		F	12JUL2010	FJ	MODIFIED CPA TO DECREASE ACTIVATION AND DESACTIVATION FORCE
		G	21NOV2011	FJ	ADDED NUMBER ASSY LINE ON THE PART



SECTION CABLE ADMISSIBLE PAR CONTACT
ACCEPTABLE CABLE SECTIONS PER CONTACT

La section des câbles utilisés doit être comprise entre 0,35 et 2mm² avec un diamètre d'isolant compris entre 1,40mm mini et 2,80mm Maxi
The cross-section of the cables used must be between 0,35 and 2mm² (with Insulator diameter included between 1,40mm mini and 2,80mm Maxi)

CAPOT FIXE 3 VOIES - SORTIE GAUCHE/DROITE FIXED COVER 3 WAYS - LEFT/RIGHT EXIT	POUR GAINNE ANNELEE DE 6mm FOR CORRUGATED TUBE OF 6mm	1801467-1
CAPOT FIXE 3 VOIES - SORTIE HAUT/BAS FIXED COVER 3 WAYS - UP/DOWN EXIT	POUR GAINNE ANNELEE DE 4,5mm FOR CORRUGATED TUBE OF 4,5mm	1-1801467-1
CAPOT FIXE 3 VOIES - SORTIE AXIALE FIXED COVER 3 WAYS - EXIT IN LINE	POUR GAINNE ANNELEE DE 6mm FOR CORRUGATED TUBE OF 6mm	1801168-5
CAPOT ROTATIF 90 DEG. 3 VOIES ROTATIVE COVER 90 DEG. 3 WAYS	POUR GAINNE ANNELEE DE 4,5mm FOR CORRUGATED TUBE OF 4,5mm	1-1801168-5
CAPOT ROTATIF 90 DEG. 3 VOIES ROTATIVE COVER 90 DEG. 3 WAYS	POUR GAINNE ANNELEE DE 6mm FOR CORRUGATED TUBE OF 6mm	1801468-1
CAPOT ROTATIF 90 DEG. 3 VOIES ROTATIVE COVER 90 DEG. 3 WAYS	POUR GAINNE ANNELEE DE 4,5mm FOR CORRUGATED TUBE OF 4,5mm	1-1801468-1
CLIP 1.5 SENSOR II DORE Section 1.4 à 2mm ² RECEPTACLE 1.5 SENSOR II GOLD PLATED Section 1.4 to 2mm ²	CAPOT (*) COVER	1801359-1
CLIP 1.5 SENSOR II DORE Section 0.75 à 1mm ² RECEPTACLE 1.5 SENSOR II GOLD PLATED Section 0.75 to 1mm ²	SUPPORT (**) ADAPTER	1670328-1
CLIP 1.5 SENSOR II DORE Section 0.35 et 0.5mm ² RECEPTACLE 1.5 SENSOR II GOLD PLATED Section 0.35 to 0.5mm ²		1670326-1
CLIP 1.5 SENSOR II DORE Section 0.35 et 0.5mm ² RECEPTACLE 1.5 SENSOR II GOLD PLATED Section 0.35 to 0.5mm ²		1564724-1
OBTURATEUR "MINI-ETANCHE" "MINI-ETANCHE" PLUGGING PIN		1801177-X
PORTE-LANGUETTES 3 VOIES HP 3 WAYS TAB CONNECTOR HP		

COULEUR COLOR	MATIERE MATERIAL	DESCRIPTION TITLE	REP. ITEM
ORANGE ORANGE	PBT-GF15 (MATIERE: HB) (HB MATERIAL)	CPA	6
VERT GREEN	SILICONE LUBRIFIE A 5% ; DURETE 30 SHORE A LUBRICATED SILICON TO 5% ; HARNESS 30 SH. A	JOINT GROMMET GROMMET SEAL	5
NOIR BLACK	PBT-GF15 (MATIERE: HB) (HB MATERIAL)	GRILLE ARRIERE REAR GRID	4
VERT GREEN	SILICONE LUBRIFIE A 4% ; DURETE 50 SHORE A LUBRICATED SILICON TO 4% ; HARNESS 50 SH. A	JOINT INTERFACIAL INTERFACE SEAL	3
VOIR TABLEAU DES REF. SEE TABLE OF PART NO	PBT-GF15 (MATIERE: HB) (HB MATERIAL)	DOUBLE VERROUILLAGE CODAGE (VOIR TABLEAU DES REFS) SECONDARY LOCKING CODING (SEE TABLE OF PART NO)	2
NOIR BLACK	PBT-GF15 (MATIERE: HB) (HB MATERIAL)	BOITIER PORTE-CLIPS RECEPTACLE HOUSING	1

THIS DRAWING IS A CONTROLLED DOCUMENT. DWN: 23NOV2007, C44: BARLEMON, 23NOV2007, J: DAHER, 23NOV2007, APVD: J. DAHER, 23NOV2007, PRODUCT SPEC: 108-15378, APPLICATION SPEC: 411-15712, WEIGHT: 1.7g / 1.4g, CUSTOMER DRAWING: A100779, C=1801178, SCALE: 3:1, SHEET: 1 OF 1, REV: G

STE TE Connectivity

NAME: 3 WAYS RECEPTACLE CONNECTOR HP
PORTE-CLIPS 3 VOIES HP