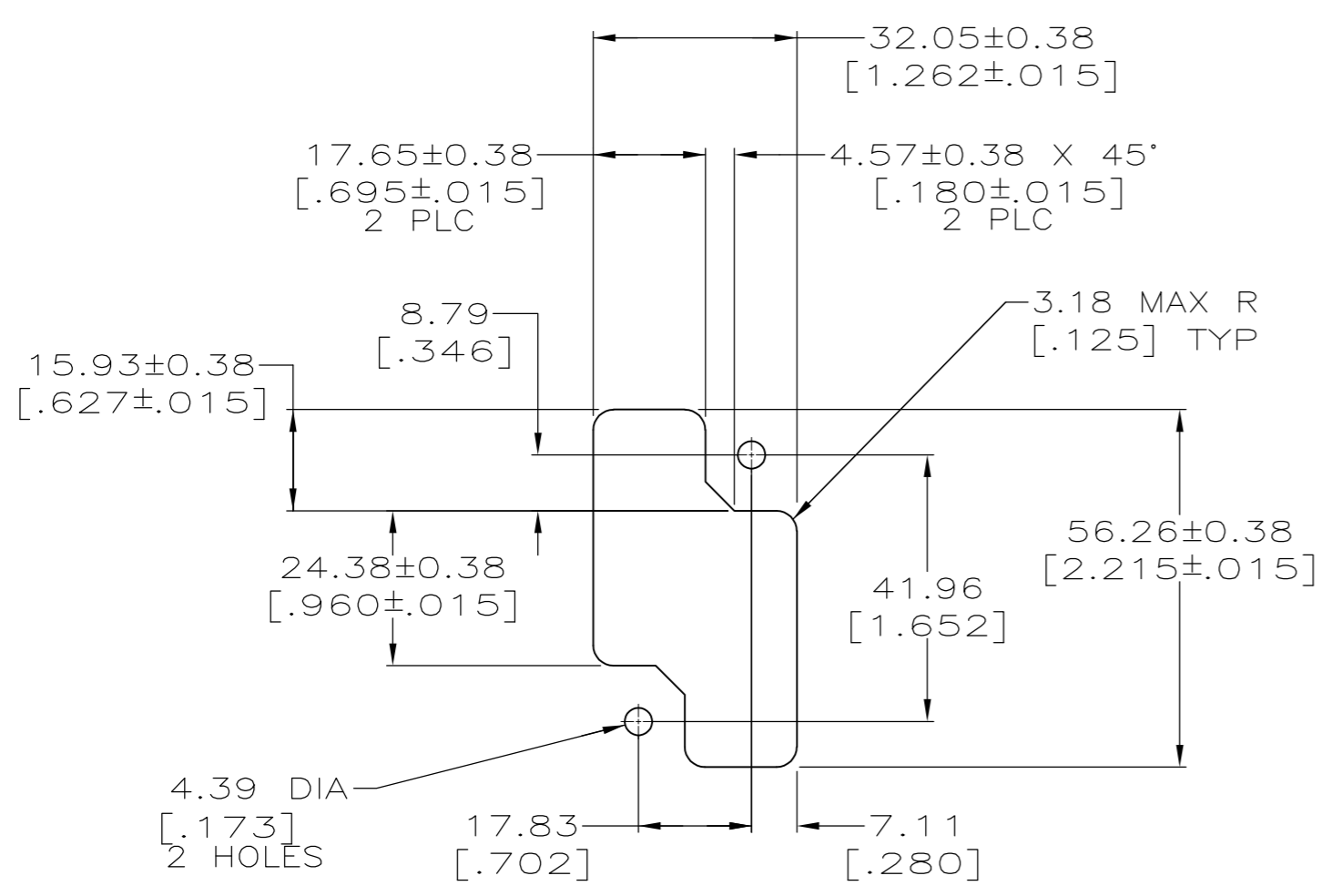
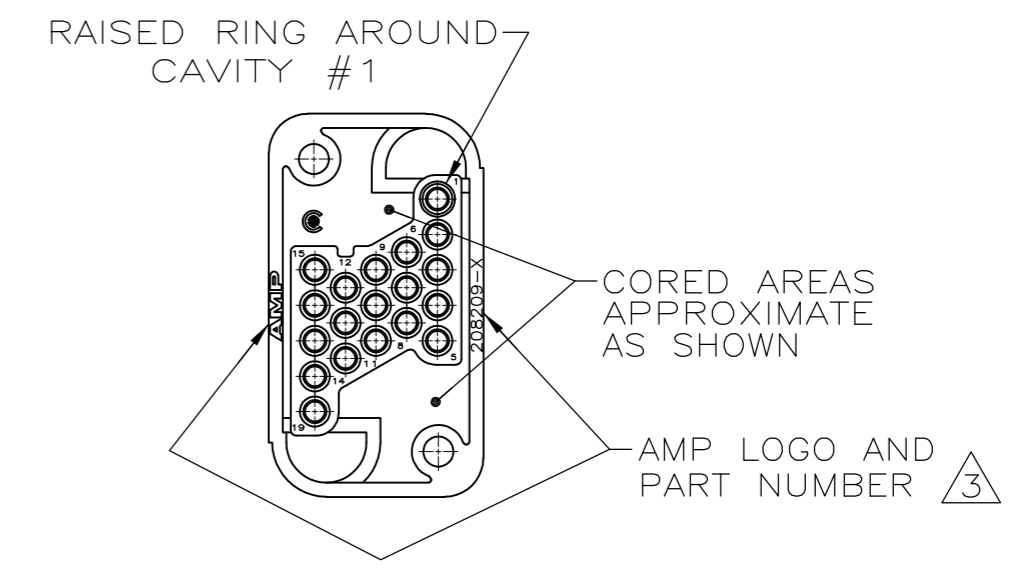
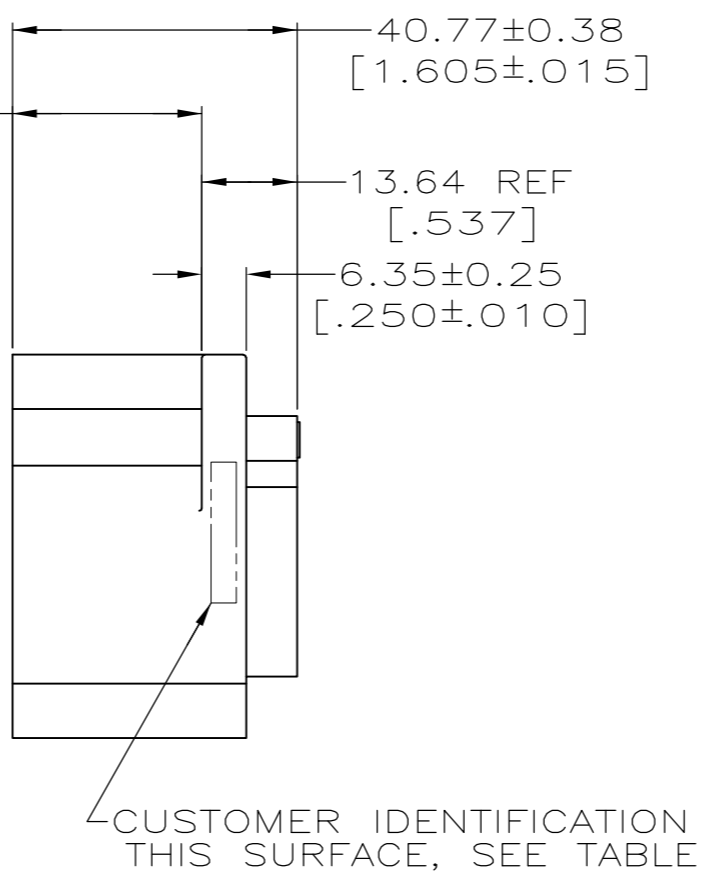
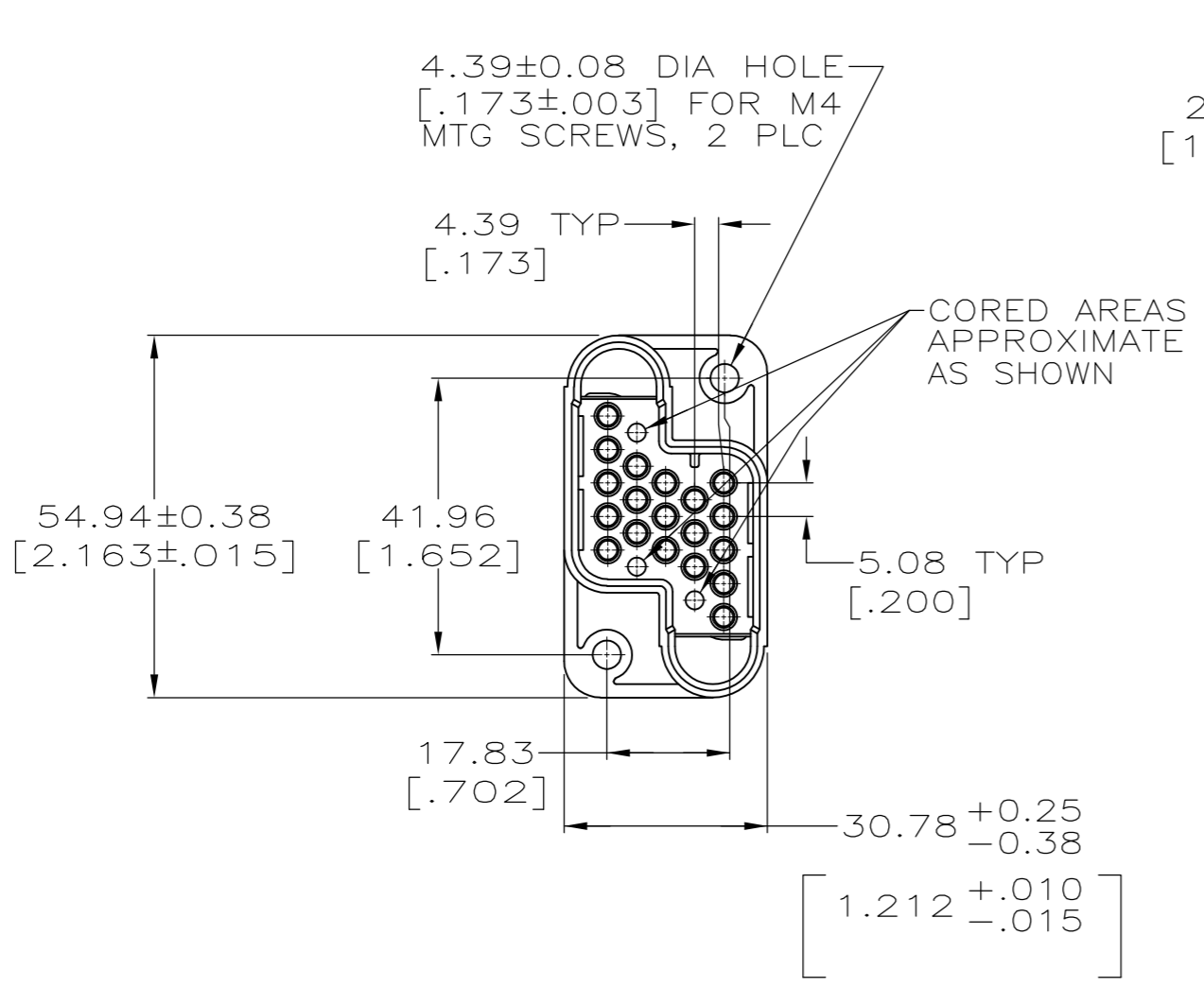


LOC	DIST	REVISIONS			
P	LTR	DESCRIPTION	DATE	OWN	APVD
BD	37	L1	REVISED PER ECO-11-004917	11MAR11	RK HMR



- 208209 MATES WITH 208210.
 - CAVITIES 1 & 19 SHOULD NOT BE USED WITH GROUND PIN.
- $\triangle 3$ ALL DASH NUMBERS WILL HAVE 208209-2 MOLD ON THE HOUSING.

SUGGESTED
 PANEL CUTOUT

CUST IDENT	MATERIAL	PART NO
-	POLYESTER, BLUE	208209-5
-	POLYESTER, BLACK	208209-2
113P10187	POLYESTER, BLACK	208209-1

THIS DRAWING IS A CONTROLLED DOCUMENT.		DWN R. SHIREY 9-9-91	STE TE Connectivity	
DIMENSIONS: MM[INCHES]		CHK R. STONE 9-23-91		
TOLERANCES UNLESS OTHERWISE SPECIFIED:		APVD A. TRAVIS 9-23-91	NAME PIN HOUSING, 19 POSN, METRIMATE	
0 PLC ± -		PRODUCT SPEC	SIZE CAGE CODE DRAWING NO	
1 PLC ± -		APPLICATION SPEC	RESTRICTED TO	
2 PLC ± ± 0.13 [.005]		114-10039	A2 00779 G-208209	
3 PLC ± ± -		WEIGHT -	SCALE 1:1 SHEET 1 OF 1 REV L1	
4 PLC ± ± ± 1°		CUSTOMER DRAWING		
FINISH -				