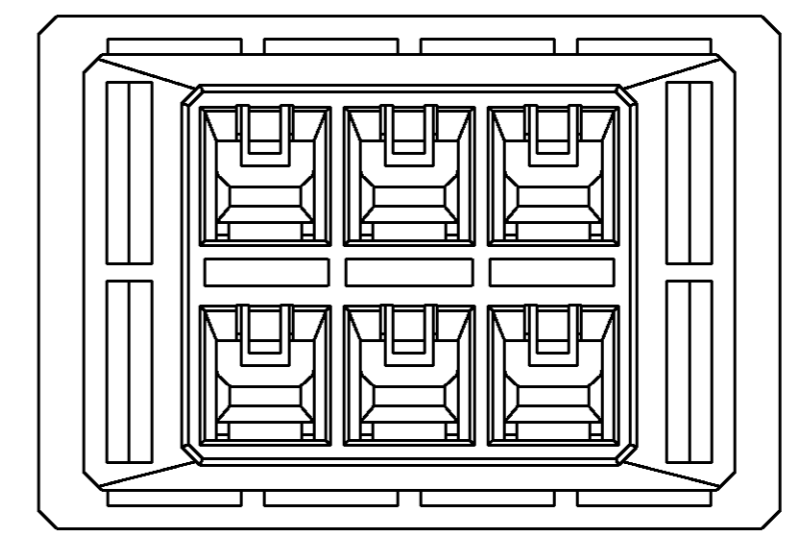
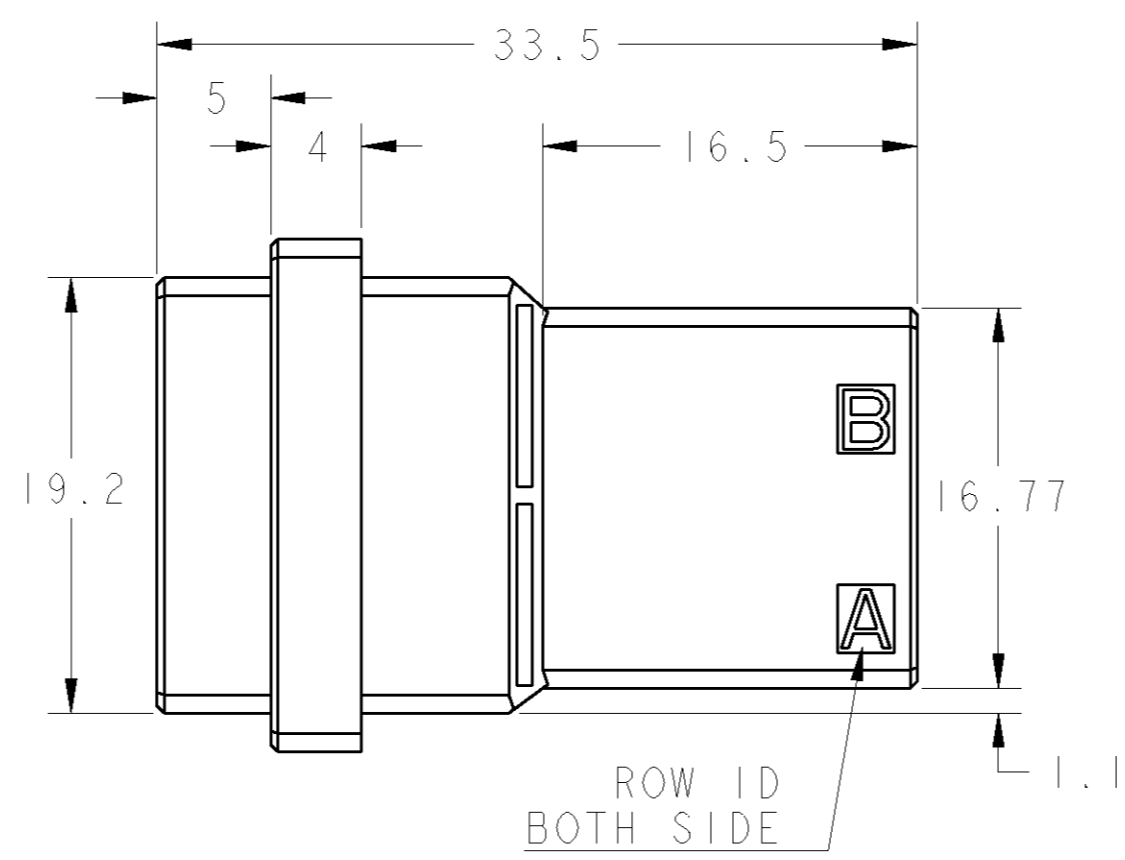
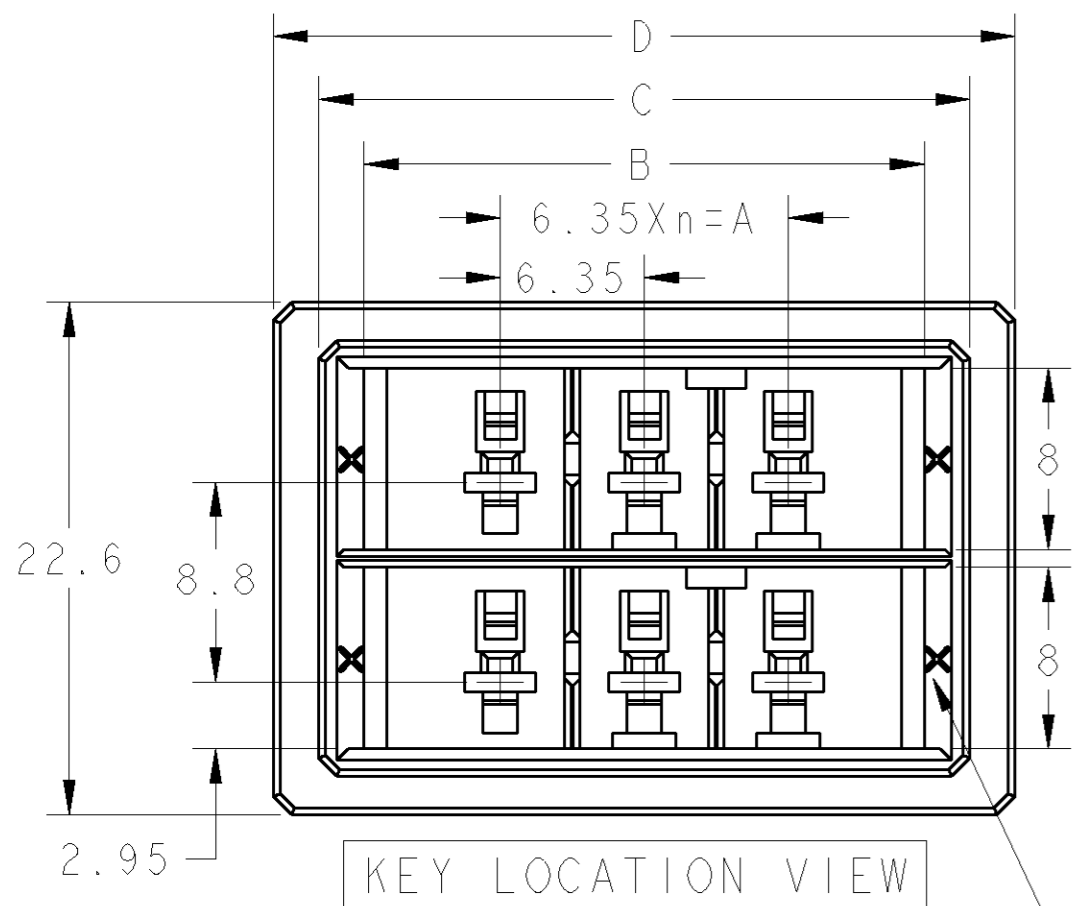
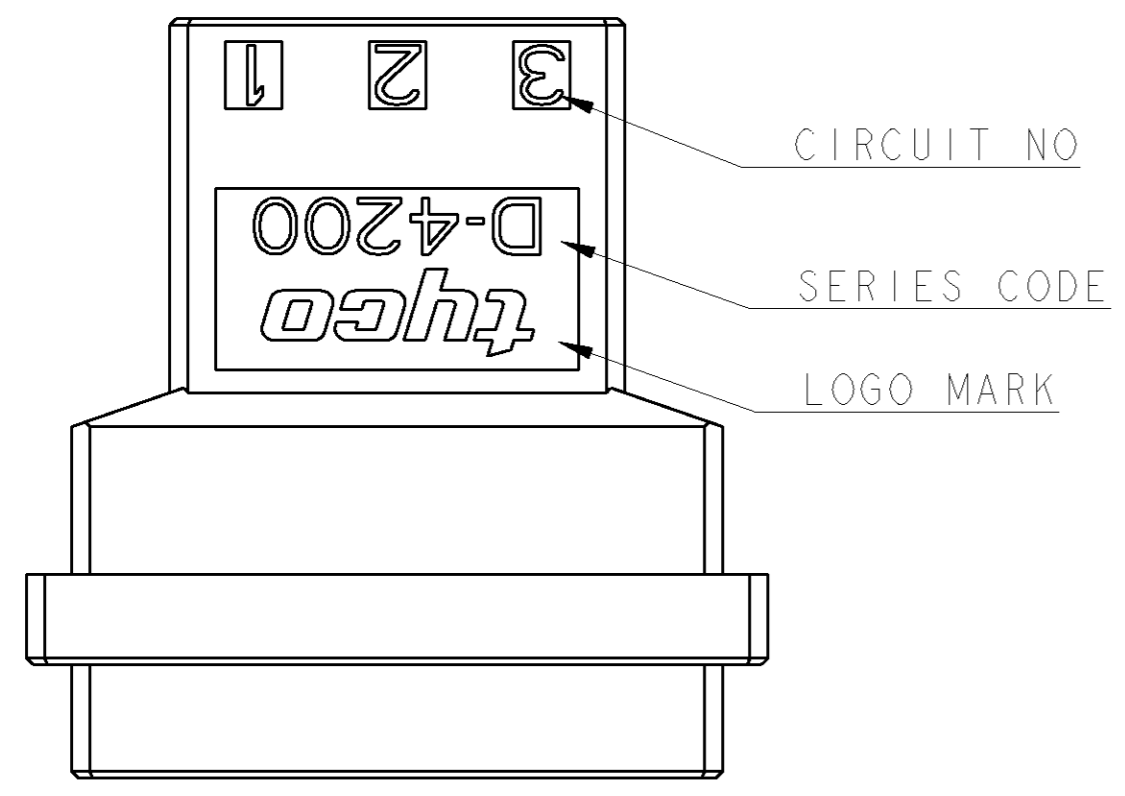


THIS DRAWING IS UNPUBLISHED. RELEASED FOR PUBLICATION 20
 © COPYRIGHT 20 BY TYCO ELECTRONICS CORPORATION. ALL RIGHTS RESERVED.

LOC		DIST		REVISIONS				
P	LTR	DESCRIPTION	ECN	DATE	DWN	APVD		
	A	RELEASED		01MAY2006	M.M	D.M		
	AI	CORRECT SPECIFICATION NO	ECR-07-000882	12JAN2007	M.M	D.M		

1. MATERIAL: GLASS FIBERED THERMO PLASTIC POLYESTER(94V-0), COLOR: BLACK
 2. THE SHAPE, SIZE AND POSITION OF THE CHARACTER SHOW THE OUTLINE. THEY DON'T SHOW DETAILS.

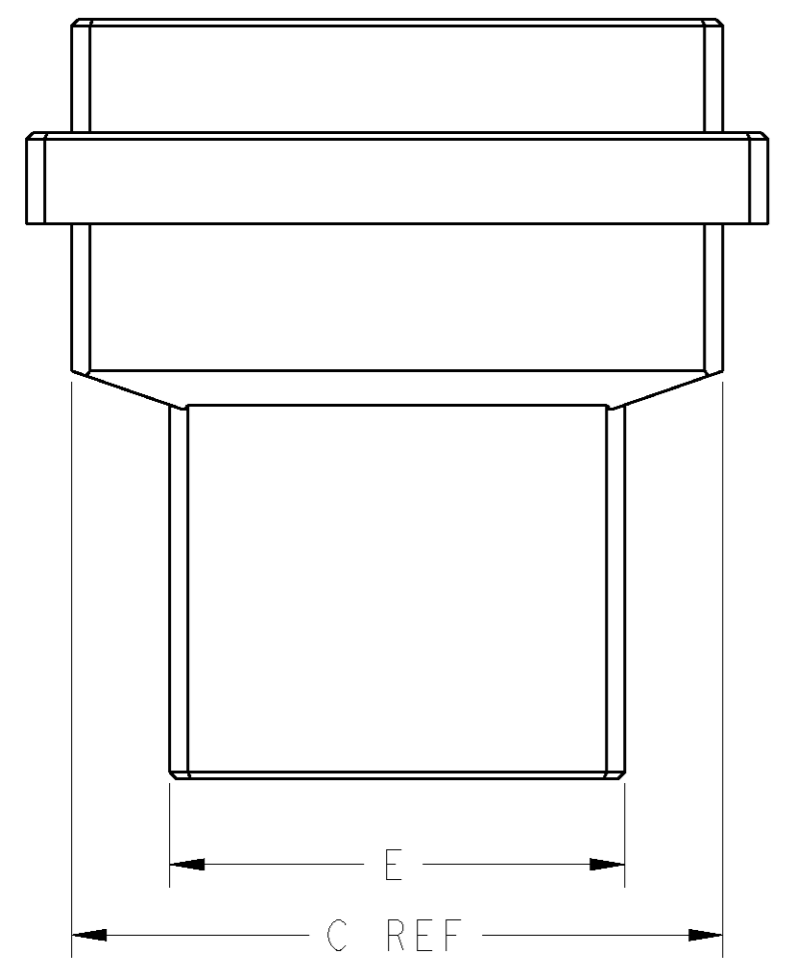
1. 材料: ガラス入り熱可塑性ポリエステル樹脂(94V-0), 色: 黒
 2. 文字の形状、大きさ、および位置については、大略を示すものであり、詳細を示すものではありません。



KEYING:
 XX OR YY OR XY
 XX : 1- -□
 YY : 2- -□
 XY : 3- -□

AS SHOWN : 1-1903330-3(6POS: X-X KEY)

POS	n	A	B	C	D	E	KEY LOCATION	KEY	PART NUMBER
6	2	12.70	24.70	28.70	32.70	20.05		X-X	1-1903330-3
6	2	12.70	24.70	28.70	32.70	20.05		Y-Y	2-1903330-3
6	2	12.70	24.70	28.70	32.70	20.05		X-Y	3-1903330-3



THIS DRAWING IS A CONTROLLED DOCUMENT FOR TYCO ELECTRONICS CORPORATION IT IS SUBJECT TO CHANGE AND THE CONTROLLING ENGINEERING ORGANIZATION SHOULD BE CONTACTED FOR THE LATEST REVISION.		DWN: M. MAEBASHI 01MAY2006 CHK: T. KUDO 01MAY2006 APVD: D. MITSUGI 01MAY2006	tyco Electronics Tyco Electronics AMP K.K. Kawasaki, Japan
DIMENSIONS: 単位: 概 mm	TOLERANCES UNLESS OTHERWISE SPECIFIED: 一般公差 ±0.3, ±3° 0-PLC ±0.5 1-PLC ±0.5 2-PLC ±0.13 3-PLC ±0.013 4-PLC ±0.001 ANGLES ± FINISH 仕	PRODUCT SPEC 108-78182 APPLICATION SPEC 114-5369 WEIGHT 10.02 g	NAME 名称 DYNAMIC D4200M 6.35mm PITCH TAB HSG (FREE HANGING TYPE) 6POS SIZE CAGE CODE DRAWING NO RESTRICTED TO A200779 C-1903330 - SCALE 3:1 SHEET 1 OF 1 REV AI
MATERIAL 材料		CUSTOMER DRAWING	