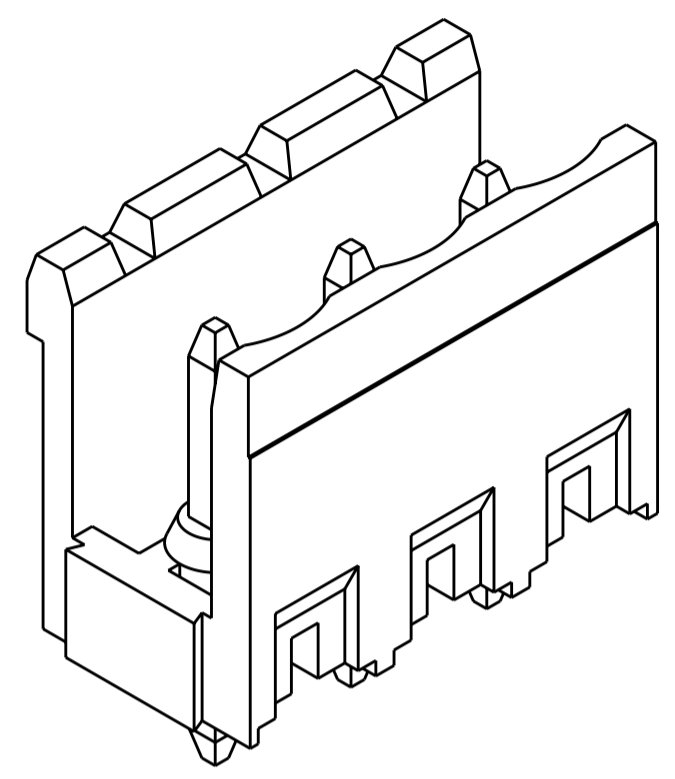
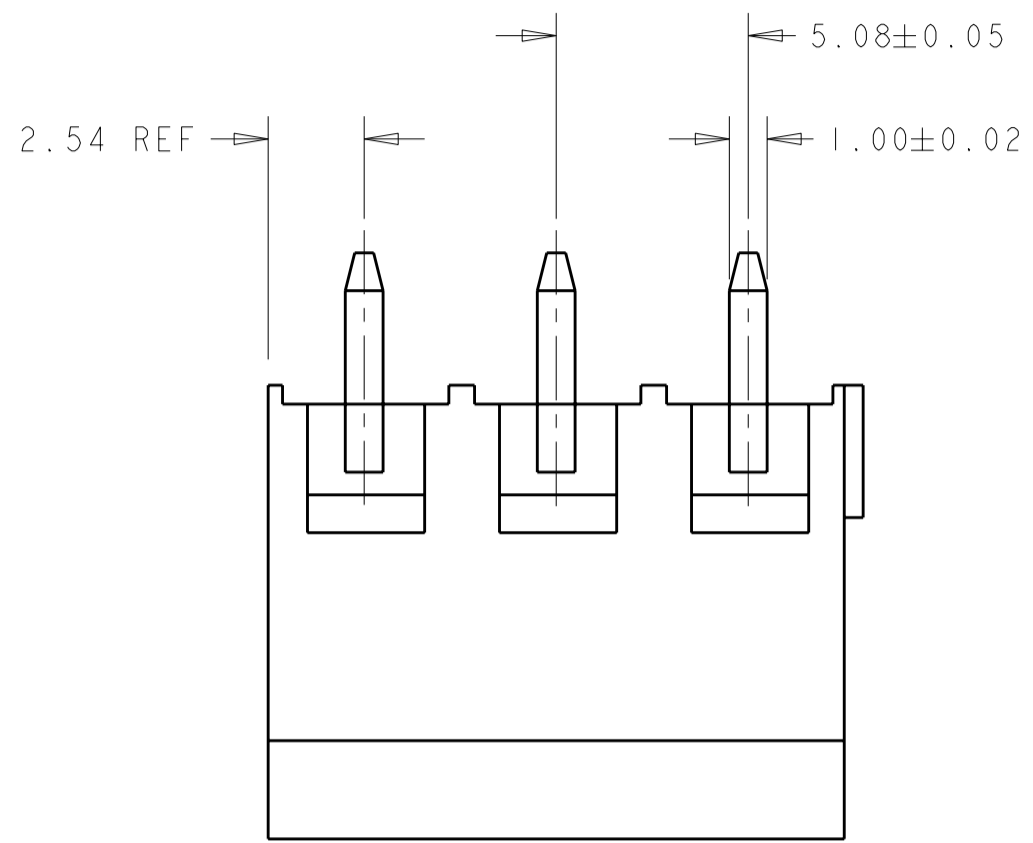


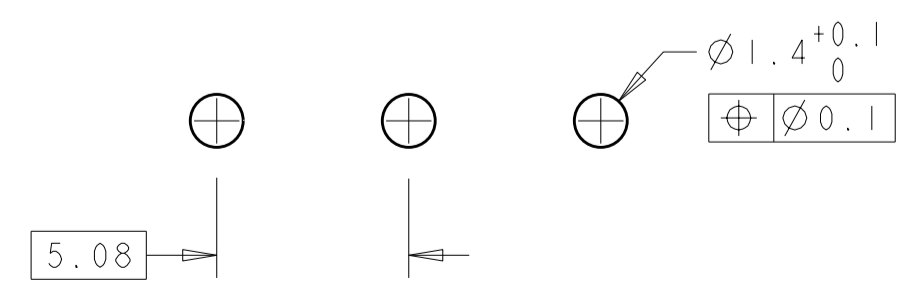
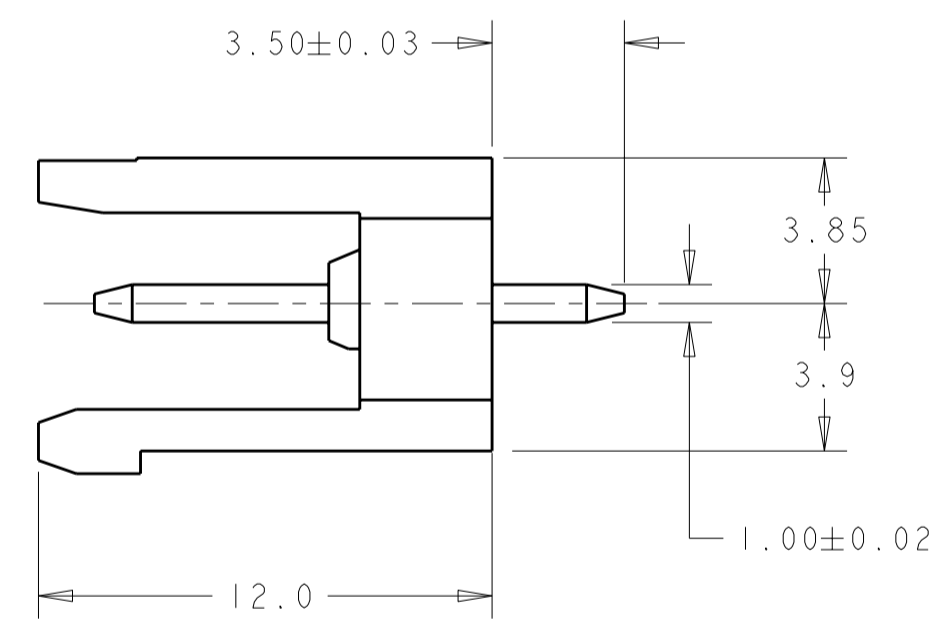
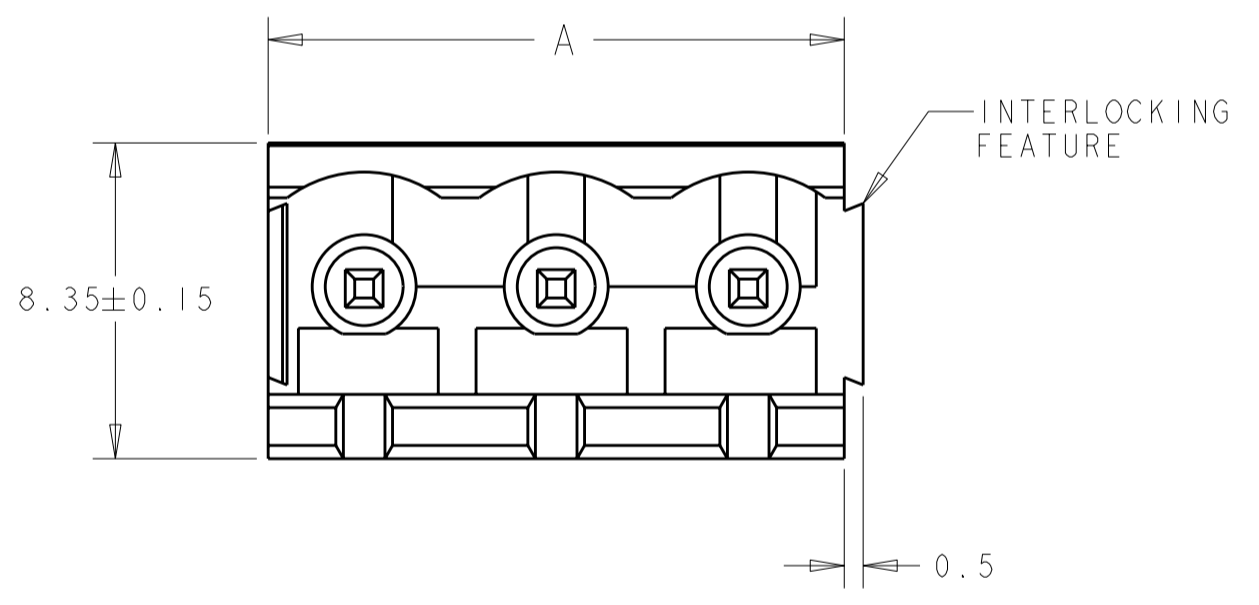
THIS DRAWING IS UNPUBLISHED. RELEASED FOR PUBLICATION 20
 © COPYRIGHT 20 Tyco Electronics AMP GmbH ALL RIGHTS RESERVED.

LOC	DIST	REVISIONS			
P	LTR	DESCRIPTION	DATE	DWN	APVD
FT	0	01 REVISED PER ECO-12-007711	26APR2012	KH	MS



1776143-3 AS SHOWN

- 1. MATERIALS AND FINISH
 HOUSING: HIGH TEMPERATURE POLYAMIDE, UL 94V-0 RATED,
 COLOR: BLACK.
 TERMINAL: COPPER ALLOY, TIN PLATED.
- 2. SUITABLE FOR 1,6-2,4mm PC BOARD THICKNESS.
- 3. END-TO-END STACKABLE WITHOUT LOSS OF CENTERLINE SPACING.
- 4. RECOGNIZED UNDER THE COMPONENT PROGRAM OF UNDERWRITERS LABORATORIES INC., FILE N° E60677.
- 5. IMQ CERTIFICATE WITH SURVEILLANCE IN CONFORMITY WITH IEC 998-1/998-2-1.
- 6. UL RATING: 300V, 15A.



RECOMMENDED PC BOARD LAYOUT

20.32	4	1776143-4
15.24	3	1776143-3
10.16	2	1776143-2
A	NO OF POSN	PART NUMBER

THIS DRAWING IS A CONTROLLED DOCUMENT.		DWN S. WELDON 28JUN2005	STE TE Connectivity	
DIMENSIONS: mm		CHK C. RICHARD 28JUN2005		
TOLERANCES UNLESS OTHERWISE SPECIFIED:		APVD C. RICHARD 28JUN2005	NAME	
0 PLC ±-	1 PLC ±.2	PRODUCT SPEC	TERMINAL BLOCK HEADER ASSEMBLY	
2 PLC ±.25	3 PLC ±-	APPLICATION SPEC	180 DEGREE, OPEN ENDS, STACKING	
4 PLC ±-	ANGLES ±2	WEIGHT	SIZE	RESTRICTED TO
FINISH		114-20079	A200779	C-1776143
MATERIAL		CUSTOMER DRAWING	SCALE 5:1	SHEET 1 OF 1 REV 01