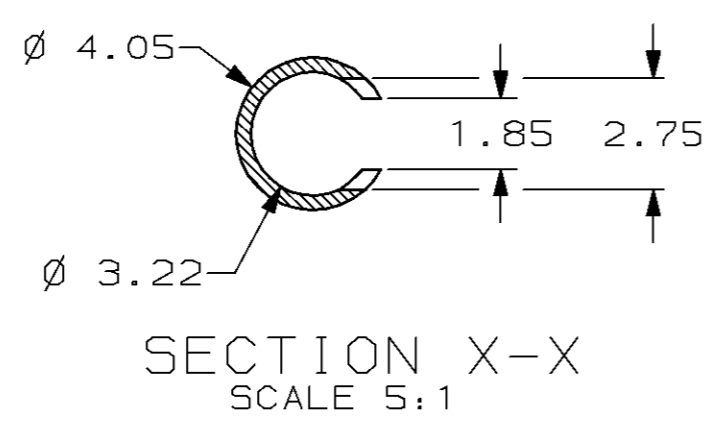
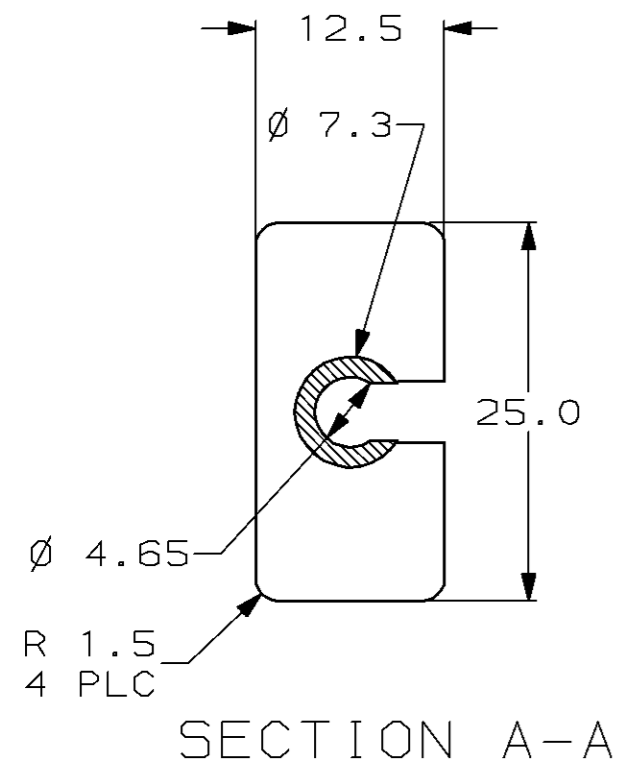
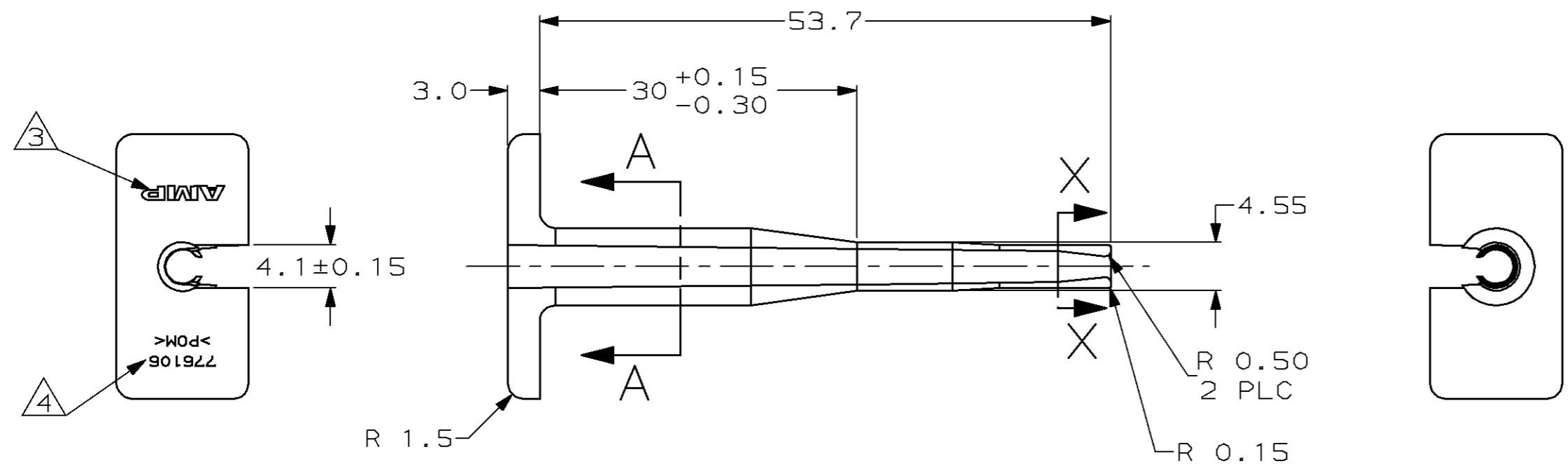


THIS DRAWING IS UNPUBLISHED. RELEASED FOR PUBLICATION ,19 .
 © COPYRIGHT 19 BY AMP INCORPORATED. ALL RIGHTS RESERVED.

LOC	DIST	REVISIONS			
P	LTR	DESCRIPTION	DATE	DWN	APVD
GE	55				
	0	PR 96025 - WAS 94-6901-111	12-17-96	PY	WL
	A	REV PER EC# 0K80-0056-98	4-6-98	PC	WL



- TOOL IS FOR USE WITH SOCKET CONTACT ASSEMBLY P/N 776093-1 AND PIN P/N 95-6901-12.
- MATERIAL : ACETAL (DELIN), COLOR: RED
- AMP LOGO SHALL BE LOCATED APPROXIMATELY AS SHOWN.
- APPLY POLYMER I.D. CHARACTERS AND PART NUMBER CHARACTERS LOCATED APPROXIMATELY AS SHOWN.

776106-1
PART NUMBER

THIS DRAWING IS A CONTROLLED DOCUMENT.		DWN P. YEAGER	12-17-96	AMP Incorporated Harrisburg, PA 17105-3608
DIMENSIONS: mm		CHK W. LONG	12-17-96	
TOLERANCES UNLESS OTHERWISE SPECIFIED:		APVD W. LONG	12-17-96	
0 PLC ±- 1 PLC ±0.3 2 PLC ±0.10 3 PLC ±- 4 PLC ±- ANGLES ±1°		PRODUCT SPEC	-	
MATERIAL	FINISH	APPLICATION SPEC		NAME EXTRACTION TOOL
2	-	SIZE	CAGE CODE	
CUSTOMER DRAWING		WEIGHT		RESTRICTED TO
		A3 00779 C-776106		-
		SCALE	SHEET	REV
		2:1	1 OF 1	A