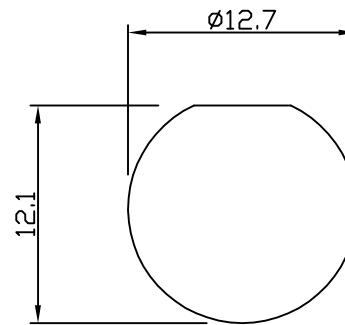
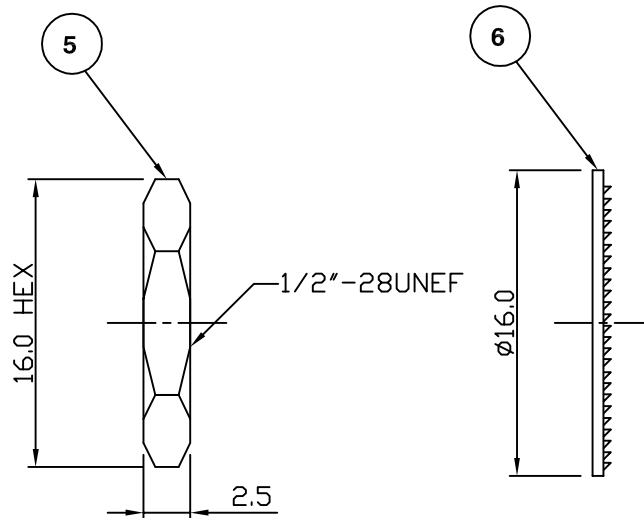
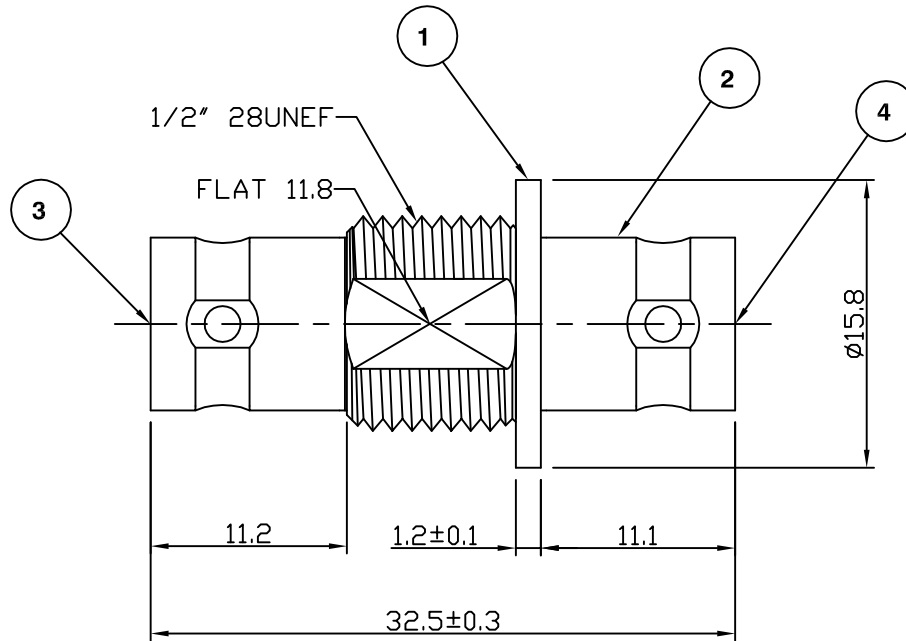


RoHS COMPLIANT



PANEL CUTOUT

Electrical Characteristics

Nominal Impedance:	50 ohms
Frequency Range:	DC to 4 GHz
Operating Voltage (rms):	500 V maximum at sea level
Dielectric Withstand Voltage (rms):	1500 V maximum at sea level
Contact Resistance:	1.5 milliohms maximum
Insulation Resistance:	5000 megohms minimum

Mechanical Characteristics

Mating Cycles:	500 cycles minimum
Interface Dimensions:	Conform to MIL-C-39012

Environmental Characteristics

Temperature Range:	-55 °C to +85 °C
--------------------	------------------

PART	DESCRIPTION
1	Body ABS
2	Body Brass, nickel plated
3	Insulator POM
4	Contact Brass, gold plated
5	Hex Nut Brass, nickel plated
6	Lock Washer Steel, nickel plated

DESCRIPTION OF REVISION	APPVD	ISS	DATE
Nut & washer added	JW	4	04 Apr 06
CAD Issue	SN	3	28 Jul 03
Pin Plating corrected to gold	PDC	2	25 Aug 00
First Issue	AT	1	23 May 96



Cinch Connectivity Solutions
7-13 Russel Way,
Widford Industrial Estate,
Chelmsford, Essex,
CM1 3AA, UK.
Tel: +44 (0) 1245 359515
Fax: +44 (0) 1245 358938

SCALE: Not To Scale

DIMENSIONS: mm

TOLERANCES:
± 0.2mm unless
otherwise stated

DRAWN BY:

J Williams

CHECKED BY:

M Terry

APPROVED BY:

A Tusi

DATE:

04 Apr 06

TITLE:

Insulated BNC Bulkhead
Jack to BNC Jack

PART NUMBER:

VBI100-1

PAGE: 1 of 1