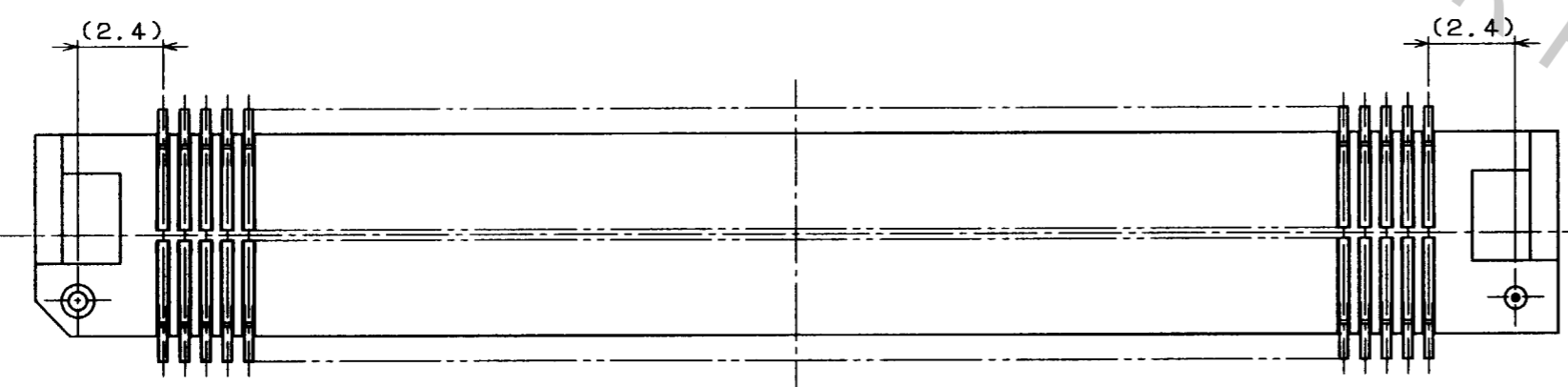
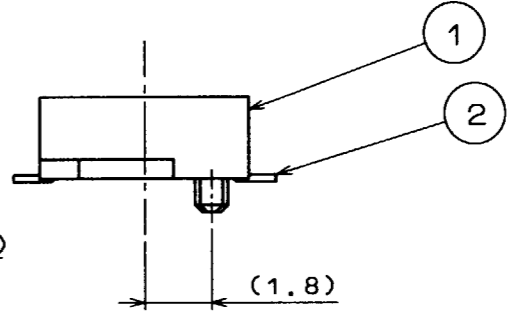
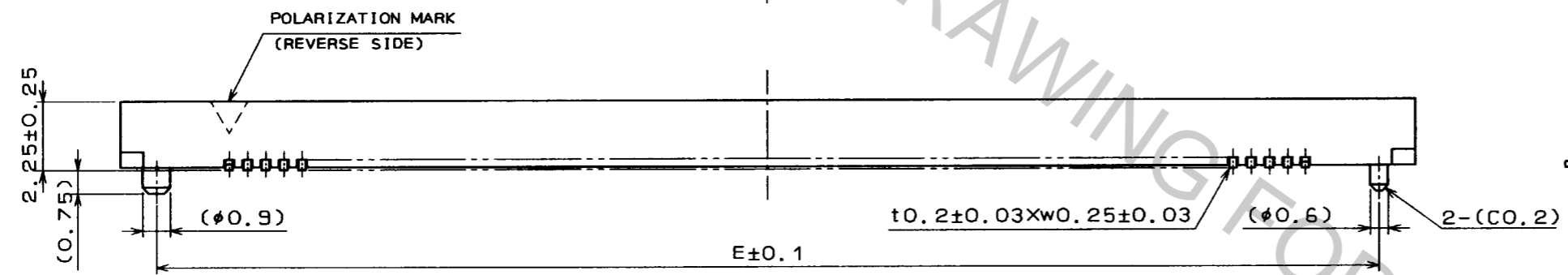
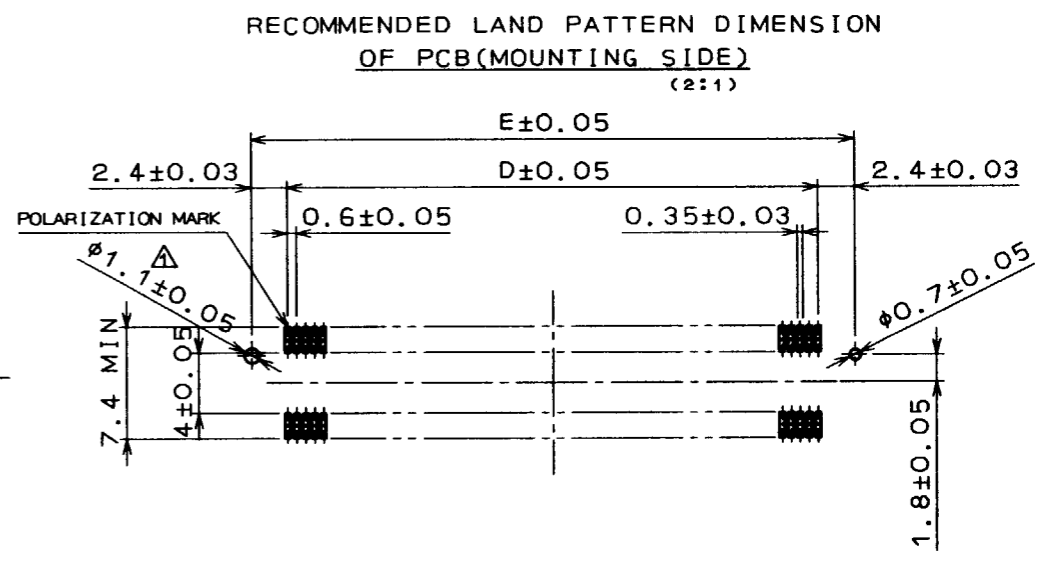
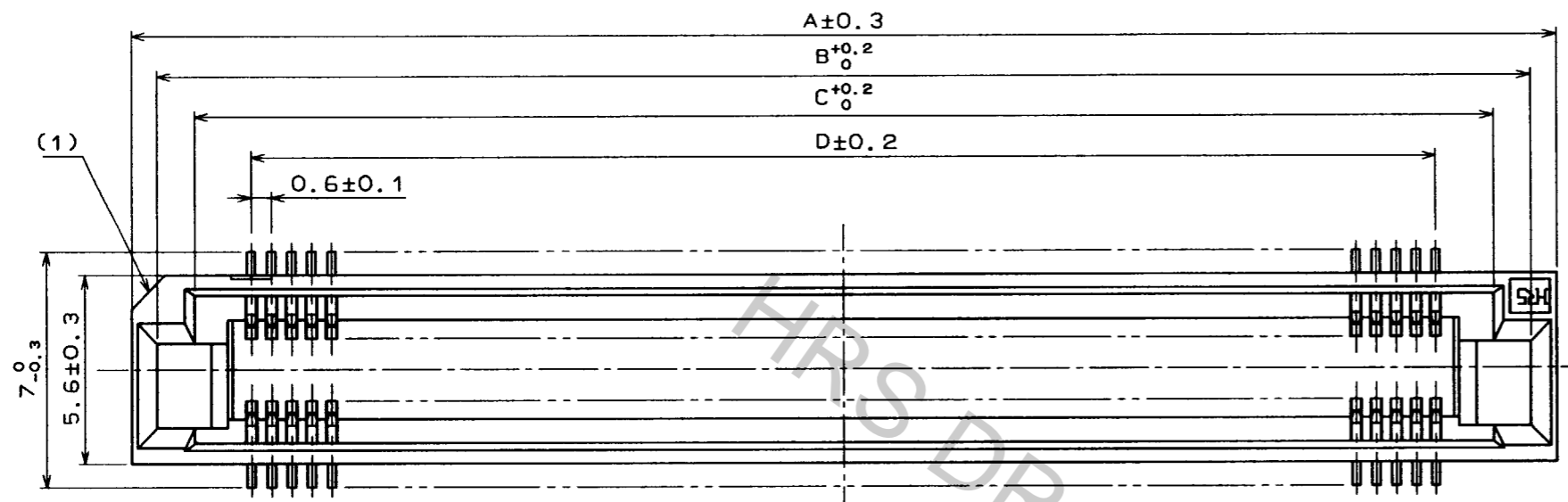


Apr.1.2017 Copyright 2017 HIROSE ELECTRIC CO., LTD. All Rights Reserved.

COUNT	DESCRIPTION OF REVISIONS	BY	CHKD	DATE	COUNT	DESCRIPTION OF REVISIONS	BY	CHKD	DATE
1	RE-F-4613	S.M	M.T	'96.4.2					



NUMBER OF CONTACT	PART NO.	CODE NO.	DRAWING NO.	A	B	C	D	E
60	FX8-60S-SV(21)	CL578-0201-5-21	ADC3-150674-01	24.6	23.05	20.8	17.4	22.2
80	FX8-80S-SV(21)	CL578-0203-0-21	ADC3-150740-01	30.6	29.05	26.8	23.4	28.2
90	FX8-90S-SV(21)	CL578-0204-3-21	ADC3-150675-01	33.6	32.05	29.8	26.4	31.2
100	FX8-100S-SV(21)	CL578-0205-6-21	ADC3-150676-01	36.6	35.05	32.8	29.4	34.2
120	FX8-120S-SV(21)	CL578-0206-9-21	ADC3-150677-01	42.6	41.05	38.8	35.4	40.2
140	FX8-140S-SV(21)	CL578-0207-1-21	ADC3-150678-01	48.6	47.05	44.8	41.4	46.2

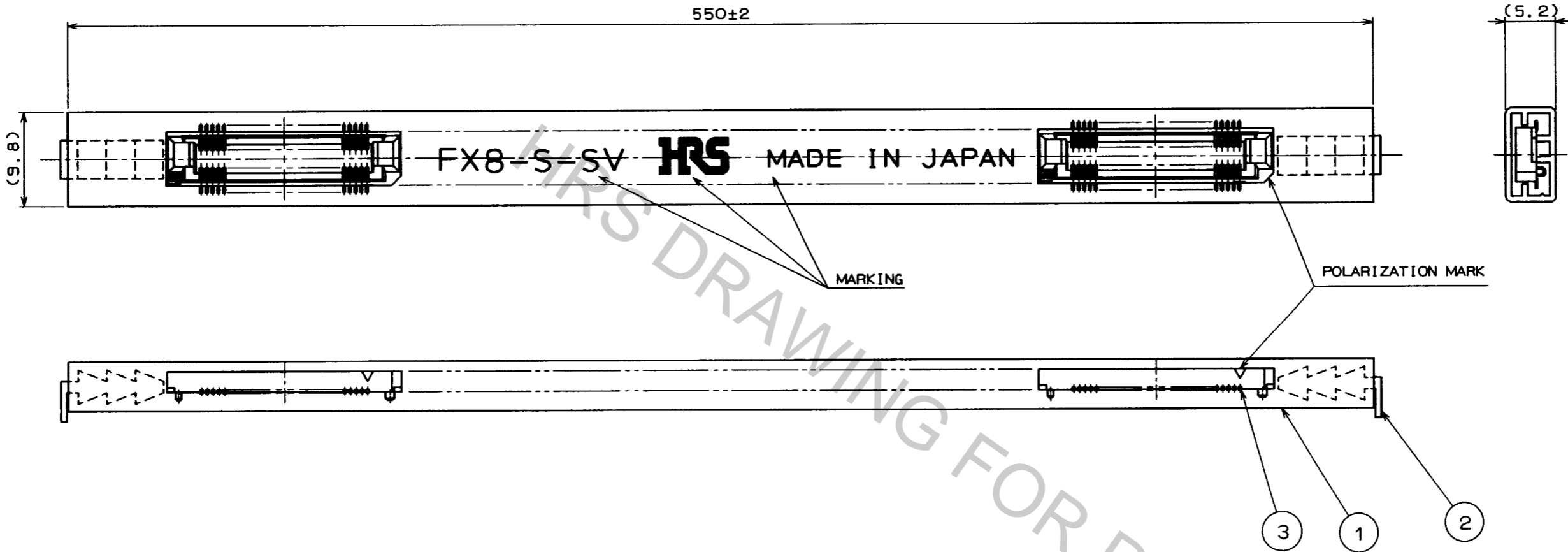
NOTE 1 READ CO-PLANARITY SHALL BE 0.1mm.  
 2 FOR DETAILS, SEE THE SECTION CONCERNING THE DELIVERY FORM ON NEXT PAGE.  
 3 FOR MODIFICATION, ETC., PREVENTIVE HOLE FOR SINK MARK MAY BE ADDED DEPENDS ON CIRCUMSTANCES.

2	PHOSPHOR BRONZE	CONTACT AREA: GOLD(0.1μm) OVER NICKEL OTHERS: GOLD(FLASH) OVER NICKEL	1	PPS	LIGHT BROWN (UL94V-0)
NO.	MATERIAL	FINISH, REMARKS	NO.	MATERIAL	FINISH, REMARKS
CODE NO. (OLD)			DRAWN	DESIGNED	CHECKED
			S. Morita	J. Matsukawa	M. Tomita
			950420	950420	950420
DRAWING NO. EDC3-150730-01			PART NO. FX8-***S-SV(21)		
UNITS mm			CODE NO. CL578		

TO  
PCM

Apr.1.2017 Copyright 2017 HIROSE ELECTRIC CO., LTD. All Rights Reserved.

COUNT	DESCRIPTION OF REVISIONS	BY	CHKD	DATE	COUNT	DESCRIPTION OF REVISIONS	BY	CHKD	DATE
△				..	△				..
△				..	△				..
△				..	△				..



DELIVERY FORM(TUBE PACKAGING)

NUMBER OF CONTACTS(CONTACTS)	60	80	90	100	120	140
PRODUCT CONTENT(PCS)	21	17	15	14	12	10

TO  
PCM

2	POLYVINYLCHLORIDE	STOPPER			
1	POLYVINYLCHLORIDE	TUBE	3	(CONNECTOR)	
NO.	MATERIAL	FINISH , REMARKS	NO.	MATERIAL	FINISH , REMARKS
CODE NO. (OLD)		DRAWN	DESIGNED	CHECKED	APPROVED
		<i>S. Mouta</i>	<i>M. Matsukawa</i>	<i>M. Tomita</i>	<i>Z. Yoshimura</i>
		95.10.31	95.10.31	95.11.1	95.11.1
SCALE	DRAWING NO.		PART NO.		
2 : 1	EDC3-150730-01		FX8-***S-SV(21)		
UNITS	HRS HIROSE ELECTRIC CO.,LTD.		CODE NO.		
mm			CL578		2/2