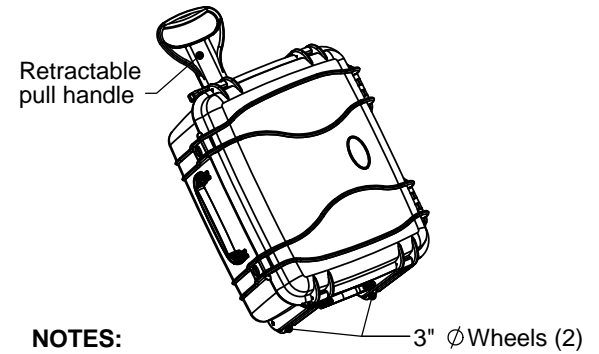
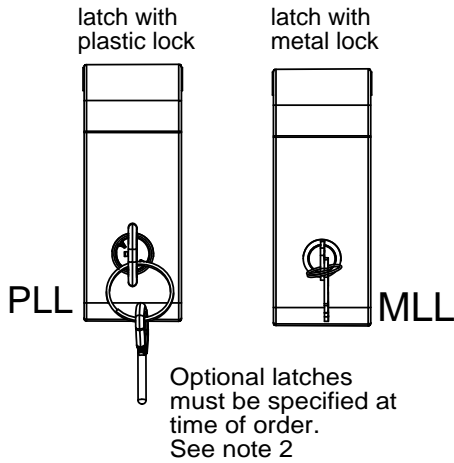
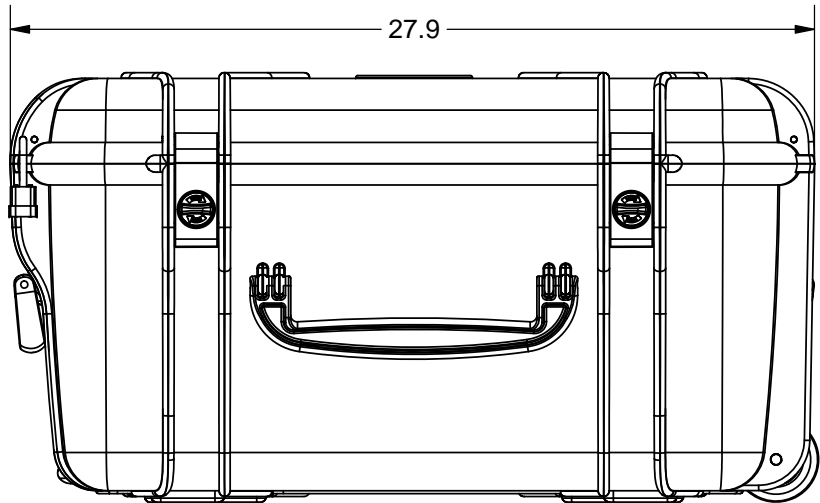
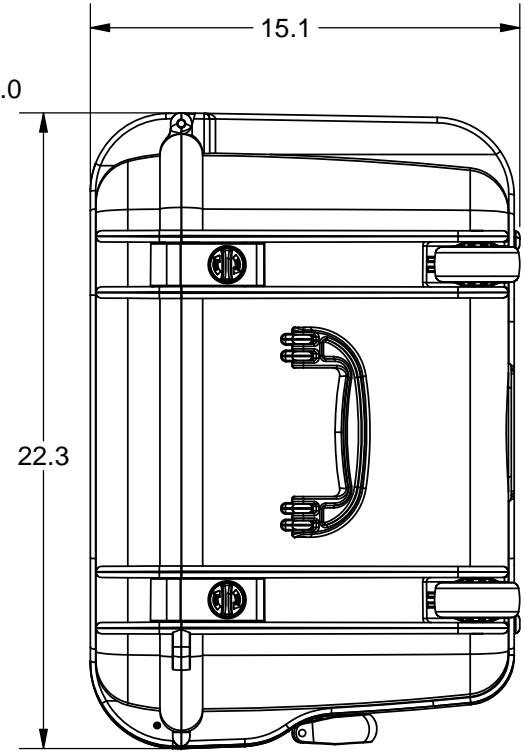
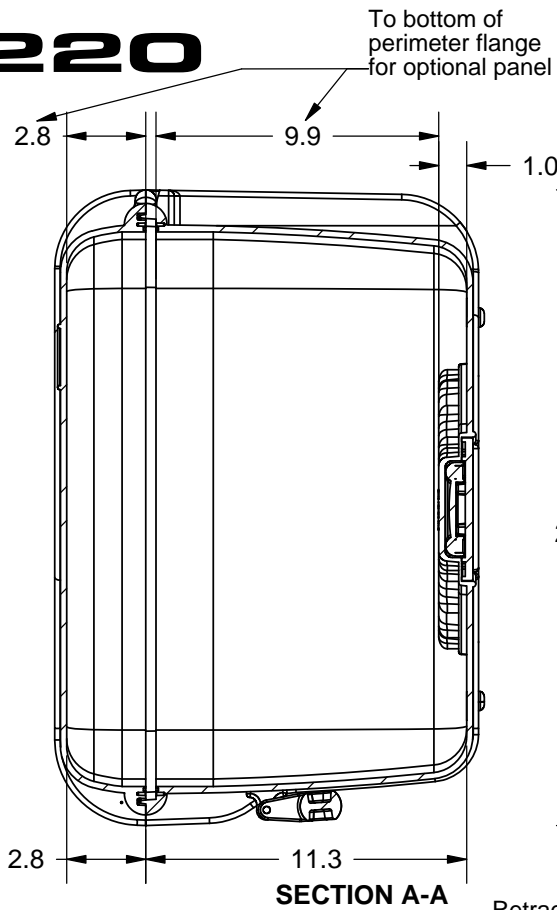
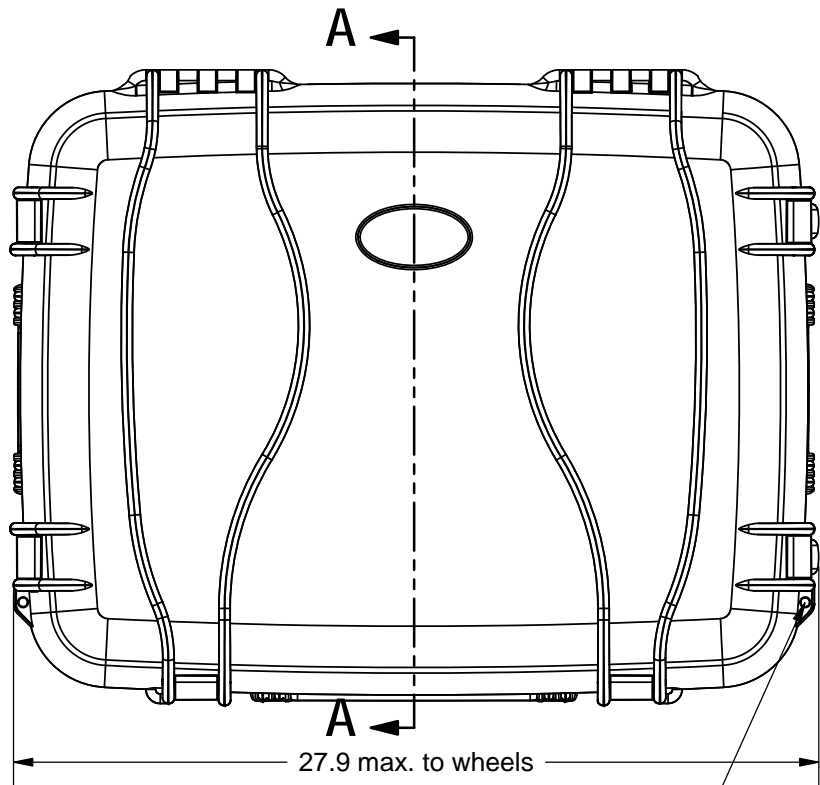


SERPAC SE1220

Electronic Enclosures



- NOTES:**
- 1) Max. usable inside dimensions are:
25 11/16" X 19 1/2" X 13 1/8" (13 7/8" bottom of boss)
 (25.7" X 19.5" X 13.1")
 - 2) With Metal Lock Latches p/n SE1220ML and Plastic Lock Latches p/n SE1220PL are optional.
 - 3) Bosses on bottom use a 1/4 self tapping screw.