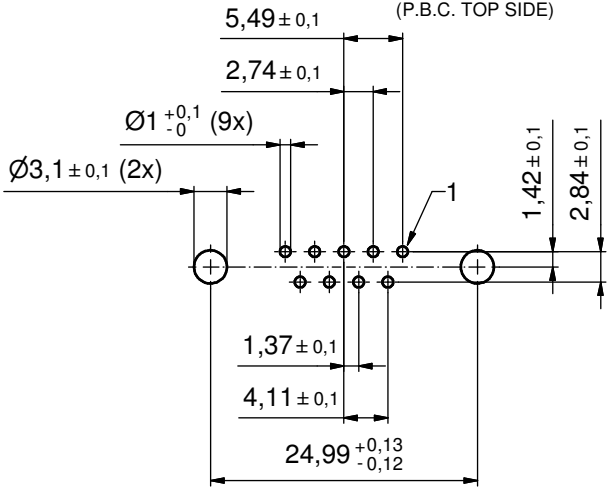
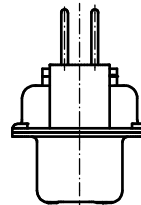
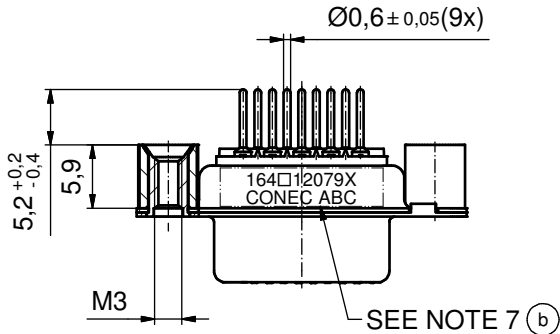
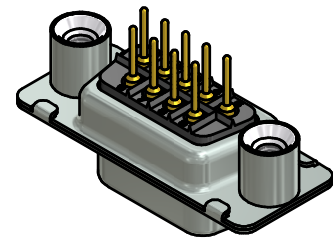
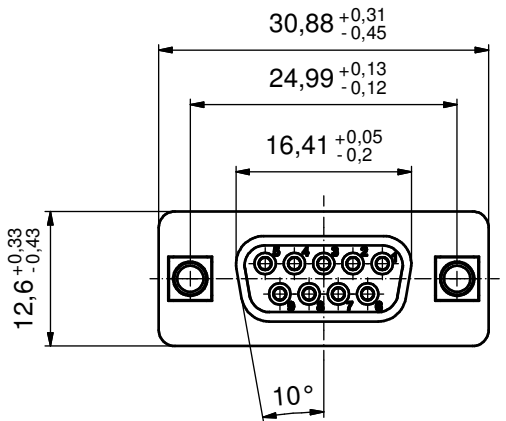
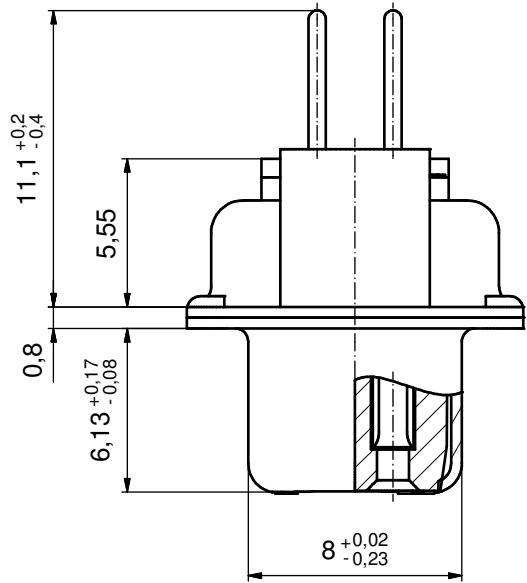


P.B.C. HOLE DRILLINGS
(P.B.C. TOP SIDE)



(5 : 1)



NOTES:

1. METALSHELLS: STEEL; min. 315µm TIN over 40-80µm NICKEL
2. INSULATORS: PBT GF UL 94 V-0, BLACK
3. CONTACTS: COPPER ALLOY; PLATING (SEE PART NO):
 - PLEASE ADD A for GOLD FLASH over NICKEL (PREFERRED TYPE)
 - PLEASE ADD B for 20µm HARD GOLD over min. 50µm NICKEL
 - PLEASE ADD C for 30µm HARD GOLD over min. 50µm NICKEL
4. THREADED REAR SPACERS: COPPER ALLOY; min. 200µm TIN over 80µm NICKEL
5. SLEEVES: COPPER ALLOY; min. 200µm TIN over 80µm NICKEL
6. MAXIMUM TORQUE VALUE FOR THREAD: 6 in.LB
7. CONNECTOR IS PART MARKED: **164□12079X CONEC ABC** (see note 3)

Directive 2002/95/EC RoHS compliant

THIS DRAWING MAY NOT BE COPIED OR REPRODUCED IN ANY WAY, AND MAY NOT BE PASSED ON TO A THIRD PARTY WITHOUT WRITTEN PERMISSION. OWNERSHIP AND COPYRIGHT OF CONEC GmbH DO NOT ALTER CAD DRAWING BY HAND	tolerance		dim. in mm		scale:	2:1 (5:1)		
					material:	see notes		
			date	name		title:		
			drawn	09.02.04 Lehmenkühler		D-SUB FEMALE 9pos. SOLDER PIN STRAIGHT with threaded rear spacer		
			appd.	09.02.04 Mickenbecker				
			norm					
		d-old			dwg no:			
3 x b	Ä5332	03.09.2014	Unkrüer			DIN-A3		
a	Original					sh: 1		
rev.	description	date	name	part no: (b) 164□12079X (see note 3)				