

Jumper - BRIDGE- 7-3M - 2901698

Please be informed that the data shown in this PDF Document is generated from our Online Catalog. Please find the complete data in the user's documentation. Our General Terms of Use for Downloads are valid (<http://phoenixcontact.com/download>)




3-phase loop bridge for 7 CONTACTRON modules, with screw connection and 22.5 mm housing width, connecting cable: 3 m, with ferrules included.

Why buy this product

- Only suitable for CONTACTRON series with screw connection ELR H3...-SC-..., ELR H5...-SC-..., ELR (W)3..., EMM...IFS
- Bridging of 2 to 10 devices with maximum module spacing of 22.5 mm
- Considerable reduction in wiring
- Up to 575 V AC/3 x 25 A

Key Commercial Data

Packing unit	1 STK
GTIN	 4 046356 624633
GTIN	4046356624633

Technical data

Dimensions

Length of the connecting cable	3 m
Width	22.5 mm

General

Operating voltage range	42 V AC ... 575 V AC
Operating current	≤ 25 A
Number of bridgeable modules	7
Connecting cable length	3 m
Color	green
Conductor cross section	2.5 mm ²

Environmental Product Compliance

China RoHS	Environmentally Friendly Use Period = 50
------------	--

Jumper - BRIDGE- 7-3M - 2901698

Technical data

Environmental Product Compliance

	For details about hazardous substances go to tab "Downloads", Category "Manufacturer's declaration"
--	---

Drawings

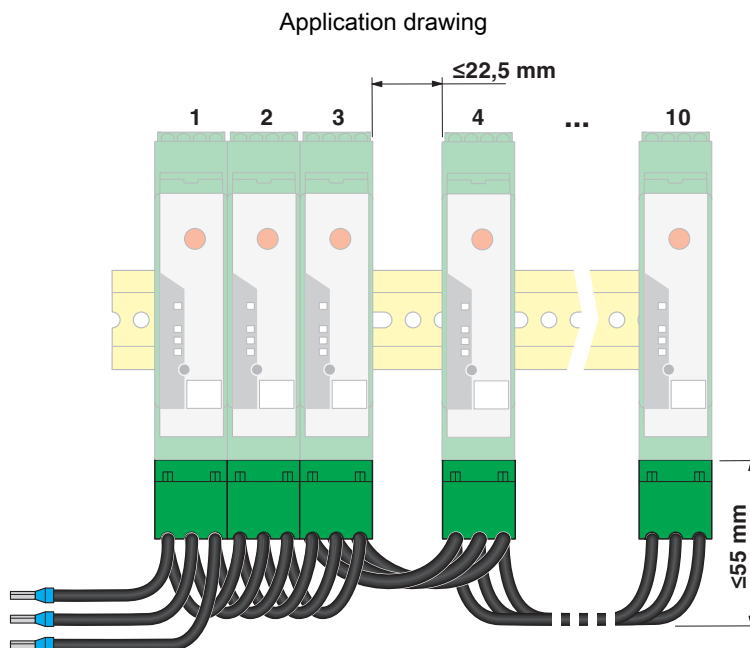


Figure shows the version BRIDGE- 4

Approvals

Approvals

Approvals

EAC

Ex Approvals

Approval details

EAC		RU C- DE.A*30.B.01742
-----	--	--------------------------

Phoenix Contact 2018 © - all rights reserved
<http://www.phoenixcontact.com>

PHOENIX CONTACT GmbH & Co. KG
Flachmarktstr. 8
32825 Blomberg
Germany
Tel. +49 5235 300
Fax +49 5235 3 41200
<http://www.phoenixcontact.com>