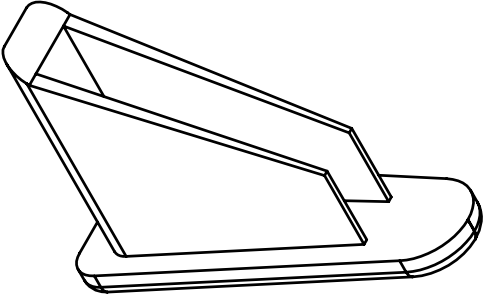
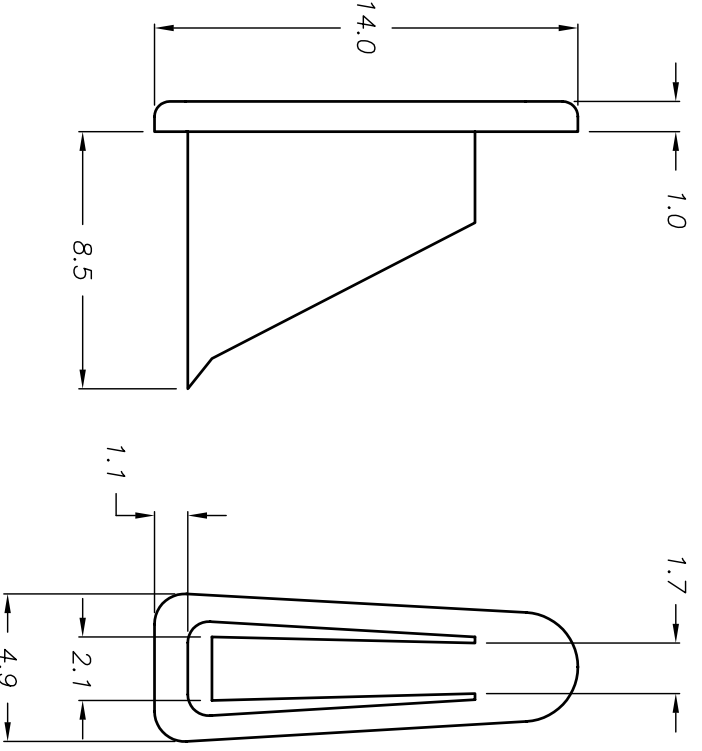


4 3 2 1

PART NO. ECAP1P		PLANT DISTRIBUTION CODE:	
REV #	REVISIONS	DATE	APPR.
--	INITIAL RELEASE	3-30	
	ECN BU-SB11316	2011	
A	REVISED TITLE	5-3	
	ECN BU-SB11501	2011	



CUSTOMER PRINT

TOLERANCES UNLESS OTHERWISE SPECIFIED		THIRD ANGLE PROJECTION		DESIGN UNITS	
METRIC	ENGLISH			METRIC (mm)	
1 PL DEC.=±0.25	2 PL DEC.=±.01	FRACTIONAL TOL	±1/64 IN	CREATED USING	AUTOCAD
2 PL DEC.=±0.13	3 PL DEC.=±.005	ANGULAR TOL	= ±1°		
		ANGULAR TOL	1PL=±0.5°		

COPYRIGHT — Cooper Industries, Inc.
 This is an unpublished work. The disclosure of this work is limited to a select personnel. Further dissemination or disclosure to the public is PROHIBITED. This unpublished work is protected by Federal Copyright Law and all rights thereunder are reserved by Cooper Industries, Inc.

CONFIDENTIAL —
 The information contained in this document is the property of Cooper Industries, Inc. It is not for public disclosure. Possession of the information does not convey any right to loan, sell or disclose the information. Unauthorized reproduction or use of the information is PROHIBITED. This document is to be returned to Cooper Industries, Inc. upon completion of the purpose for which it is loaned or upon request.

FINISH		USED ON	
DRAWN BY		DATE	
JG		3-30-11	
C/F NO.		SCALE	
83521		4:1	

TITLE		PART NO.	
COOPER Bussmann		ECAP1P	
St. Louis, MO 63178		SHT 1 OF 1	
SINGLE PHASE END CAP		SIZE: A	

REV 11/93 4 3 2 1