

4

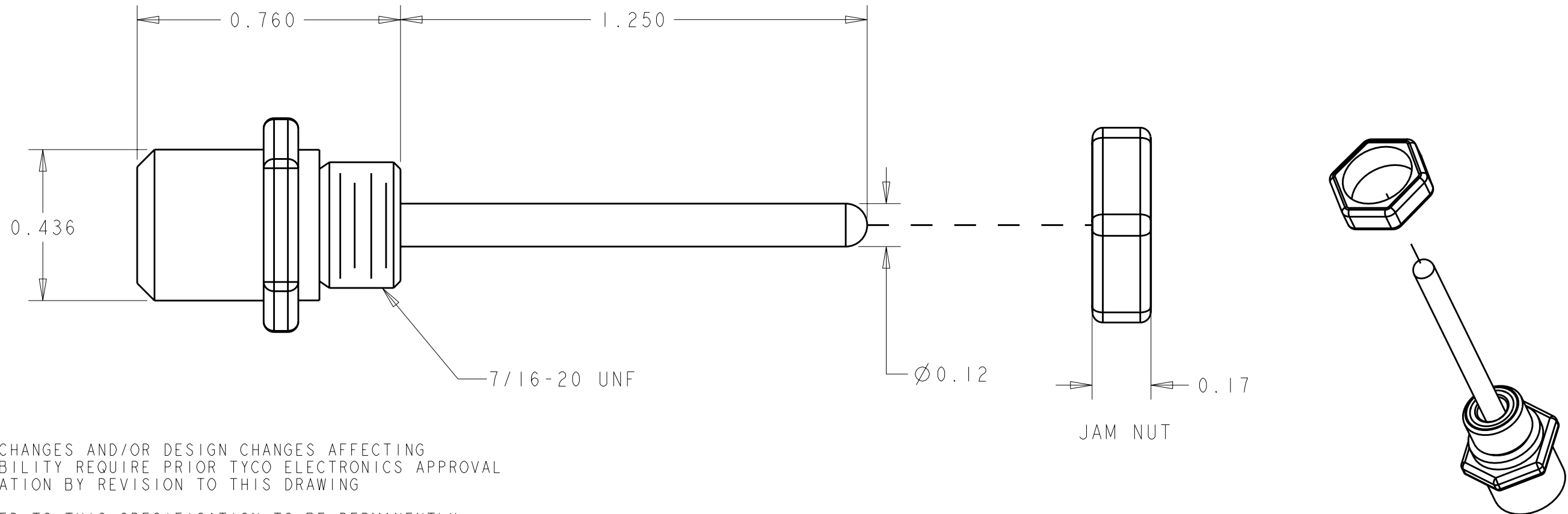
3

2

1

THIS DRAWING IS UNPUBLISHED. RELEASED FOR PUBLICATION 20
 © COPYRIGHT 20 BY TYCO ELECTRONICS CORPORATION. ALL RIGHTS RESERVED.

LOC	DIST	REVISIONS			
P	LTR	DESCRIPTION	DATE	DWN	APVD
-	-	A	NEW RELEASE	28OCT2008	CR DO



- PART NUMBER CHANGES AND/OR DESIGN CHANGES AFFECTING INTERCHANGEABILITY REQUIRE PRIOR TYCO ELECTRONICS APPROVAL AND AUTHORIZATION BY REVISION TO THIS DRAWING
- ITEMS PROVIDED TO THIS SPECIFICATION TO BE PERMANENTLY IDENTIFIED PER THE FOLLOWING IDENTIFIER LABEL

TYCO ELECTRONICS P/N: XXXXXXXX-X
 DATE CODE (e.g. 0106): YEAR WEEK
 XXXX

SCALE 3:2

3 MATERIALS: PIN HOUSING: COPPER ALLOY
 CONTACT: COPPER ALLOY
 JAM NUT: COPPER ALLOY
 BUSHING: COPPER ALLOY
 CROWN BAND: COPPER ALLOY

4 FINISHES: PIN HOUSING: SILVER PLT: .000200/.000300 THK OVER
 NICKEL PLT: .000040 MIN THK
 CONTACT: SILVER PLT: .000200/.000300 THK OVER
 NICKEL PLT: .000040 MIN THK
 JAM NUT: SILVER PLT: .000100/.000200 THK OVER
 NICKEL PLT: .000040 MIN THK
 BUSHING: NICKEL PLT: .000040 MIN THK
 CROWN BAND: GOLD: .000040 MIN THK OVER
 NICKEL PLT: .000050 THK

THIS DRAWING IS A CONTROLLED DOCUMENT FOR TYCO ELECTRONICS CORPORATION
 IT IS SUBJECT TO CHANGE AND THE CONTROLLING ENGINEERING ORGANIZATION
 SHOULD BE CONTACTED FOR THE LATEST REVISION.

DIMENSIONS: INCHES	TOLERANCES UNLESS OTHERWISE SPECIFIED:
	0 PLC ±-
	1 PLC ±-
	2 PLC ±.02
	3 PLC ±.010
	4 PLC ±-
	ANGLES ±.5
MATERIAL	FINISH
3	4

DWN	28OCT2008
CHK	C. ROHLER
APVD	28OCT2008
APVD	D. ORRIS
APVD	M. PERCHERKE
PRODUCT SPEC	-
APPLICATION SPEC	-
WEIGHT	-
CUSTOMER DRAWING	

AS SHOWN	6643252-1
DESCRIPTION	PART NO.
Tyco Electronics Harrisburg, PA 17105-3608	
NAME: PIN, FLOAT SHORT VERSION ICCON	
SIZE: A3	CAGE CODE: 00779
DRAWING NO: C-6643252	RESTRICTED TO: -
SCALE: 3:1	SHEET 1 OF 1 REV A