

4

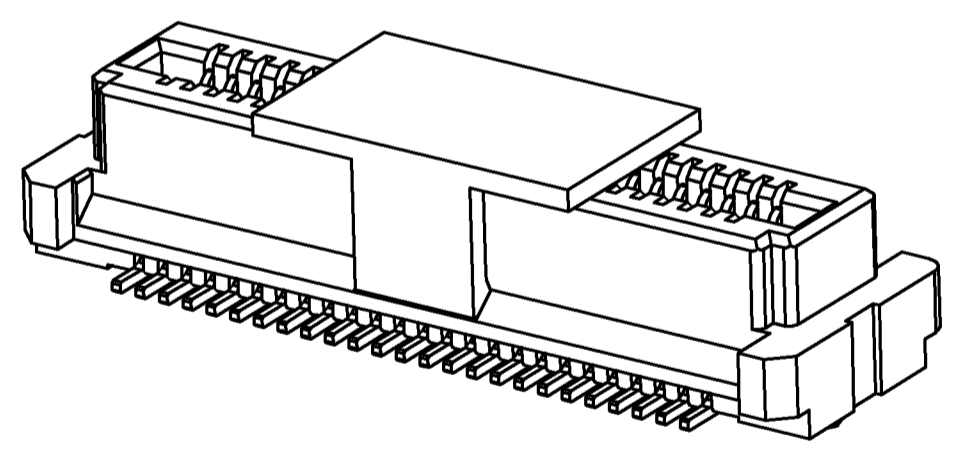
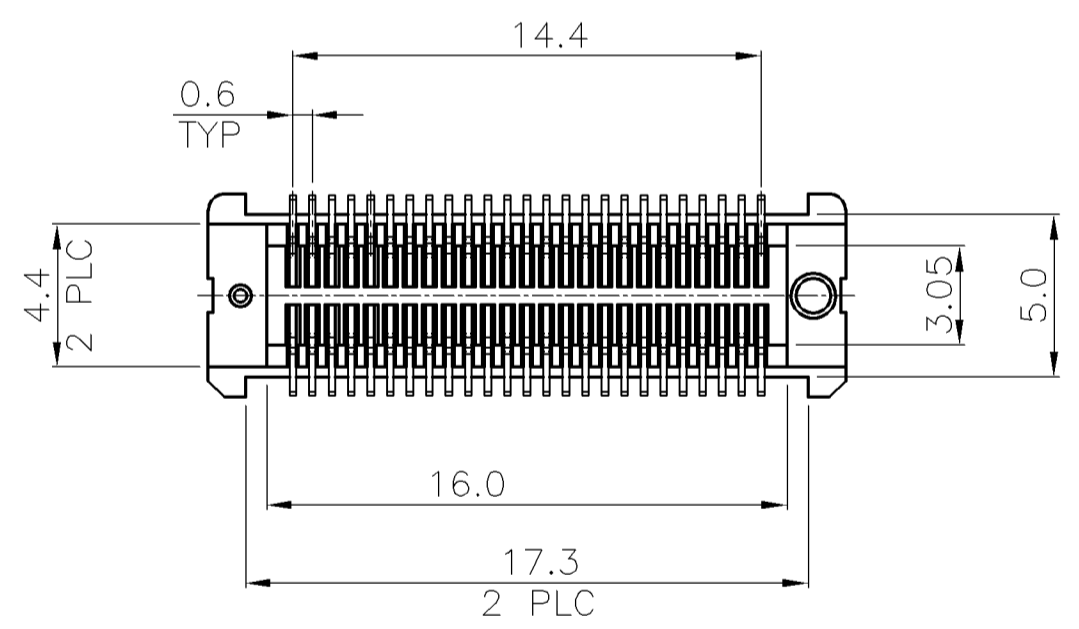
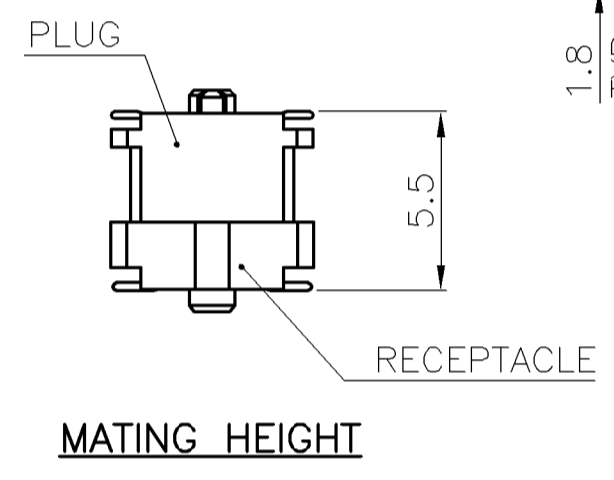
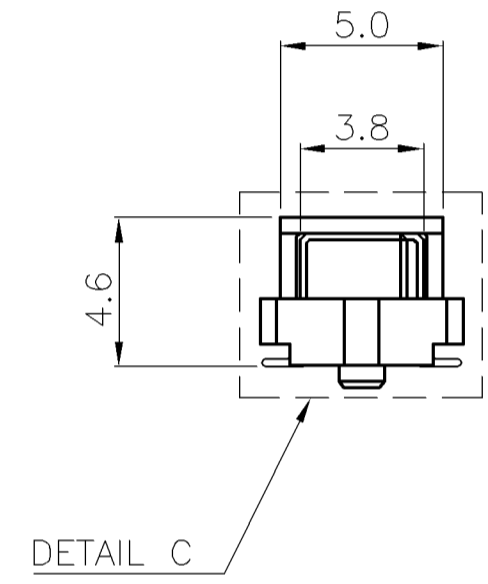
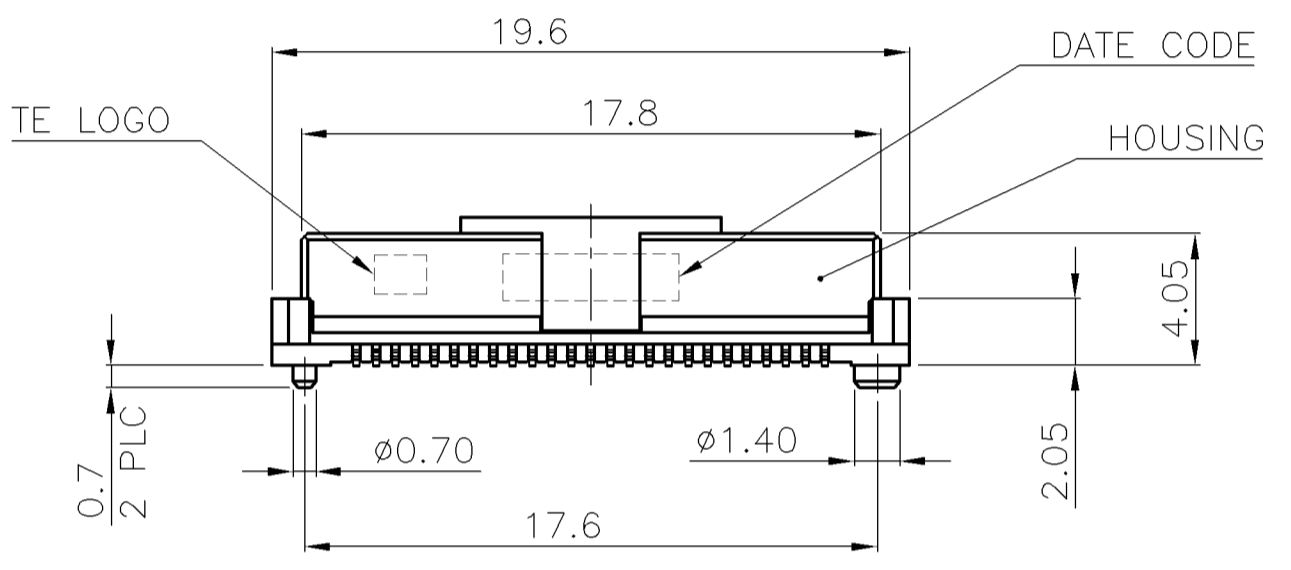
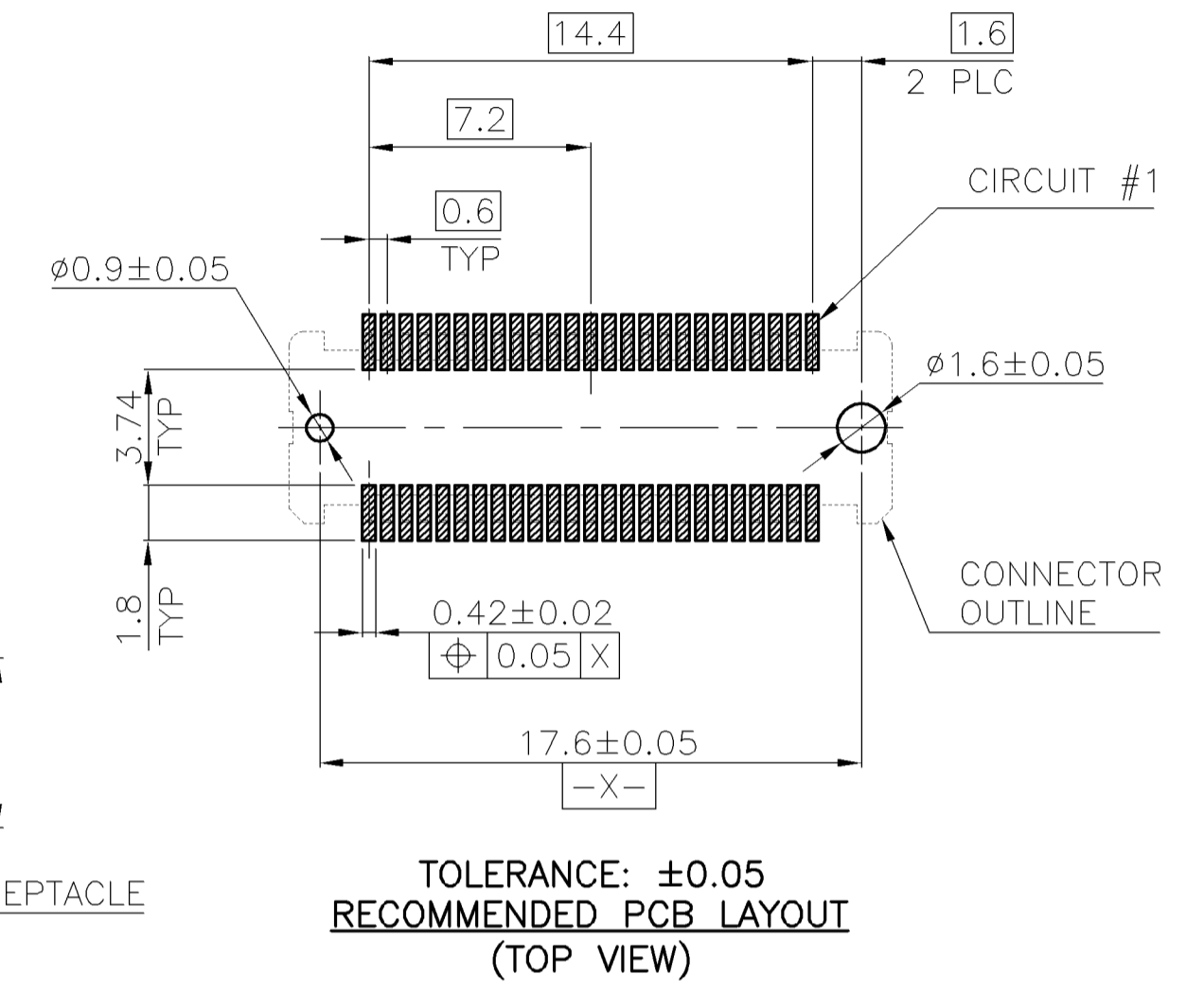
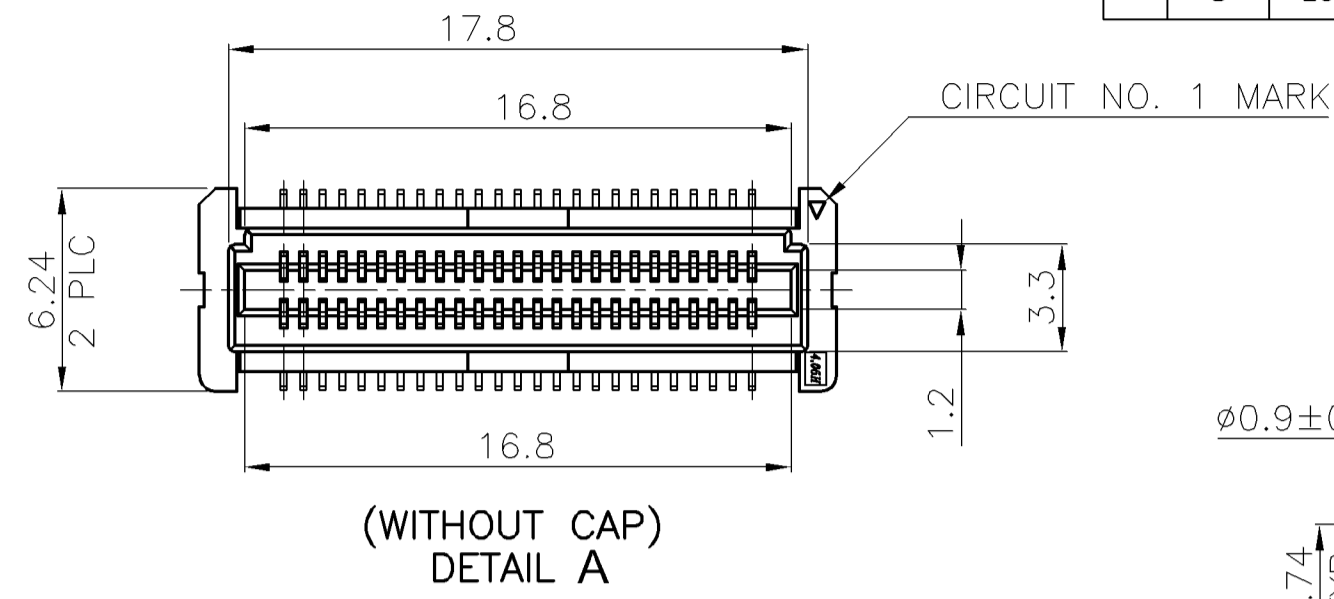
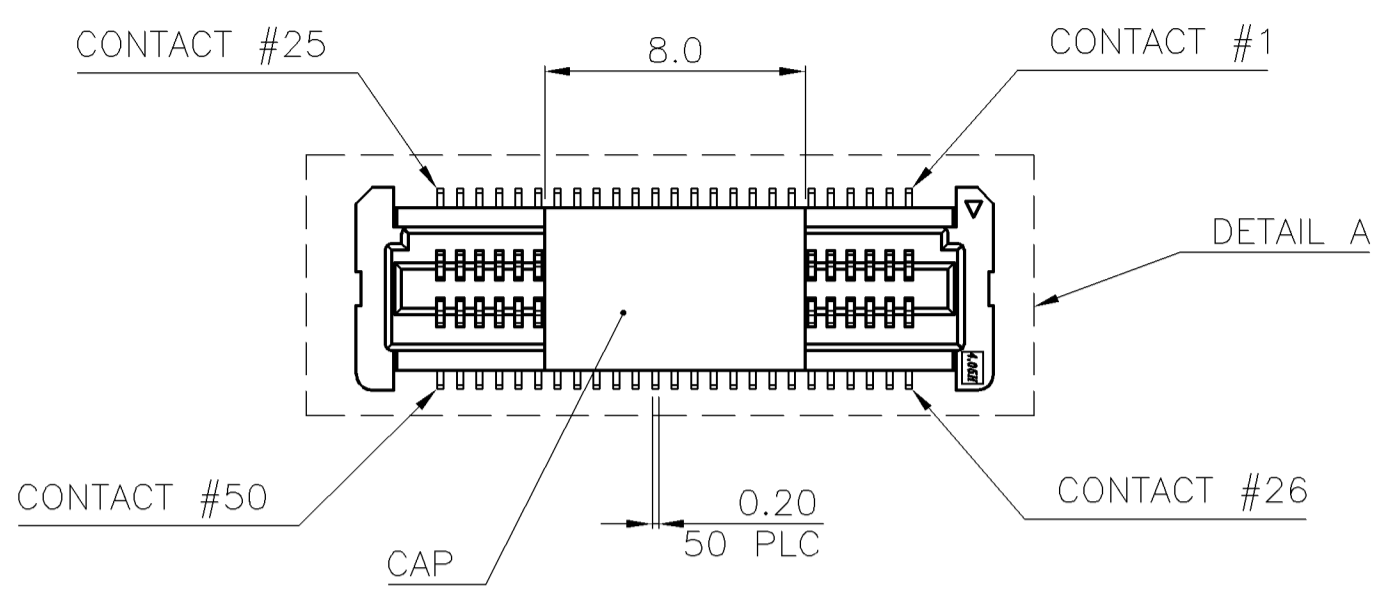
3

2

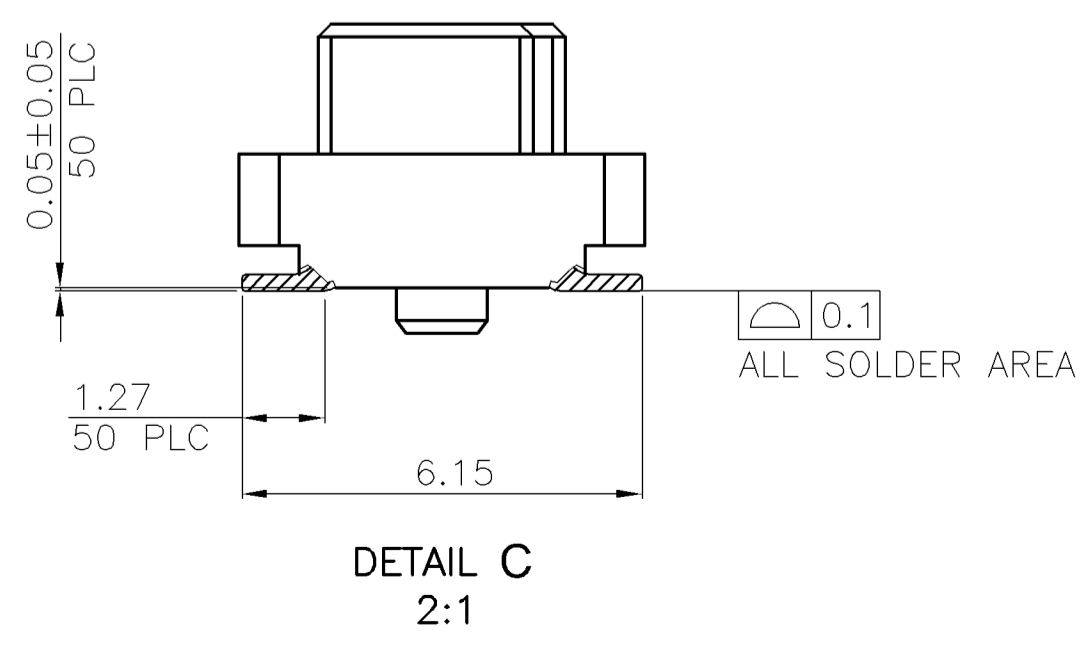
1

THIS DRAWING IS UNPUBLISHED. RELEASED FOR PUBLICATION  
 © COPYRIGHT BY TYCO ELECTRONICS CORPORATION. ALL RIGHTS RESERVED.

LOC	DW	DIST	REVISIONS		
P	LTR	DESCRIPTION	DATE	DWN	APVD
	C	ECR-09-010047	04MAY09	AW	WK



- NOTES:
- MATERIAL:  
 HOUSING: LCP WITH 35% GF, UL 94V-0, NATURAL COLOR.  
 CAP: LCP WITH 35% GF, UL 94V-0, NATURAL COLOR.  
 CONTACTS: PHOSPHOR BRONZE.
  - FINISH:  
 CONTACTS: GOLD FLASH PLATED ON CONTACT AREA, 3.05µm [120µ"] MIN. MATTE-TIN ON SOLDER TAIL, WITH ENTIRE CONTACT UNDERPLATED 1.27µm [50µ"] MIN. NICKEL.
  - REFLOW SOLDER CAPABLE TO 260°C PER TEC-109-201, CONDITION B.
  - MATING PLUG PART NUMBER: 1759898-1.

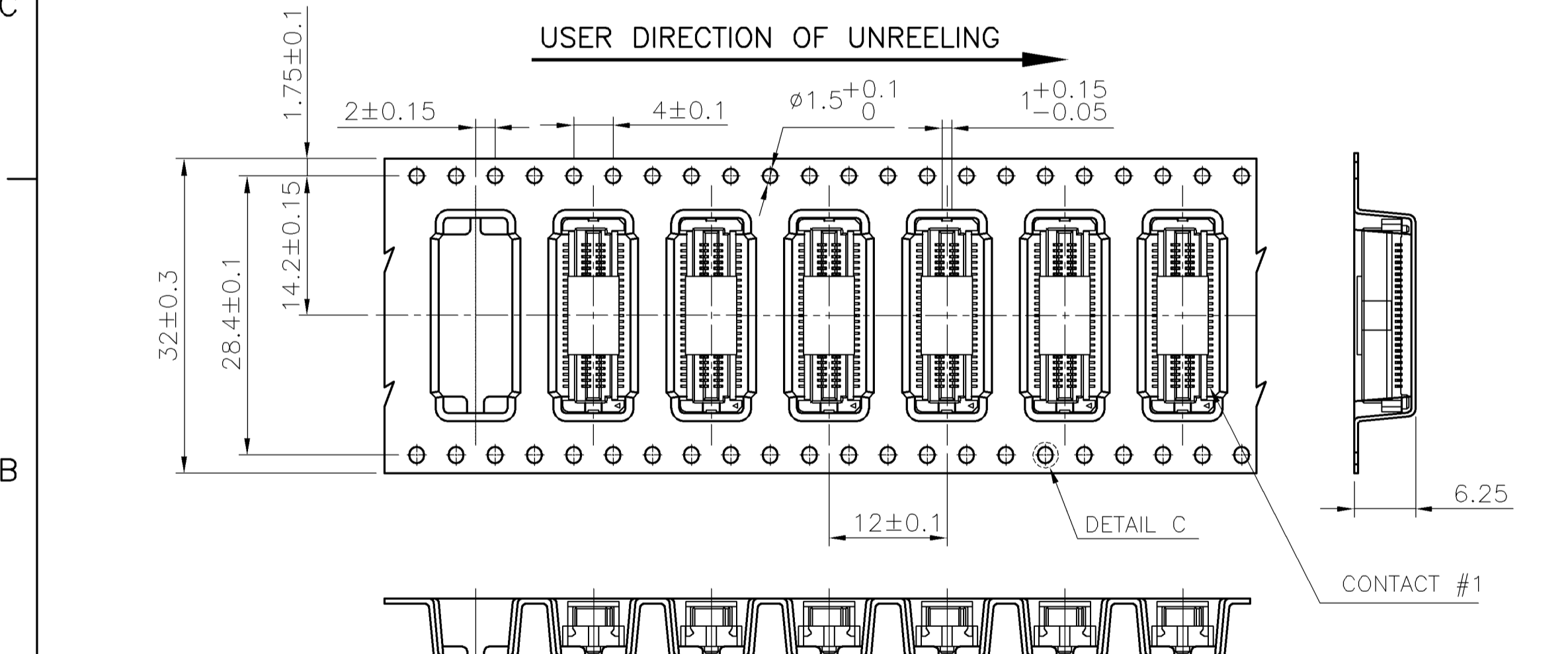
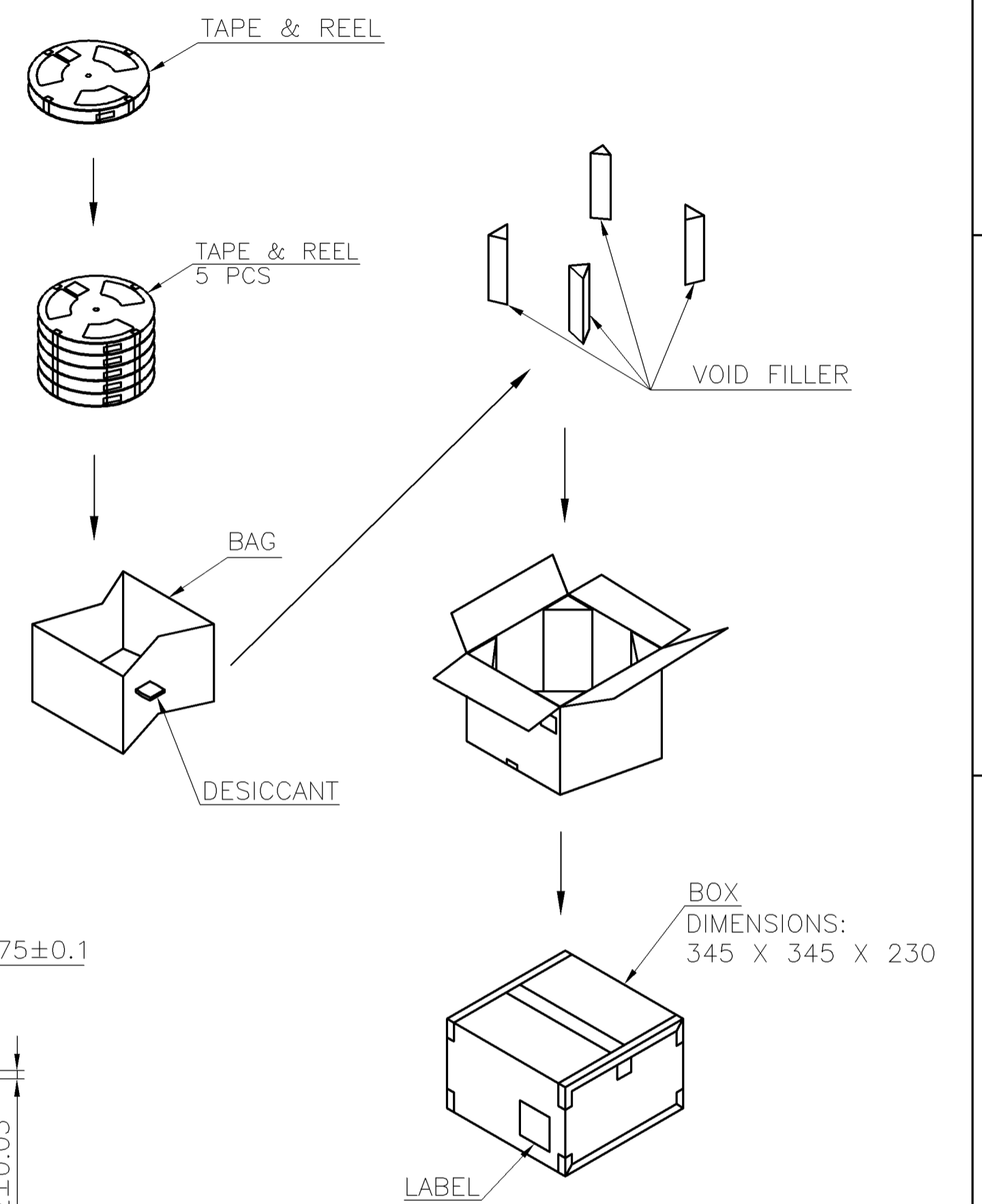
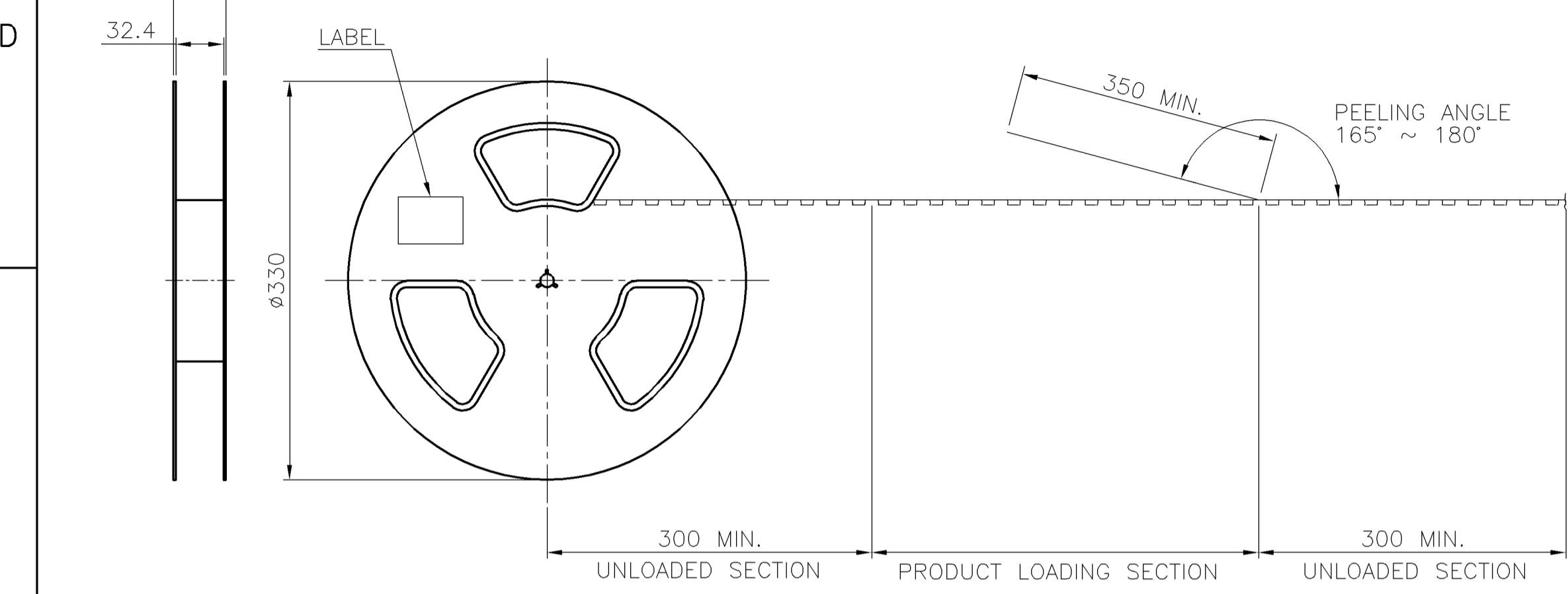


1759899-1  
 PART NUMBER

THIS DRAWING IS A CONTROLLED DOCUMENT.		DWN	A. WU	04MAY2009	Tyco Electronics Corporation Taipei, Taiwan
DIMENSIONS: MM		CHK	S. CHIEN	04MAY2009	
TOLERANCES UNLESS OTHERWISE SPECIFIED:		APVD	W. KODAMA	04MAY2009	NAME 0.6 MM PITCH BOARD TO BOARD CONNECTOR, 50 POSITION, RECEPTACLE, MATING HEIGHT 5.5 MM.
0 PLC ± 0.5		PRODUCT SPEC	108-57761		
1 PLC ± 0.3		APPLICATION SPEC	-		SIZE
2 PLC ± 0.2		MATERIAL	SEE NOTE	WEIGHT	CAGE CODE
3 PLC ± 0.15		FINISH	SEE NOTE	0.602 GRAMS	A300779
4 PLC ± -					DRAWING NO
ANGLES ± 3°					C=1759899
MATERIAL					RESTRICTED TO
SEE NOTE					-
		CUSTOMER DRAWING			SCALE
					-
					SHEET
					1 OF 2
					REV
					C

THIS DRAWING IS UNPUBLISHED. RELEASED FOR PUBLICATION  
 © COPYRIGHT BY TYCO ELECTRONICS CORPORATION. ALL RIGHTS RESERVED.

LOC	DIST	REVISIONS					
DW	—	P	LTR	DESCRIPTION	DATE	DWN	APVD
				SEE SHEET 1.			



- NOTES:
- MATERIAL:  
 BOX: FIBREBOARD, CORRUGATED, DOUBLE WALL.  
 COVER TAPE: POLYSTYRENES, 120°C HEAT-RESISTANT TEMPERATURE, TRANSPARENT COLOR.  
 CARRIER TAPE: POLYSTYRENES, 120°C HEAT-RESISTANT TEMPERATURE, TRANSPARENT COLOR.  
 REEL: HIPS, 70°C HEAT-RESISTANT TEMPERATURE, BLUE COLOR.  
 BAG: POLYETHYLENES, 100°C HEAT-RESISTANT TEMPERATURE, TRANSPARENT COLOR.
  - EACH BAG SHALL BE INCLUDED DESICCANT.
  - PEELING STRENGTH: 0.1 ~ 1.3 N (10 ~ 130 GRAMS).
  - PEELING SPEED: 300 mm/min.

1000	5	5000 PCS	5.5 KG	3.01 KG
PCS/TAPE	REELS/BOX	QUANTITY	GROSS WEIGHT	NET WEIGHT

THIS DRAWING IS A CONTROLLED DOCUMENT.		DWN A. WU 04MAY2009	Tyco Electronics Corporation Taipei, Taiwan	
DIMENSIONS: MM		CHK S. CHIEN 04MAY2009	NAME <b>0.6 MM PITCH BOARD TO BOARD CONNECTOR, 50 POSITION, RECEPTACLE, MATING HEIGHT 5.5 MM.</b>	
TOLERANCES UNLESS OTHERWISE SPECIFIED:		APVD W. KODAMA 04MAY2009	SIZE A3	
0 PLC ± -		PRODUCT SPEC	CAGE CODE 00779	DRAWING NO C-1759899
1 PLC ± -		APPLICATION SPEC	RESTRICTED TO	
2 PLC ± -		WEIGHT	—	
3 PLC ± -		CUSTOMER DRAWING	SCALE	SHEET
4 PLC ± -			—	2 OF 2
ANGLES ± -				REV C
FINISH				