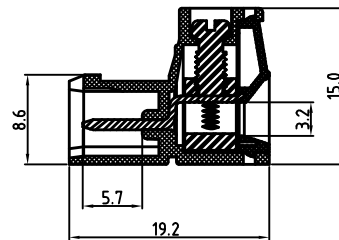
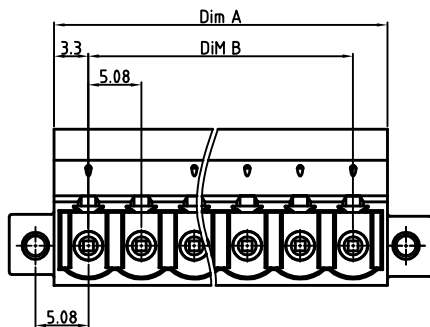
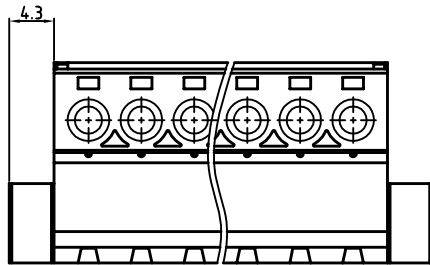


SIGN	DATE	DESCRIPTION	APPROVER

THIS IS CAD DRAWING, DO NOT REVISE MANUALLY!!!



Material

- Insulator (Body):Thermoplastic (UL94V-0)
- Insulator (Cover):Thermoplastic (UL94V-0)
- Terminal screw:Steel Zinc plating "-" slot type
- Terminal body:Brass(CuZn) Zinc plating
- Contact Pin: Brass, Tin plated
- Flange nut: Brass

Electrical

- Voltage rating: 300VAC
- Current rating: 20A
- Wire range:
Solid wire(AWG): 12-22
Stranded wire(AWG): 12-22
- Torque: 4Lb-In
- Screw: M3
- Wire strip length: 7-8mm
- Withstanding Voltage: 1.6KV
- Operating temperature: -40°C to +115°C

RoHS Compliant

PART NUMBER:

OSTV8XX5151

No. of Poles
02 2 Poles
03 3 Poles
...
24 24 Poles

COLOR
0: Black
5: Green (Standard)
6: Blue
8: Grey

Poles	2	3	4	5	6	7	8	9	10	11	12	13
Dim A	11.66	16.74	21.82	26.90	31.98	37.06	42.14	47.22	52.30	57.38	62.46	67.54
Dim B	5.08	10.16	15.24	20.32	25.40	30.48	35.56	40.64	45.72	50.80	55.88	60.96
TOL	±0.15						±0.20					
Poles	14	15	16	17	18	19	20	21	22	23	24	
Dim A	72.62	77.70	82.78	87.86	92.94	98.02	103.10	108.18	113.26	118.34	123.42	
Dim B	66.04	71.12	76.20	81.28	86.36	91.44	96.52	101.60	106.68	111.76	116.84	
TOL	±0.30						0.4					



TITLE		OSTV8 5.08 Series With flange A				
PART NO.	OSTV8XX5151	DWG NO.	OSTV8XX5151.DWG			
APPROVED	CHECKED	DESIGNED	DRAWN	CUST NO.	Tolerance	
Seamus	Seamus	Seamus	Tason		X. ±0.50	
2008.10.17	2008.10.17	2008.10.17	2007.10.30		X.X ±0.30	
					UNIT: mm	X.XX ±0.10
					SHEET: 01/01	SCALE: NONE
				REV: A		