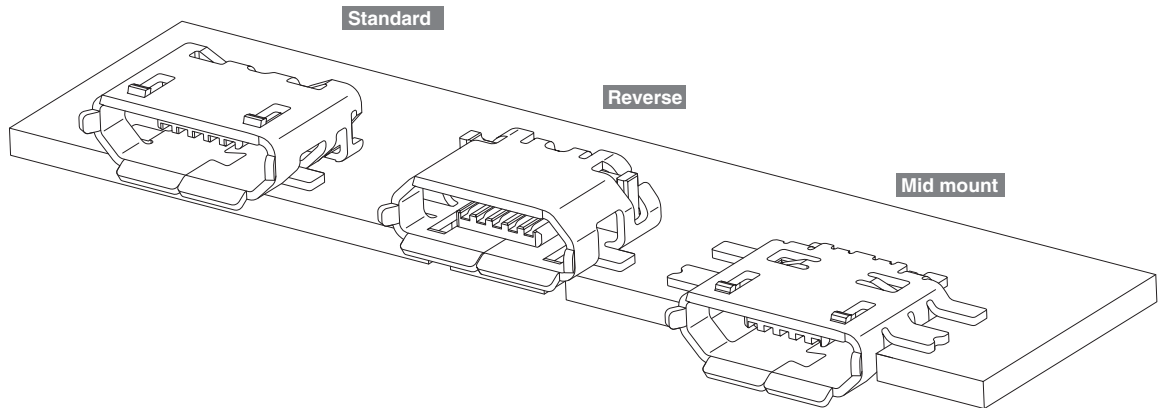


UB CONNECTOR Micro USB

USB (Universal Serial bus) Conforming Connector



This connector is an interface connector for cellular phone and other mobile equipments conforming to Micro USB standard.

- *It is a space saving design of about 50% reduction in mounting area compared with Mini USB. (Standard B type)*
- *10,000 cycles of mating/unmating is guaranteed.*
- **Variations**
- **SMT configuration**

Specifications

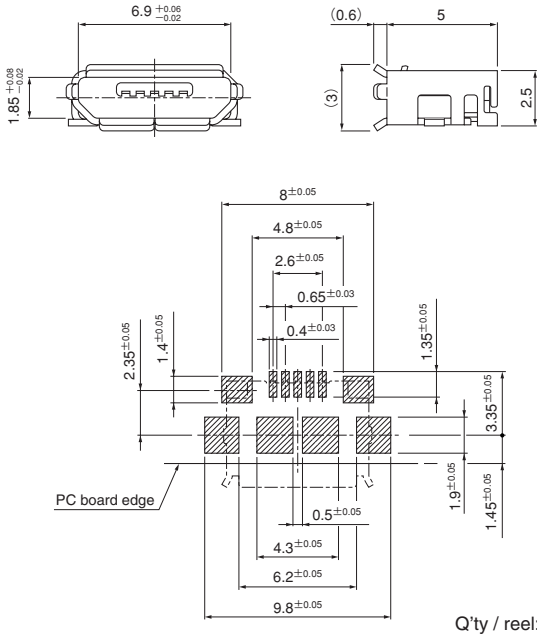
- Current rating: Only signal line
Signal line (No. 2 to 4-circuit): 1.0A AC, DC/Line
: Power supply line
Power supply line (No. 1, 5-circuit): 1.8A AC, DC/Line
Signal line (No. 2 to 4-circuit): 0.5A AC, DC/Line
- Voltage rating: 30V AC, DC
- Temperature range: -30°C to +85°C
(including temperature rise in applying electrical current)
- Contact resistance: Initial value/30mΩ max.
After environmental testing/10mΩ max.
(variation from initial value)
- Insulation resistance: 1,000MΩ min.
- Withstanding voltage: 100V AC/minute
- * Compliant with RoHS.
- * Refer to "General Instruction and Notice when using Terminals and Connectors" at the end of this catalog.
- * Contact JST for details.

UB CONNECTOR Micro USB

Receptacle

Standard B type

TID No.: 60001357



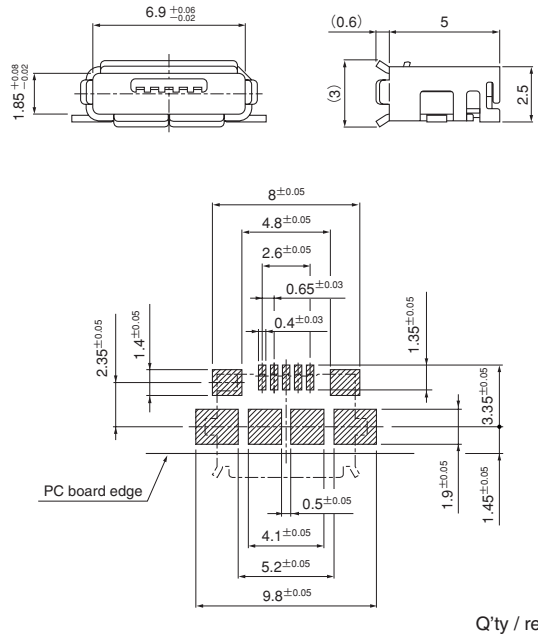
Q'ty / reel: 3,000

Model No.	Material and Finish
UB-MC5BR3-SD204-4S NMP	Contact: Copper alloy, nickel-undercoated, gold-plated
	Housing: Thermoplastic resin, UL94V-0, black
	Shell: Stainless, nickel-undercoated, tin-plated

RoHS compliance

Standard AB type

TID No.: 60001359



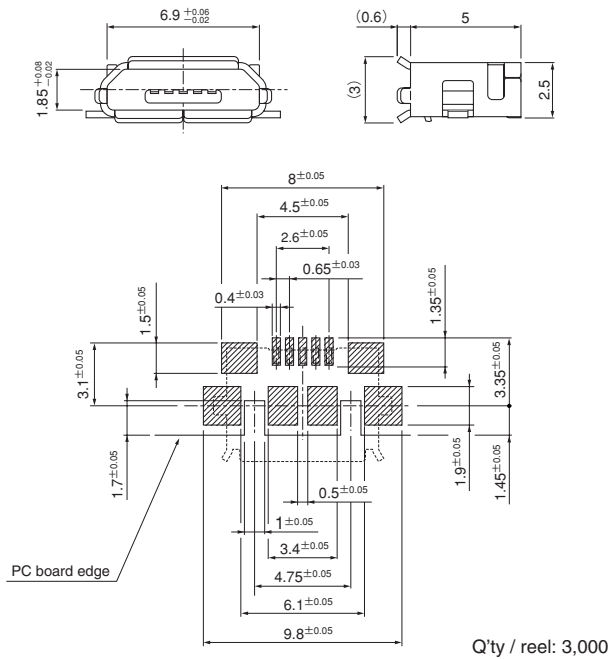
Q'ty / reel: 3,000

Model No.	Material and Finish
UB-MC5ABR3-SD204-4S NMP	Contact: Copper alloy, nickel-undercoated, gold-plated
	Housing: Thermoplastic resin, UL94V-0, gray
	Shell: Stainless, nickel-undercoated, tin-plated

RoHS compliance

Reverse B type

TID No.: 60001356



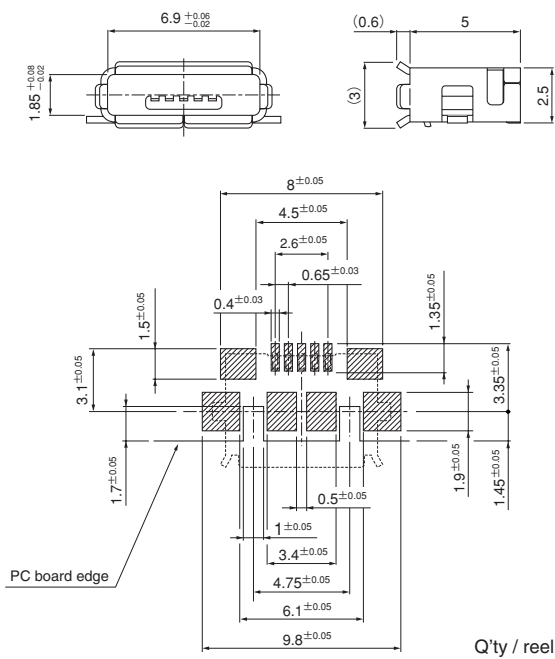
Q'ty / reel: 3,000

Model No.	Material and Finish
UB-MC5BR3-RS04-4S-1 NMP	Contact: Copper alloy, nickel-undercoated, gold-plated
	Housing: Thermoplastic resin, UL94V-0, black
	Shell: Stainless, nickel-undercoated, tin-plated

RoHS compliance

Reverse AB type

TID No.: 60001358



Q'ty / reel: 3,000

Model No.	Material and Finish
UB-MC5ABR3-RS04-4S-1 NMP	Contact: Copper alloy, nickel-undercoated, gold-plated
	Housing: Thermoplastic resin, UL94V-0, gray
	Shell: Stainless, nickel-undercoated, tin-plated

RoHS compliance

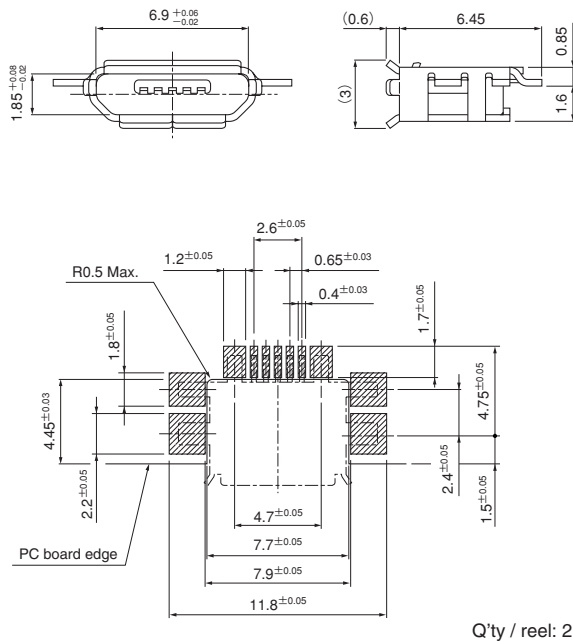
UB CONNECTOR Micro USB

Receptacle

Mid mount B type

Mounting height: 0.85mm

TID No.: 60001355



Q'ty / reel: 2,000

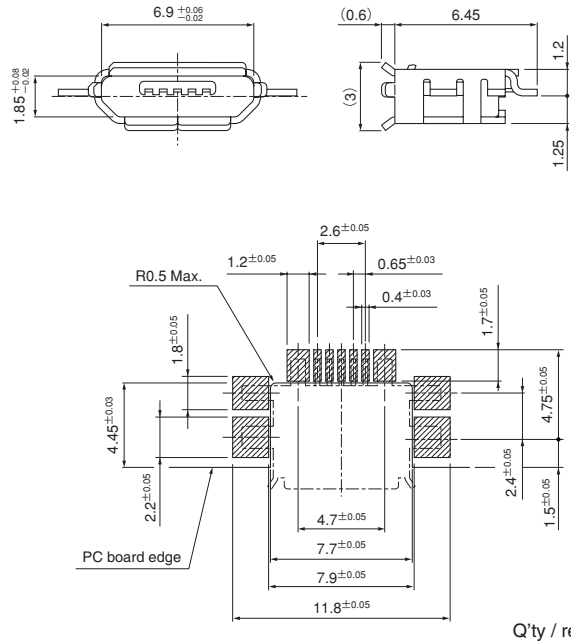
Model No.	Material and Finish
UB-MC5BR3-M04-4S NMP	Contact: Copper alloy, nickel-undercoated, gold-plated Housing: Thermoplastic resin, UL94V-0, black Shell: Stainless, nickel-undercoated, tin-plated

RoHS compliance

Mid mount B type

Mounting height: 1.2mm

TID No.: 62001355



Q'ty / reel: 2,000

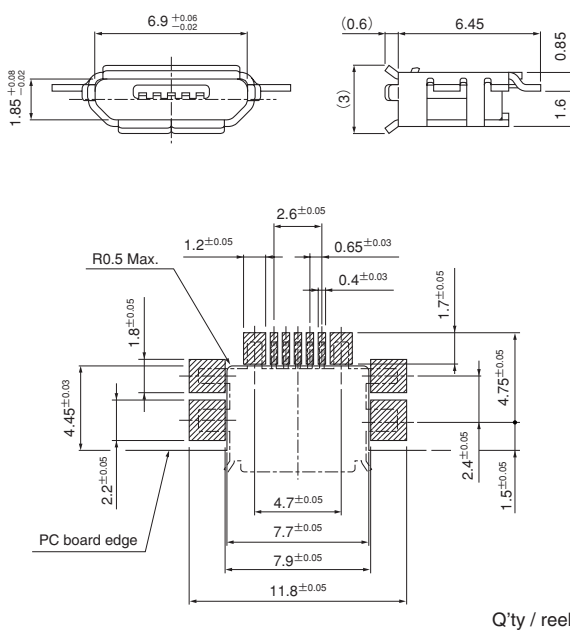
Model No.	Material and Finish
UB-MC5BR3-M404-4S NMP	Contact: Copper alloy, nickel-undercoated, gold-plated Housing: Thermoplastic resin, UL94V-0, black Shell: Stainless, nickel-undercoated, tin-plated

RoHS compliance

Mid mount AB type

Mounting height: 0.85mm

TID No.: 60001365



Q'ty / reel: 2,000

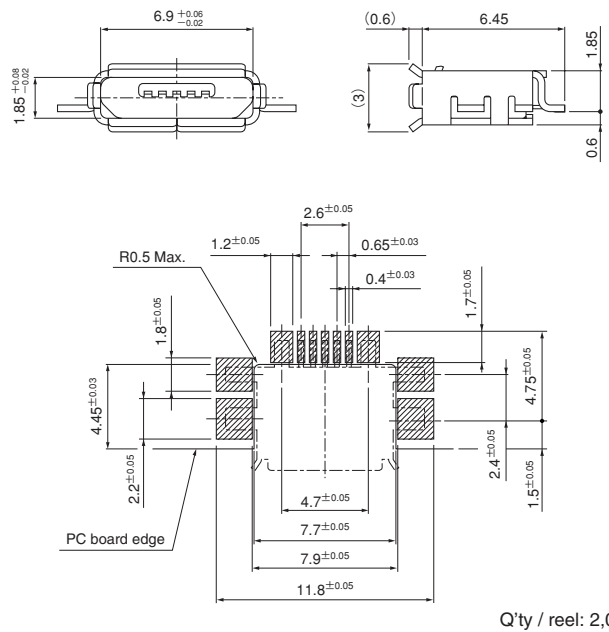
Model No.	Material and Finish
UB-MC5ABR3-M04-4S NMP	Contact: Copper alloy, nickel-undercoated, gold-plated Housing: Thermoplastic resin, UL94V-0, gray Shell: Stainless, nickel-undercoated, tin-plated

RoHS compliance

Mid mount AB type

Mounting height: 1.85mm

TID No.: 63001355



Q'ty / reel: 2,000

Model No.	Material and Finish
UB-MC5ABR3-M204-4S NMP	Contact: Copper alloy, nickel-undercoated, gold-plated Housing: Thermoplastic resin, UL94V-0, gray Shell: Stainless, nickel-undercoated, tin-plated

RoHS compliance