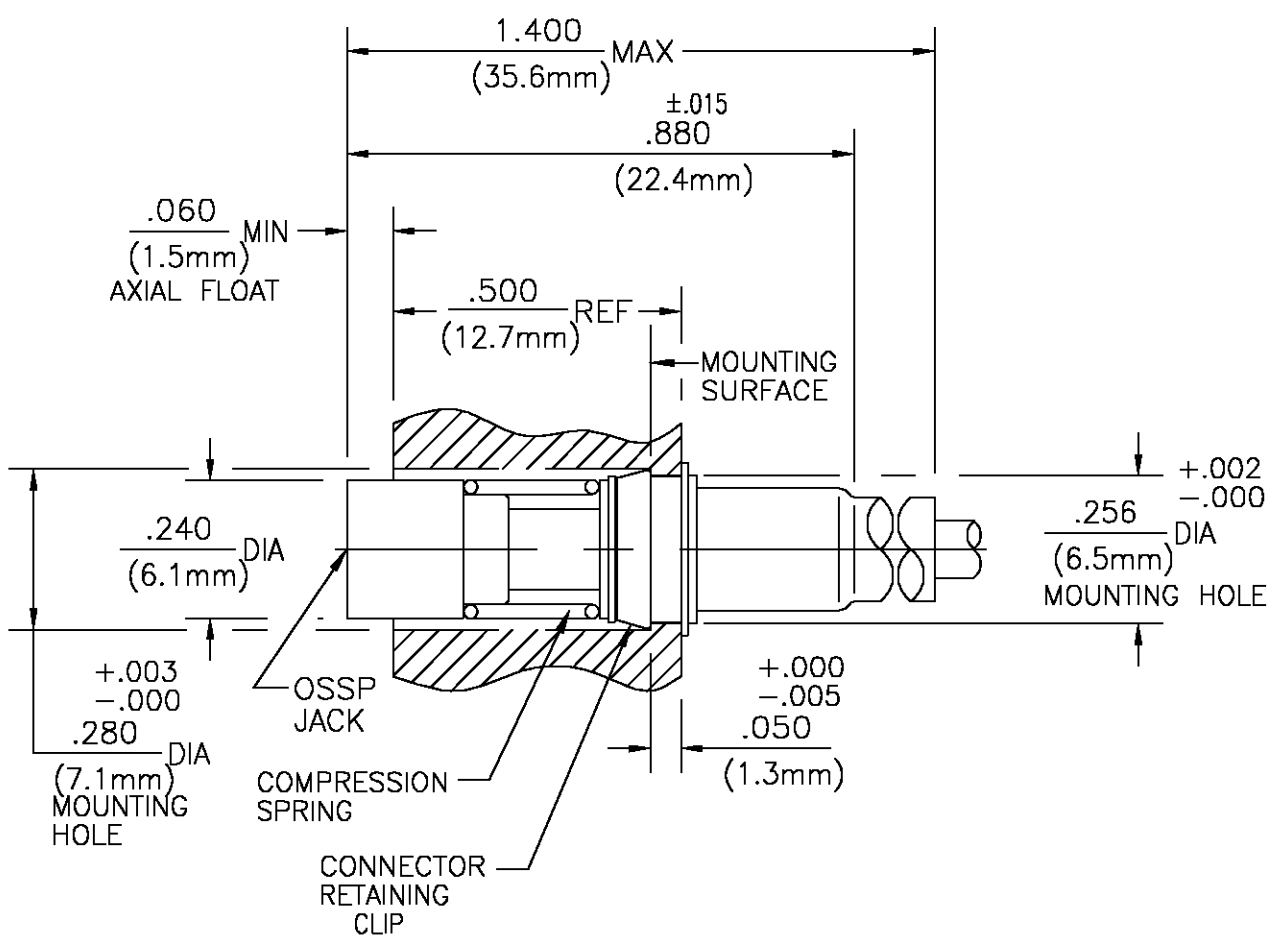


THIS DRAWING IS UNPUBLISHED. RELEASED FOR PUBLICATION
 © COPYRIGHT BY TYCO ELECTRONICS CORPORATION. ALL RIGHTS RESERVED.

LOC	DIST	REVISIONS					
HC	00	P	LTR	DESCRIPTION	DATE	DWN	APVD
		B		REVISED PER 0S14-0174-03.	13AUG03	JGH	JGH



CABLE ENTRY DIAMETER MINIMUM	
CONTACT	.021
HOUSING	.061
FERRULE	.125

NOTE: DESIGNED FOR USE WITH RG174/U, 179, 187, 188 & 316 FLEXIBLE CABLES

ELECTRICAL	MECHANICAL	ENVIRONMENTAL
NOMINAL IMPEDANCE (OHMS) <u>50±1</u>	Interface Dimensions <u>SEE TYCO ELECTRONICS CATALOG</u>	TEMPERATURE RANG <u>-65° TO +125°C</u>
Frequency Range (GHz) <u>DC to 3</u>	Mating Characteristics:	Vibration MIL-STD-202, Method 204, Condition D
Volt Rating (VRMS MAX) @ Sea Level <u>250</u>	Insertion (MAX Lbs) <u>3</u>	Shock MIL-STD-202, Method 213, Condition I
VSWR <u>1.20+.025f(GHz)</u>	Withdrawal (MIN Oz) <u>0.5</u>	Thermal Shock MIL-STD-202, Method 107, Condition B
Insertion Loss (dB MAX) <u>.07x√f(GHz)</u>	Force to Engage (In/Lbs MAX) <u>3</u> & Disengage (In/Lbs MAX) <u>1.5</u>	Moisture Resistance MIL-STD-202, Method 106
RF Leakage (dB MIN) (Interface Only, Fully Mated) <u>-(90-f(GHz))</u>	Center Contact Captivation	Corrosion - MIL-STD-202, Method 101, Condition B
Corona, 70,000 Ft (VRMS MIN) <u>190</u>	Axial (Lbs) <u>4</u>	
Dielectric Withstanding Voltage (VRMS MIN) @ Sea Level <u>750</u>	Cable Retention	
Contact Resistance (Milliohms MAX)	Axial Force (Lbs MIN) <u>20</u>	
Center Contact <u>6.0</u>	Weight (GRAMS) <u>TBD</u>	
Outer Contact <u>3.0</u>		
Cable to Housing <u>0.5</u>		
RF High Potential @ Sea Level (VRMS MIN @ 5 MHz) <u>500</u>		
I.R.(Megohms MIN) <u>5000</u>		

COMPONENT	MATERIAL	FINISH
HOUSING WASHER BUSHING	STAINLESS STEEL PER ASTM-A484 AND ASTM-A582, TYPE 303	GOLD PLATE PER MIL-G-45204 OVER NICKEL PLATE PER QQ-N-290
DIELECTRIC	TFE FLUOROCARBON PER ASTM-D-1457	N/A
CENTER CONTACT	BERYLLIUM COPPER PER ASTM B 196, ALLOY C17300, CONDITION H	GOLD PLATE PER MIL-G-45204 OVER NICKEL PLATE PER QQ-N-290
CONTACT SLEEVE	BERYLLIUM COPPER PER ASTM B 196, ALLOY C17300, CONDITION H	GOLD PLATE PER MIL-G-45204 OVER NICKEL PLATE PER QQ-N-290
RETAINING RING	STAINLESS STEEL	PASSIVATED
CONTACT RING	BERYLLIUM COPPER PER ASTM B 194, ALLOY C17200, CONDITION H	GOLD PLATE PER MIL-G-45204 OVER COPPER PLATE PER MIL-C-14550
SPRING	STAINLESS STEEL	PASSIVATE PER ASTM-A380
RETAINING CLIP	BERYLLIUM COPPER PER ASTM B 194, ALLOY C17200, CONDITION H	GOLD PLATE PER MIL-G-45204
SHRINK TUBING	HEAT SHRINKABLE POLYOLEFIN COMPOUND MIL-I-23053-4	N/A
FERRULE	SOFT COPPER ALLOY	GOLD PLATE PER MIL-G-45204 OVER COPPER PLATE PER MIL-C-14550

THIS DRAWING IS A CONTROLLED DOCUMENT.

DIMENSIONS: INCHES/mm (REF)	TOLERANCES UNLESS OTHERWISE SPECIFIED:
	0 PLC ± -
	1 PLC ± -
	2 PLC ± -
	3 PLC ± .005 (0.13)
	4 PLC ± -
	ANGLES ± 1°
MATERIAL SEE TABLE	FINISH SEE TABLE

DWN B. EDWARDS 1/6/93	tyco Electronics	Tyco Electronics Corporation	
CHK J. HAVENER 13AUG03		Harrisburg, PA 17105-3608	
APVD J. HAVENER 13AUG03		NAME	
PRODUCT SPEC	OSSP FLOATING PANEL FEEDTHRU REAR MOUNT CABLE JACK - CRIMP ATTACHMENT (4740-7388-00)		
APPLICATION SPEC	SIZE	CAGE CODE	DRAWING NO
WEIGHT -	A3	00779	C-1059889-1
CUSTOMER DRAWING	SCALE 3:1	SHEET 1 OF 1	REV B